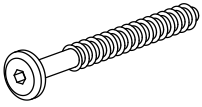

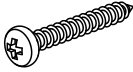


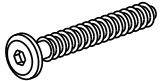
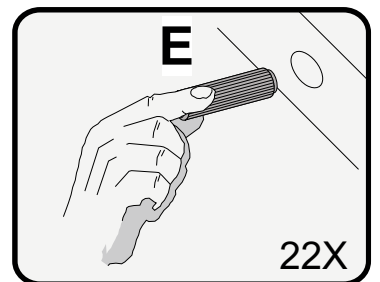
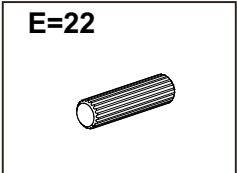
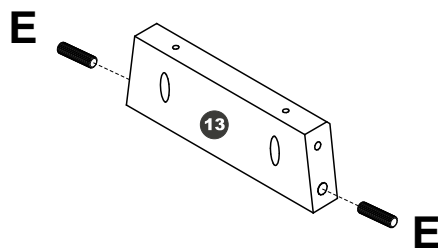
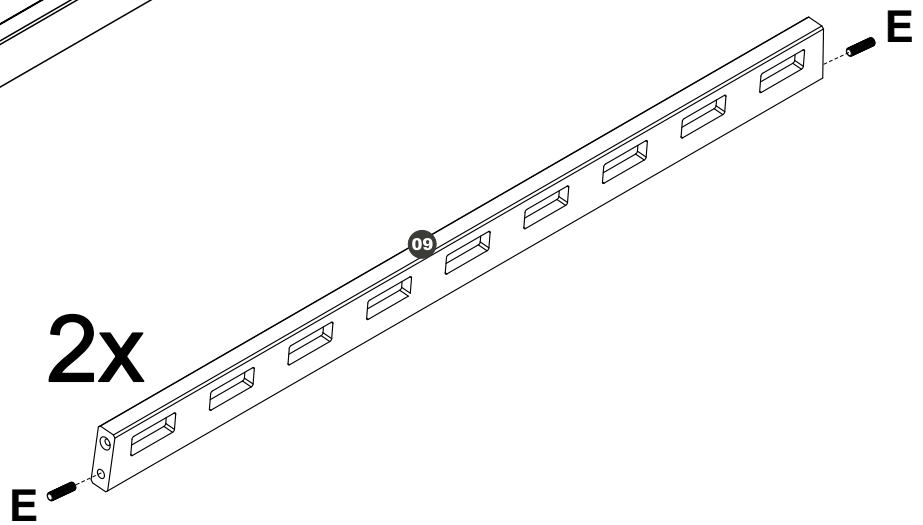
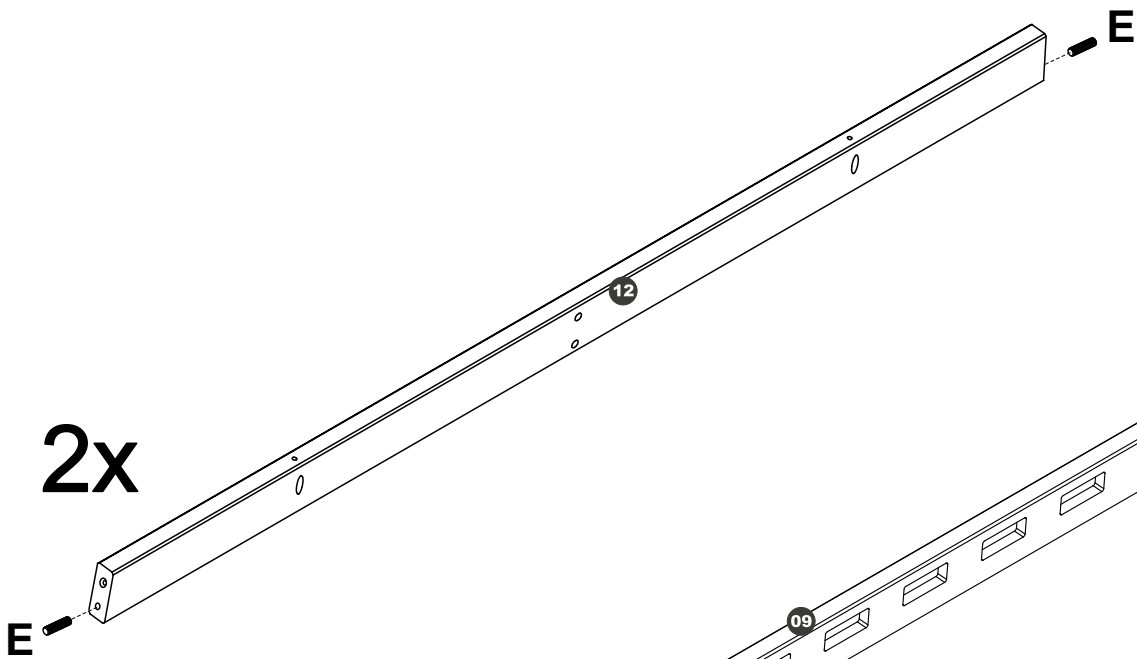
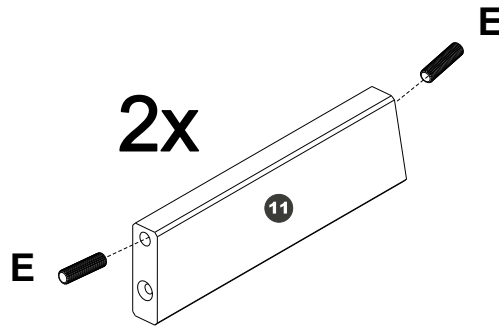
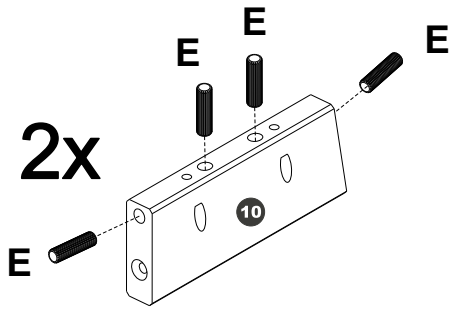
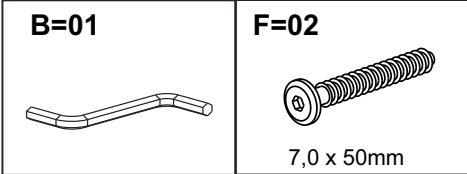
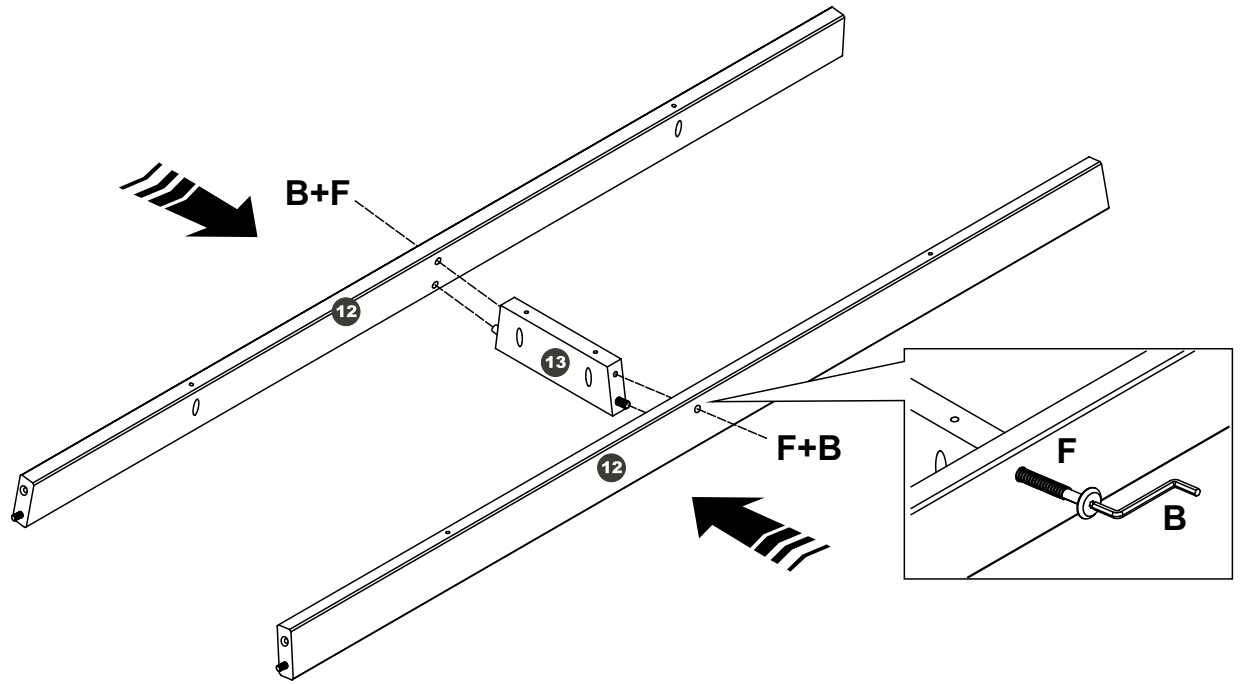


<p>A=16</p>  <p>7,0 x 70mm</p>	<p>B=01</p> 	<p>C=28</p>  <p>4,0 x 35mm</p>	<p>D=04</p> 	<p>E=22</p>  <p>8,0 x 30mm</p>
<p>F=02</p>  <p>7,0 x 50mm</p>				

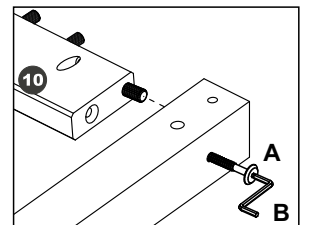
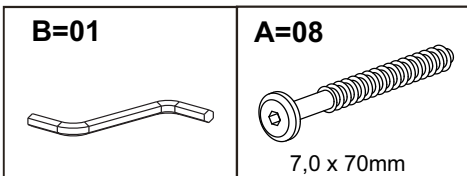
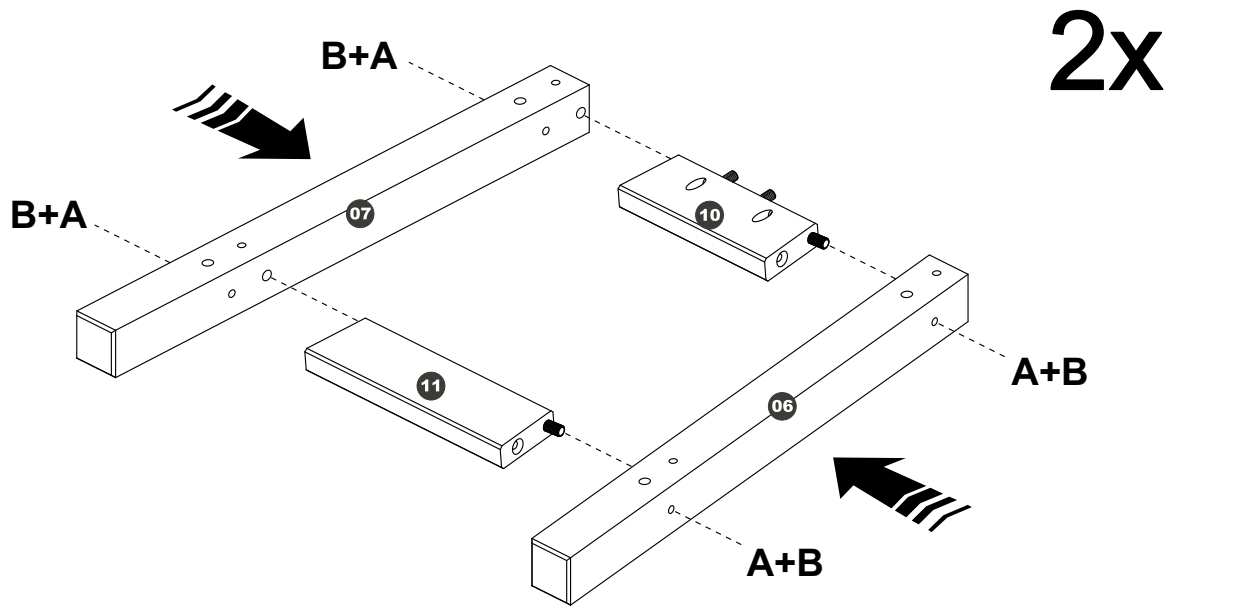
1



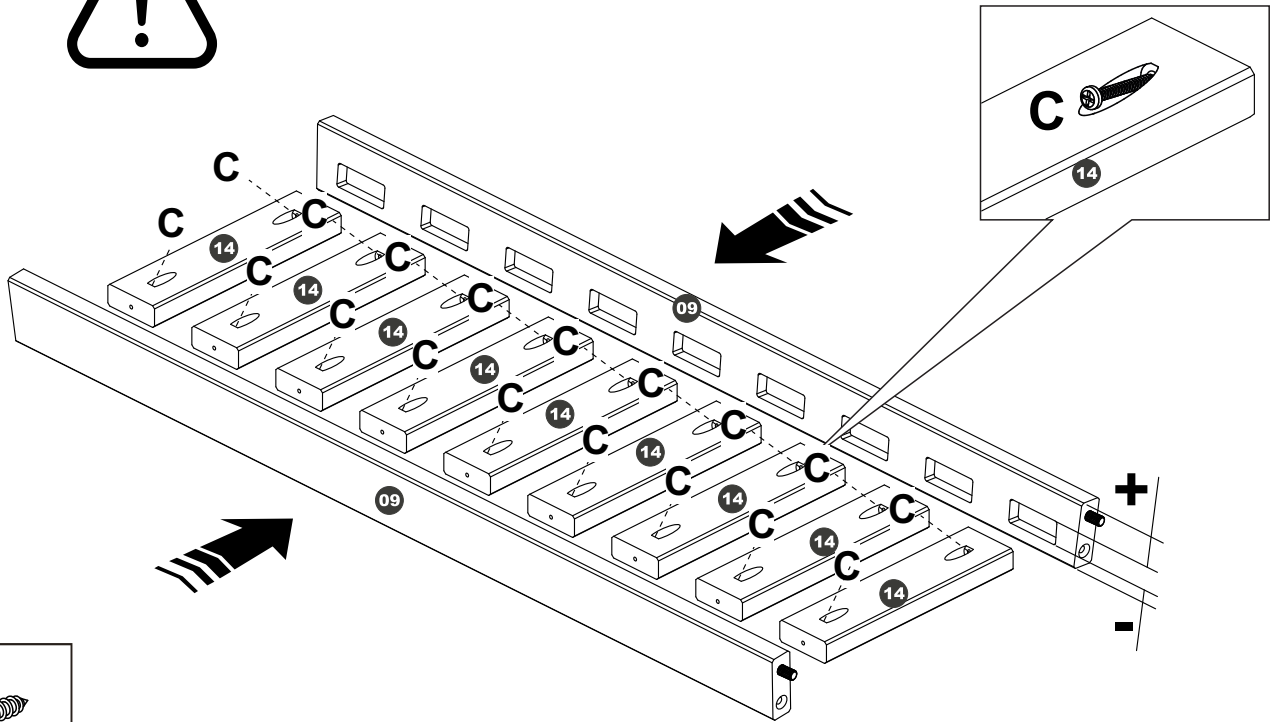
2



3



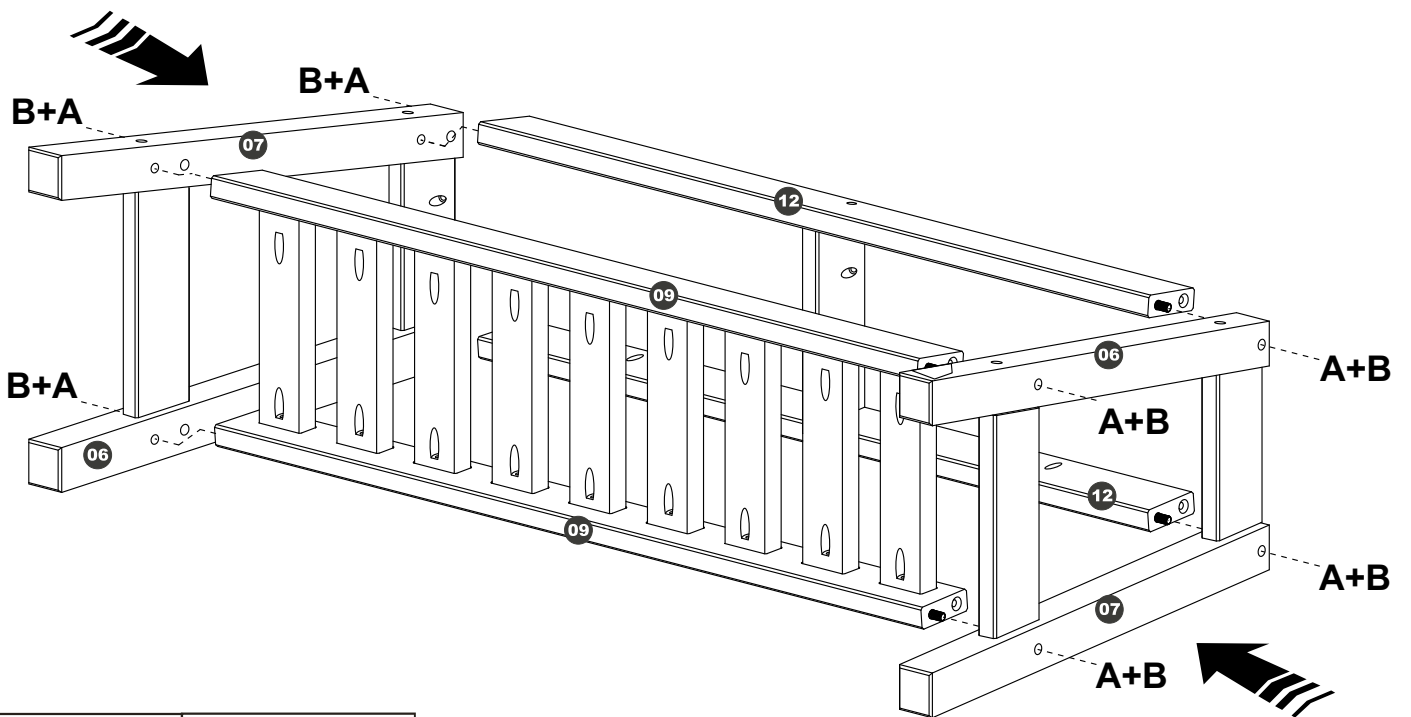
4



C=18

4,0 x 35mm

5



<p>B=01</p>	<p>A=08</p> <p>7,0 x 70mm</p>
--------------------	--------------------------------------

6

