
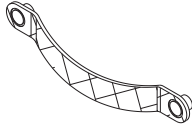
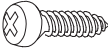
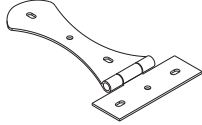
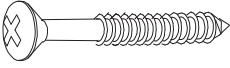



A x 40  Ø8x30mm

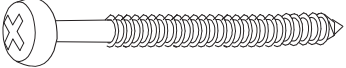
I x 5 

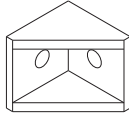
B x 55  Ø3,5x14mm

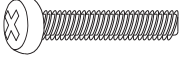
J x 4 

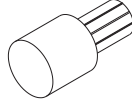
C x 28  Ø3,5x30mm


K x 2  Ka Kb

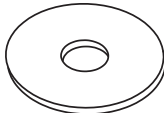
D x 16  Ø4,5x50mm


L x 10 


E x 10  ØM4x16mm


M x 8 

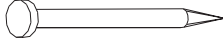
F x 24 

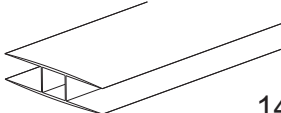
N x 2 

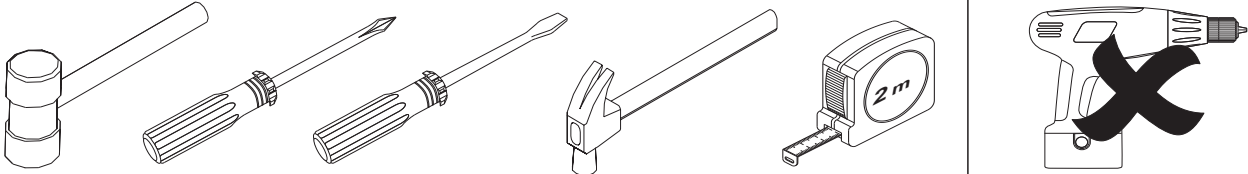
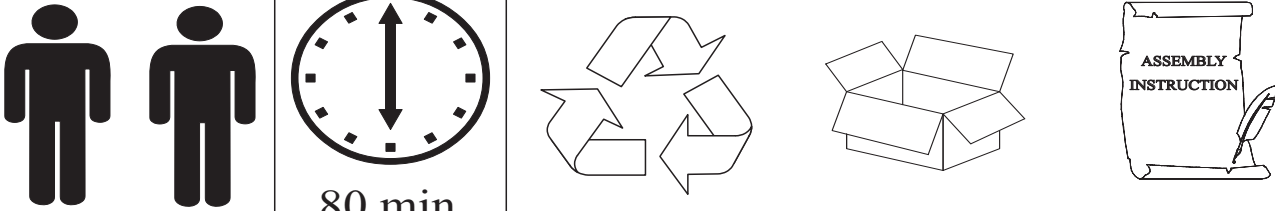
G x 12 

O x 1 

H x 12 

P x 40 

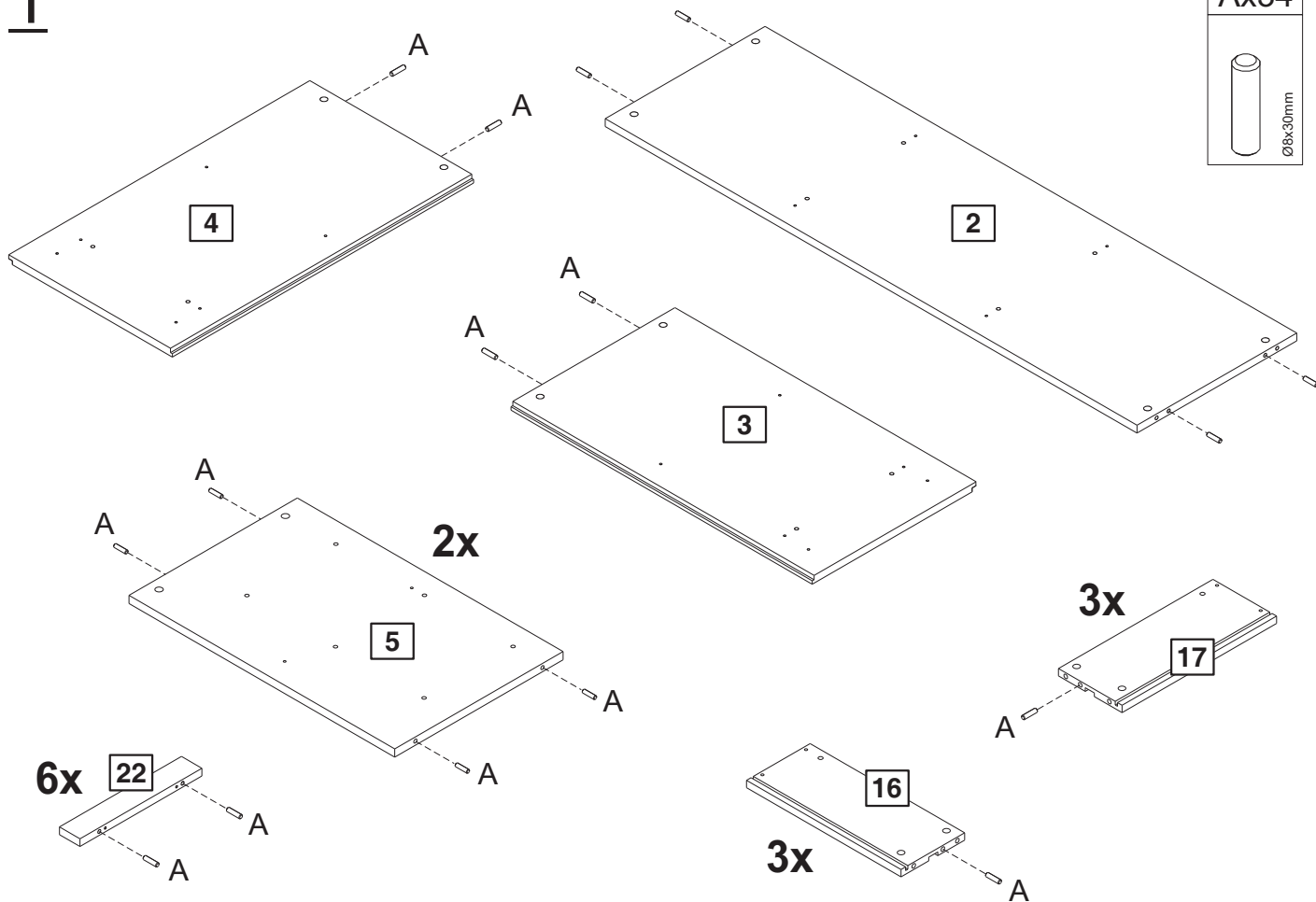
Q x 1  1410mm

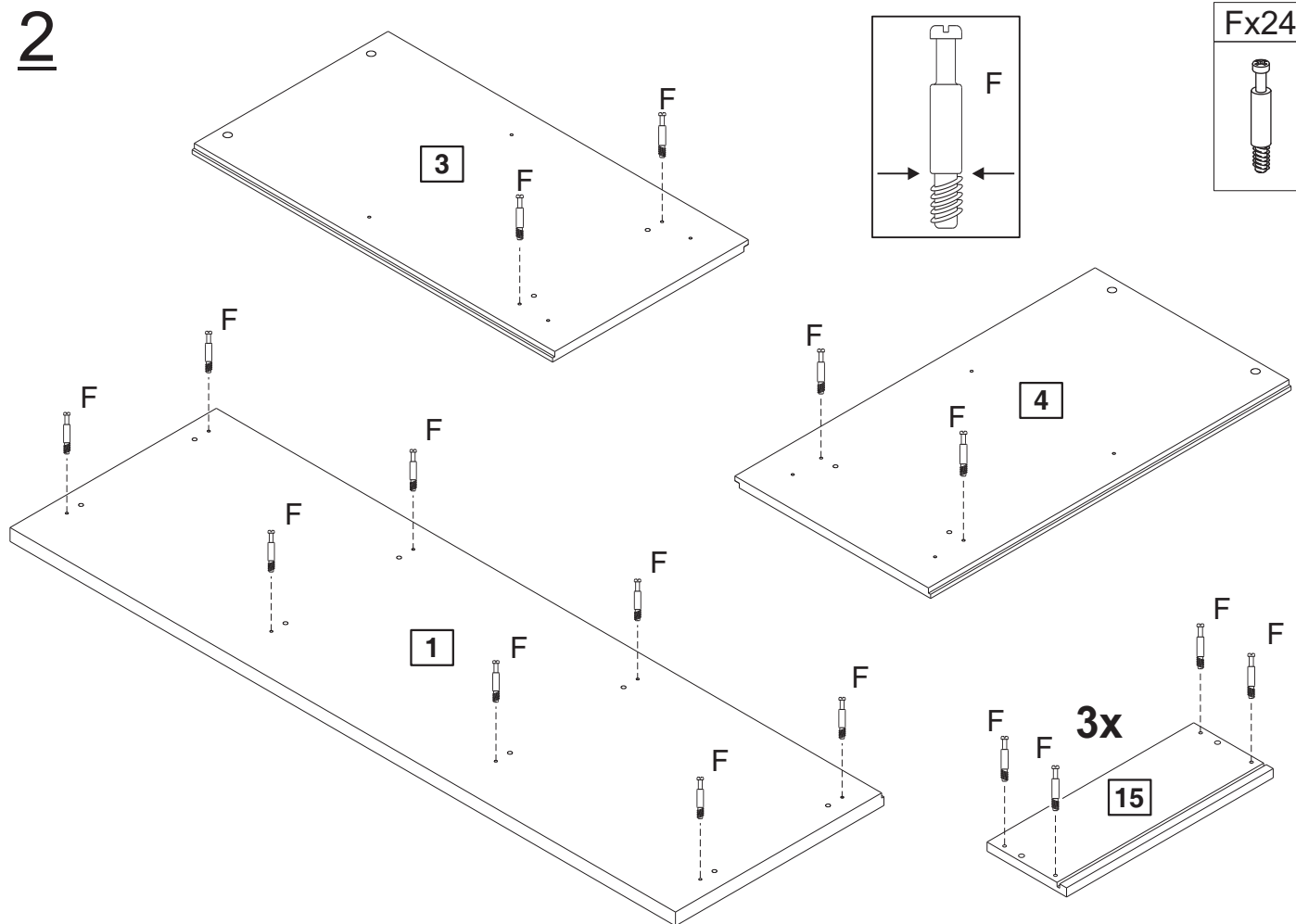
80 min




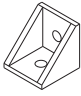
**1**

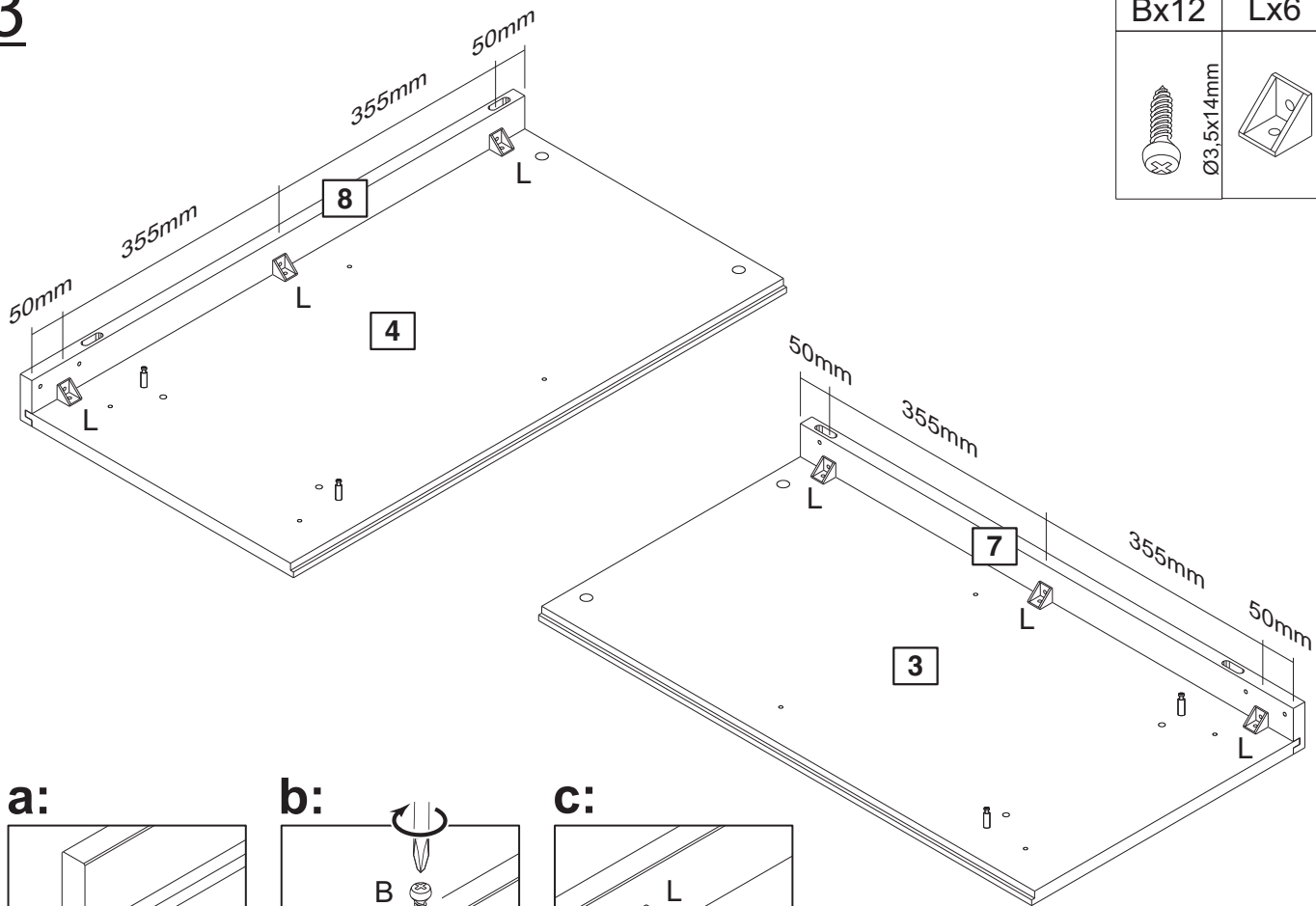


**2**

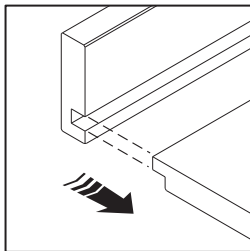


# 3

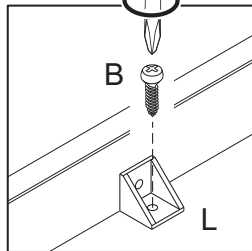
Bx12	Lx6
	
Ø3,5x14mm	



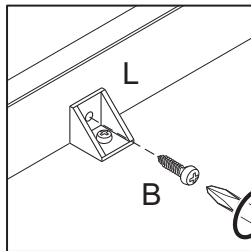
a:




b:

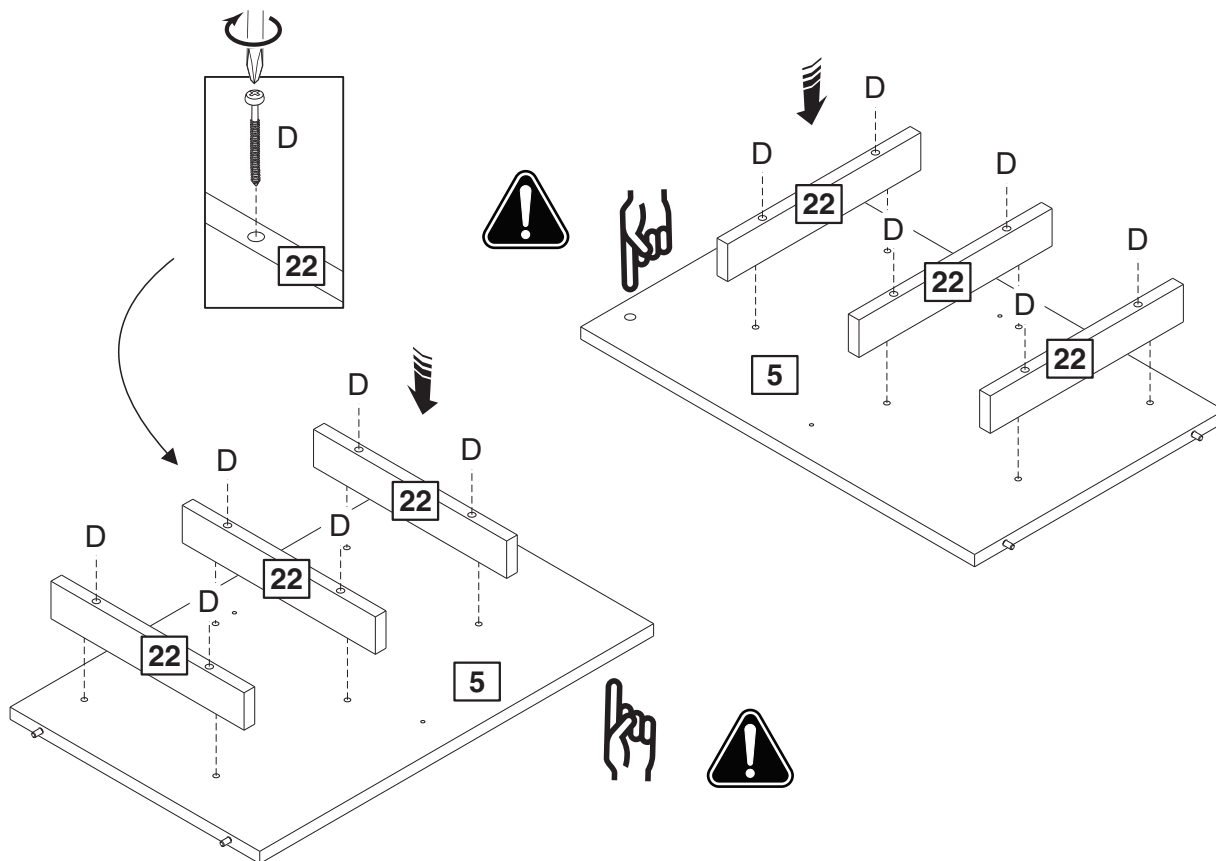


c:

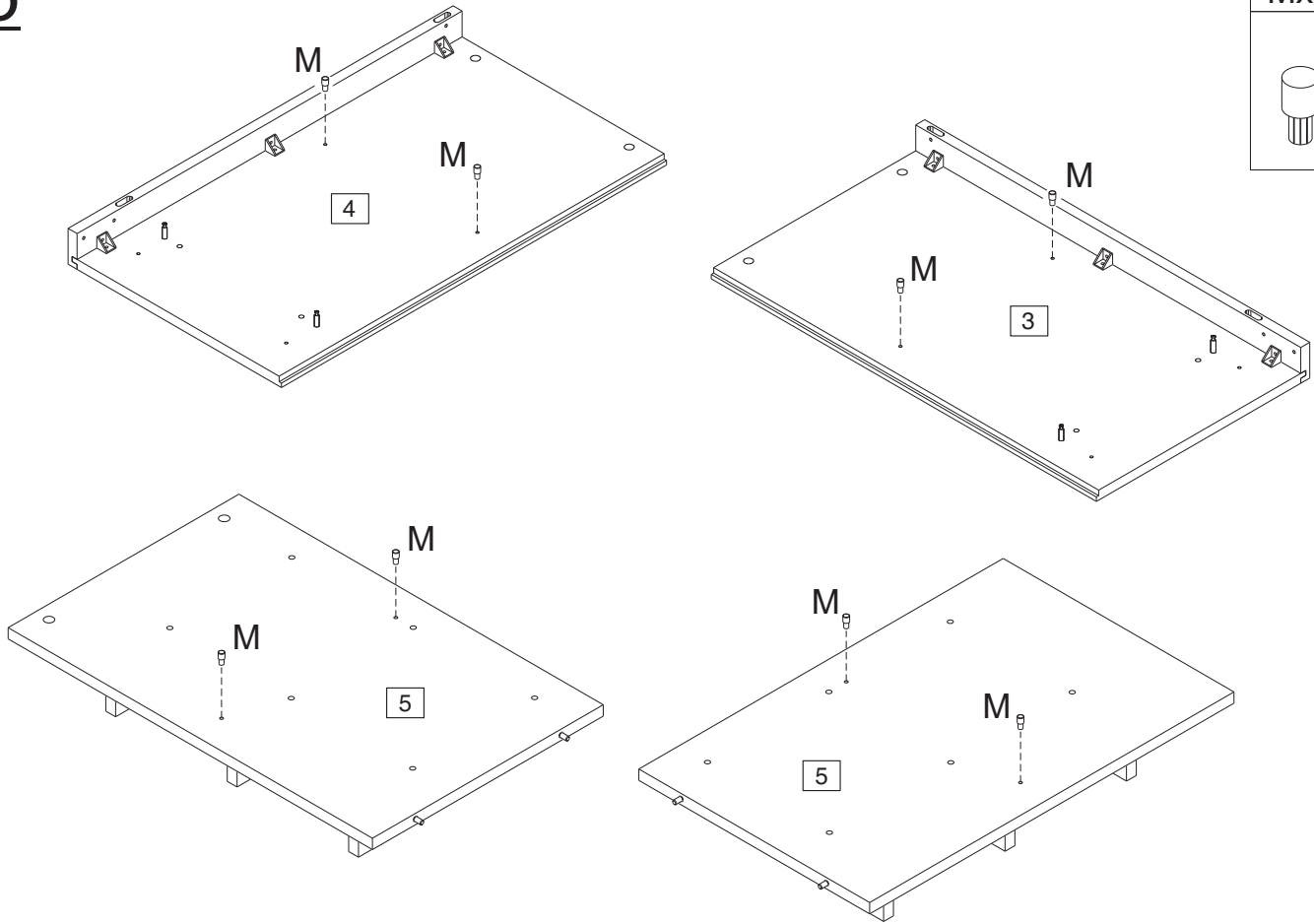
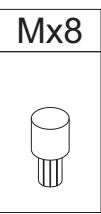


# 4

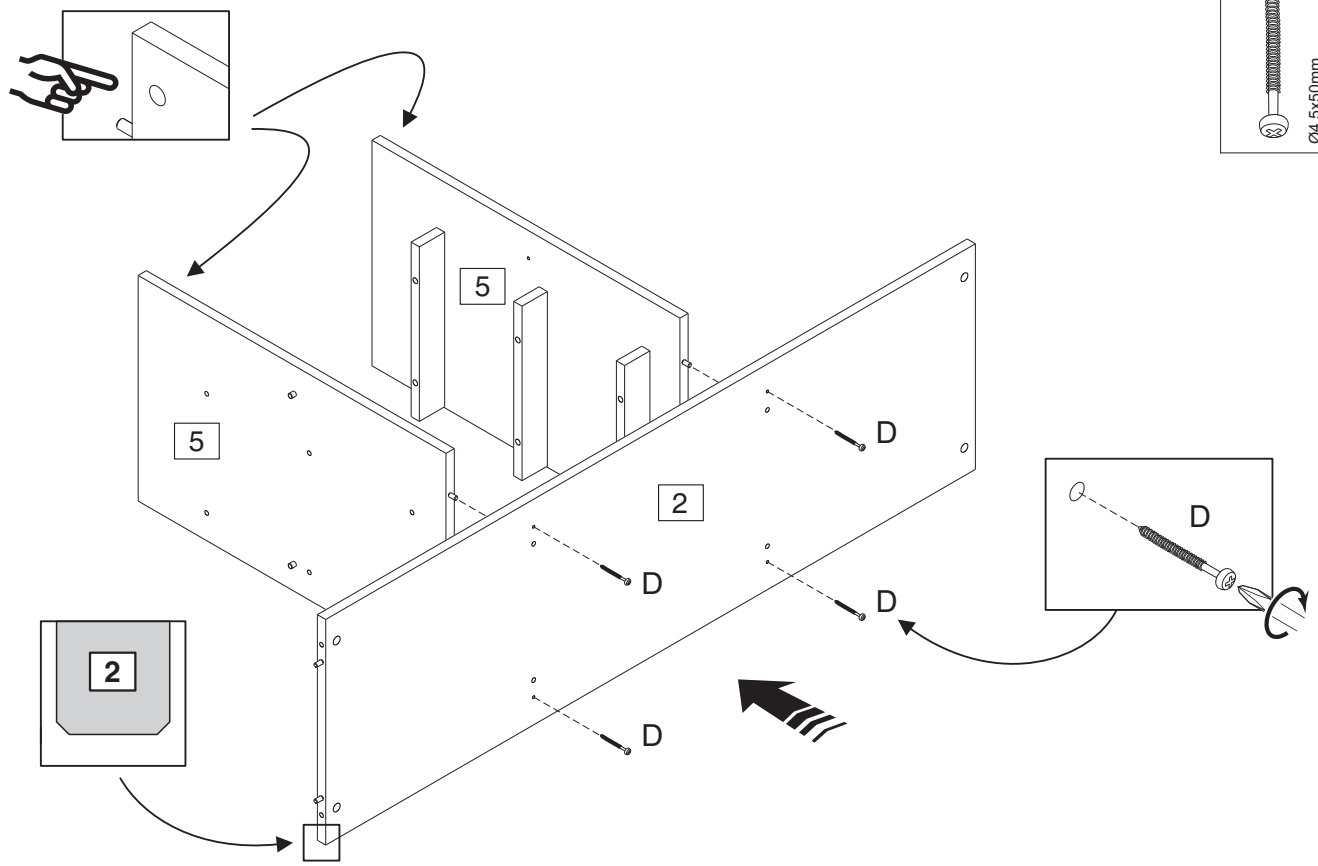
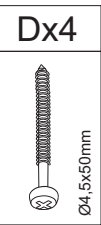
Dx12

Ø4,5x50mm



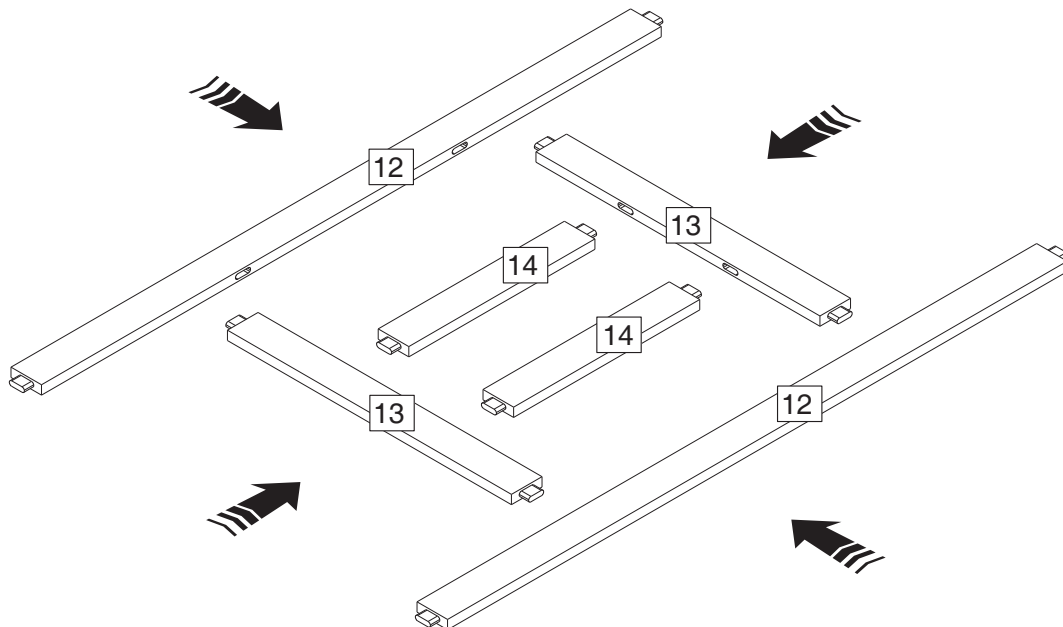
**5**



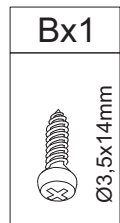
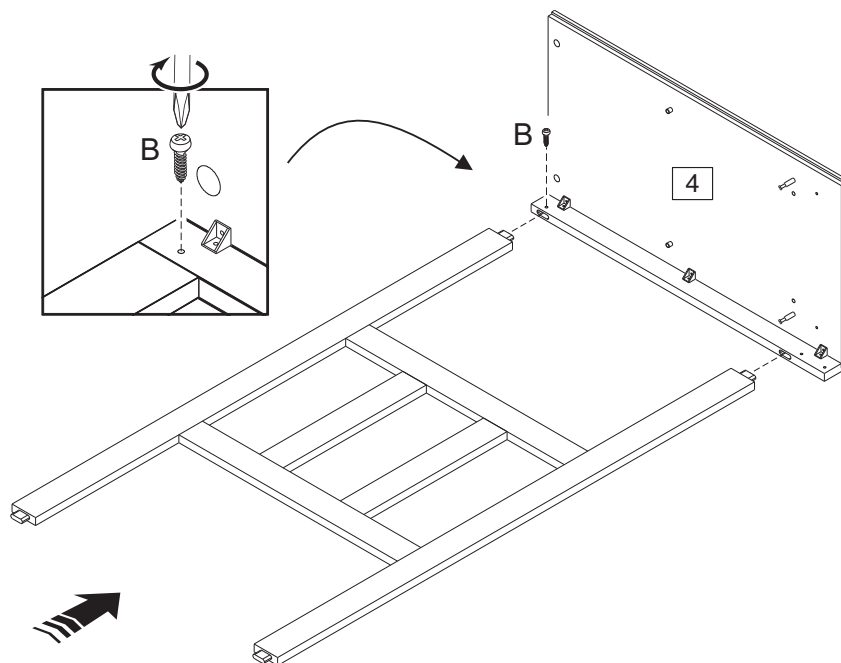
**6**



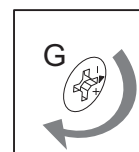
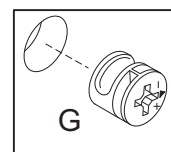
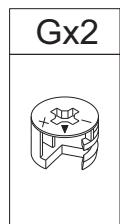
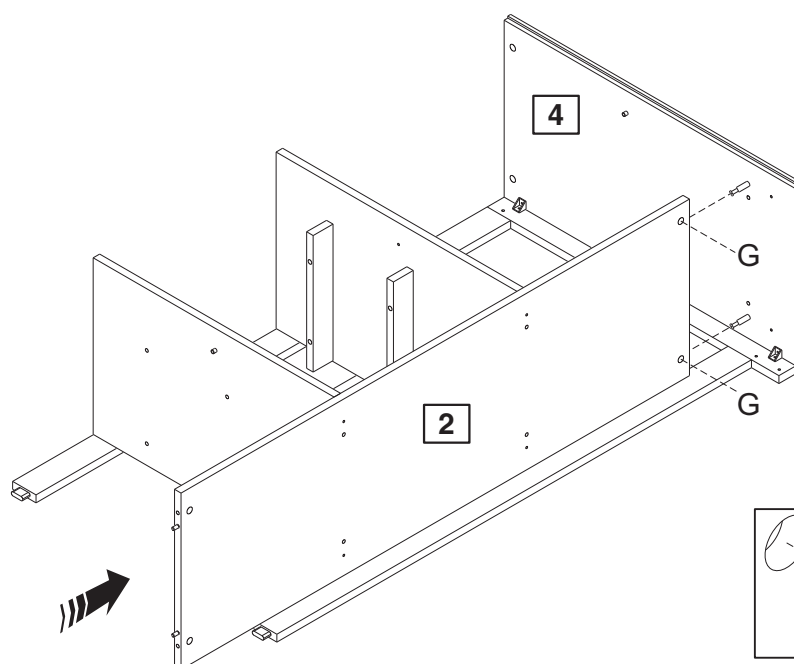
7



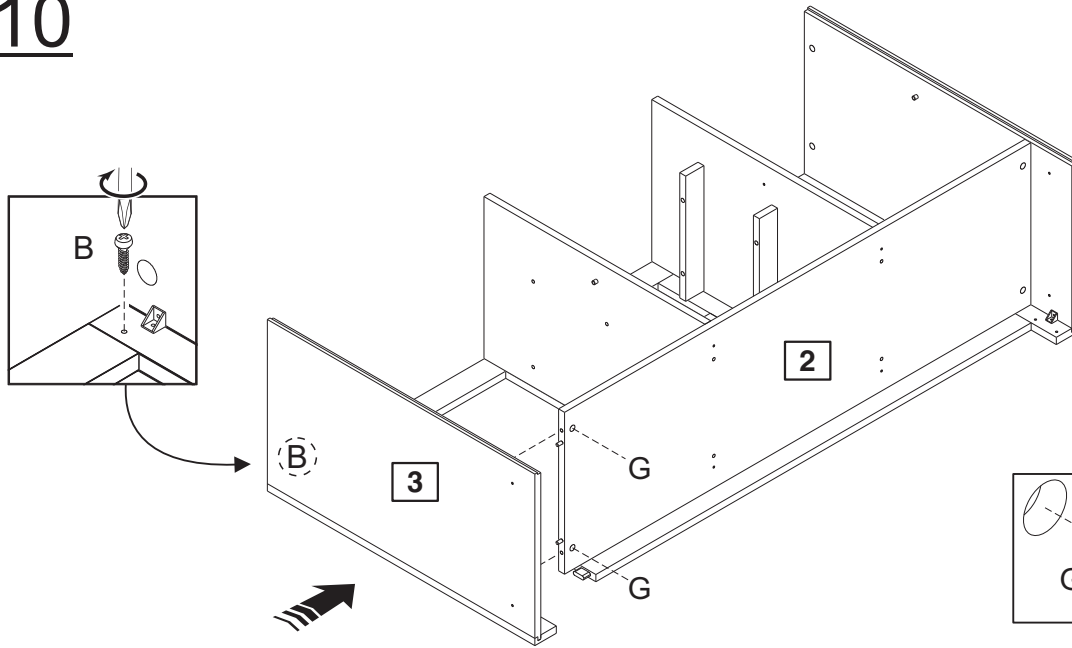
8





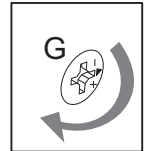
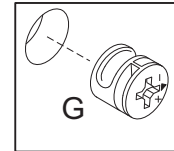
9



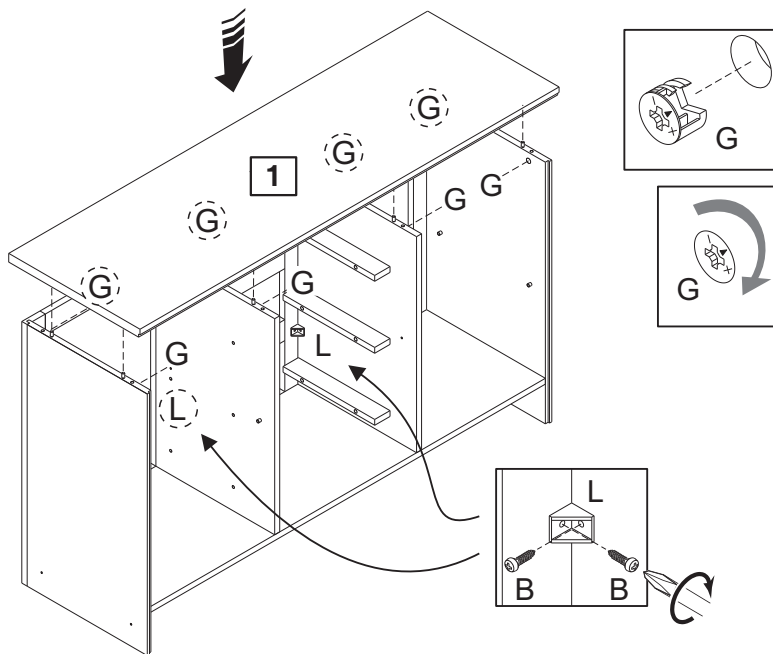
# 10


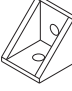
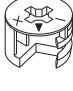


Bx1	Gx2
	
Ø3,5x14mm	

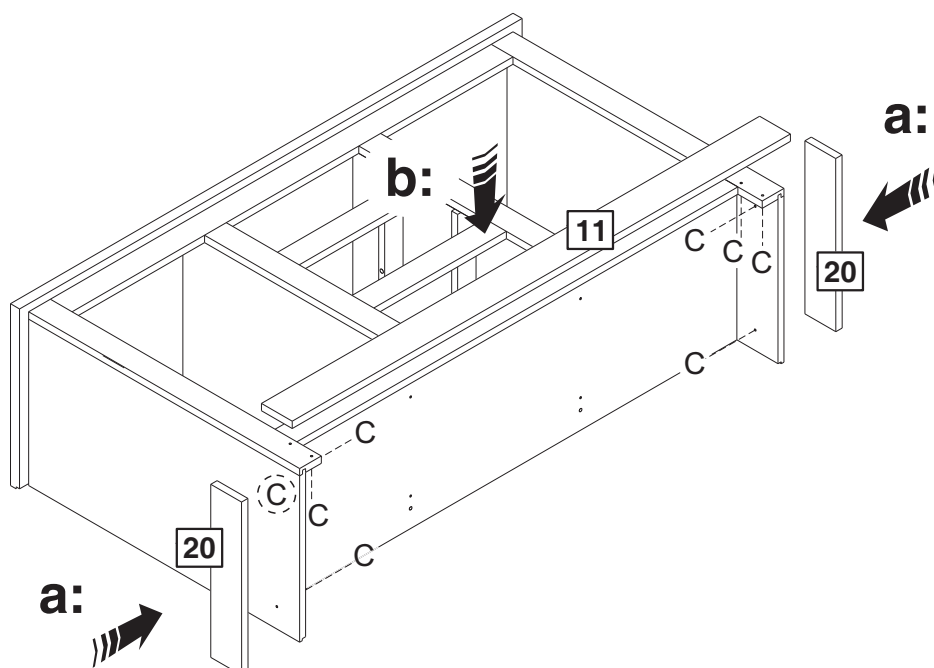


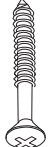
# 11



Bx4	Lx2	Gx8
		
Ø3,5x14mm		


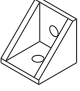
# 12

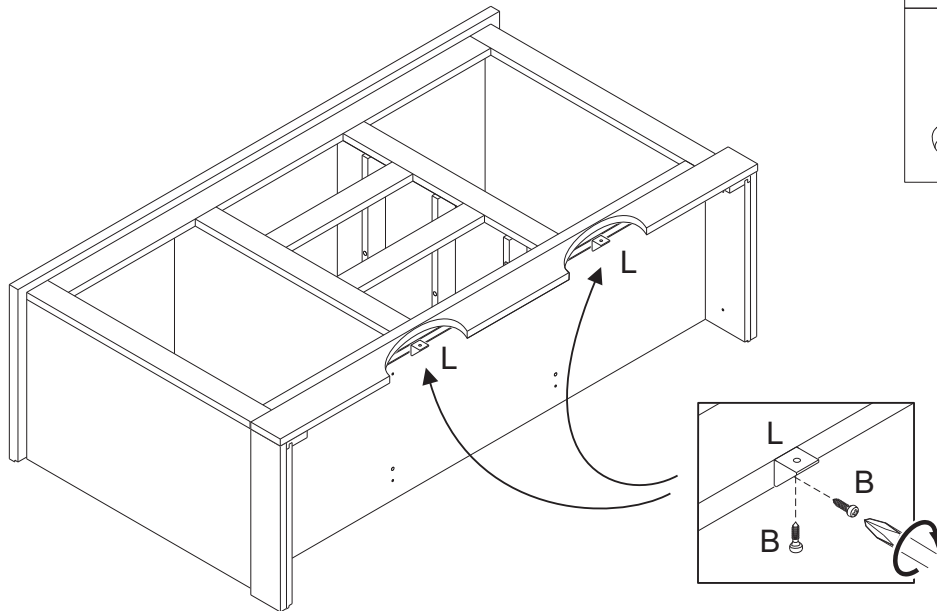


Cx8

Ø3,5x30mm

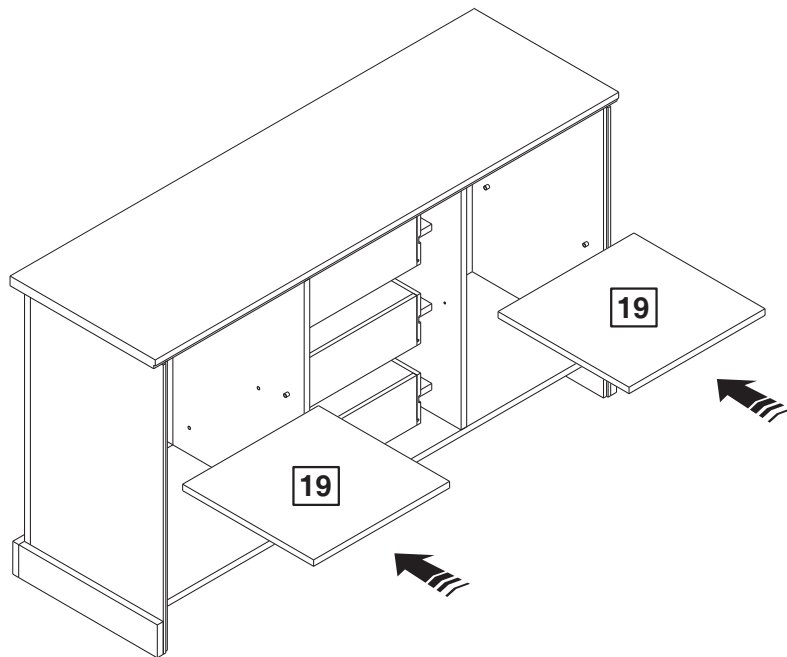


13

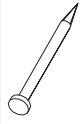

Bx4	Lx2
	
Ø3.5x14mm	

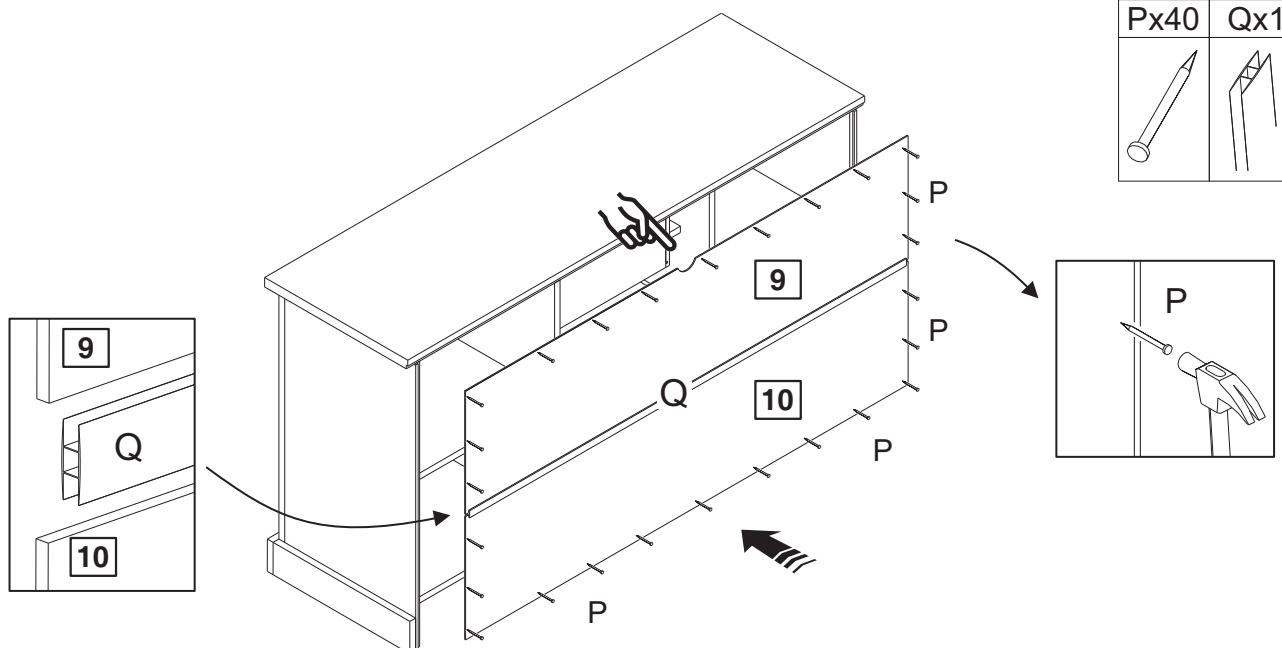


14

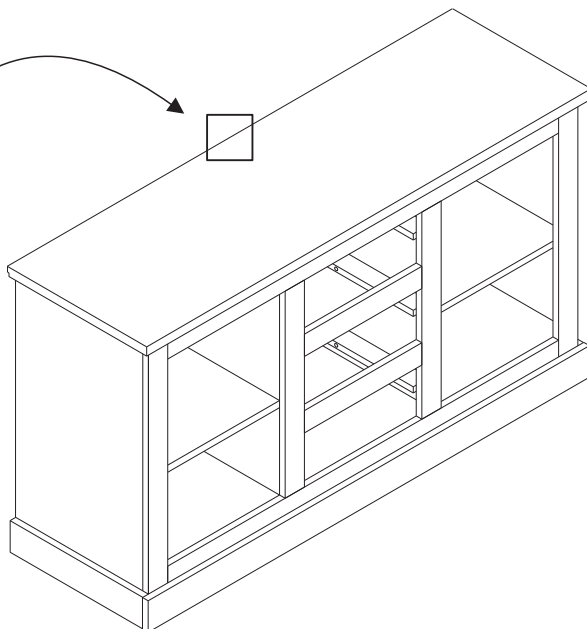
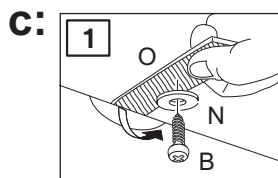
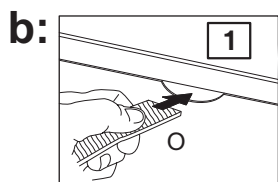
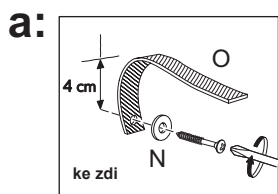


15

Px40	Qx1
	

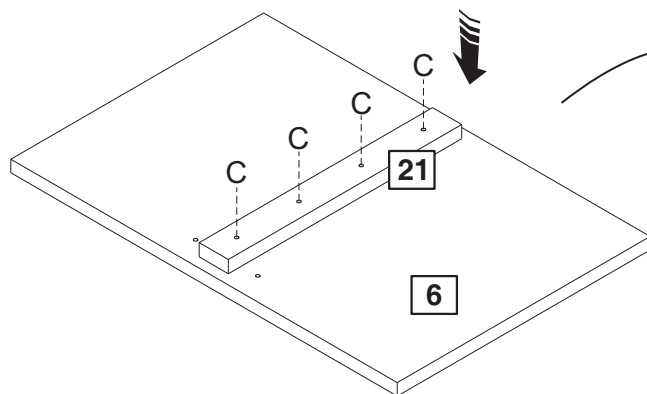


# 16

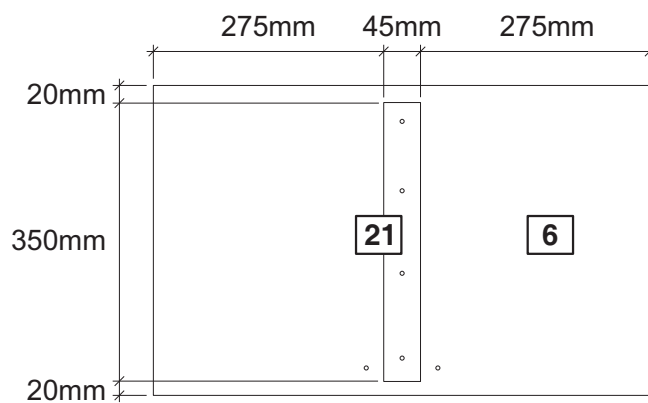


Bx1	Nx2	Ox1
Ø3,5x14mm		

# 17

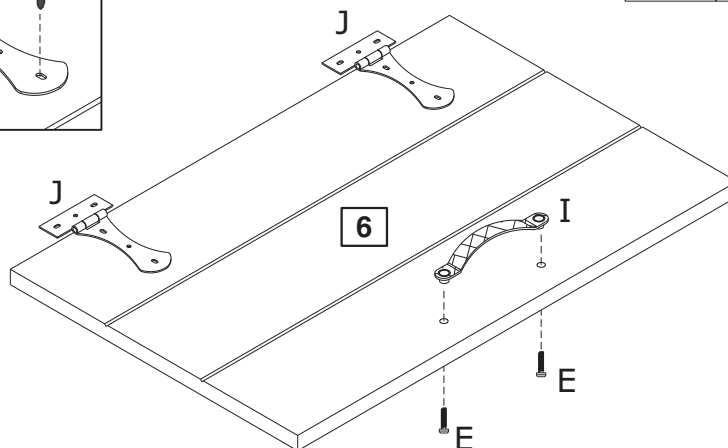
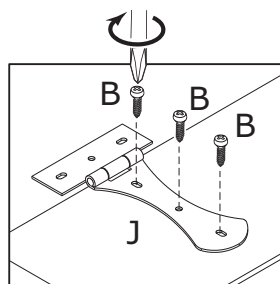


**2x**



Cx8
Ø3,5x30mm

# 18

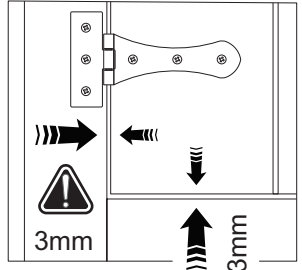
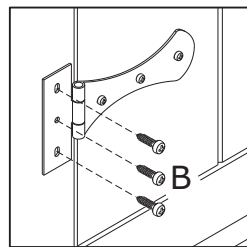
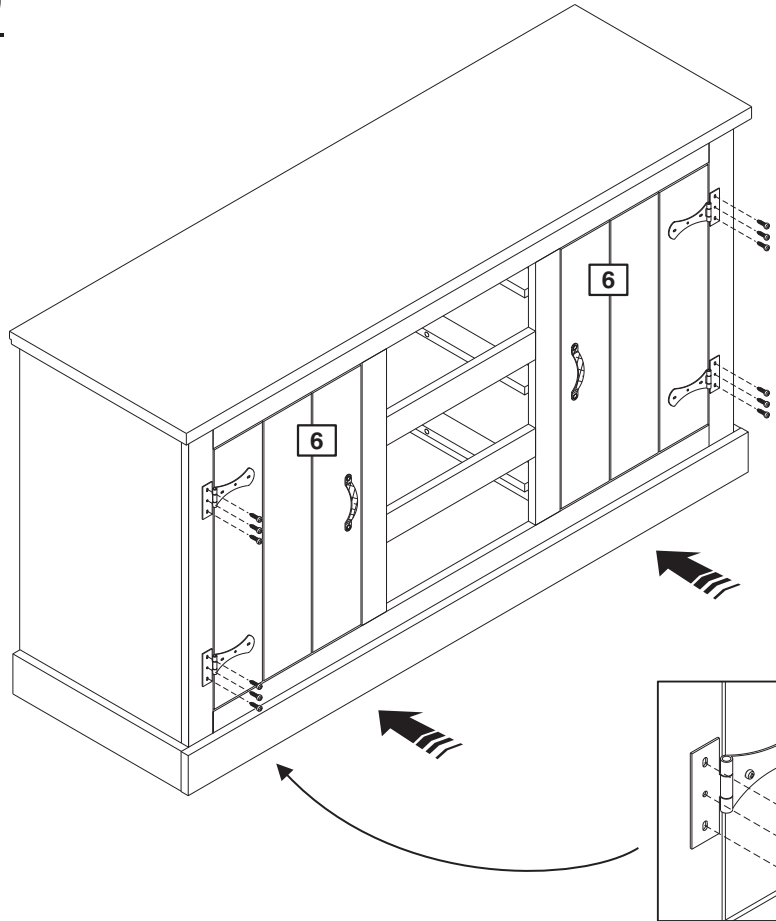


**2x**

Bx12	Ex4	Ix2	Jx4
Ø3,5x14mm	ØM4x16mm		

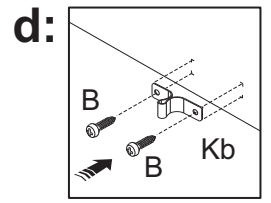
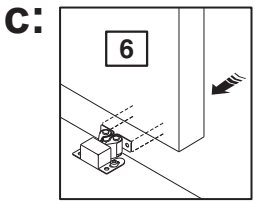
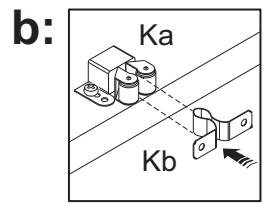
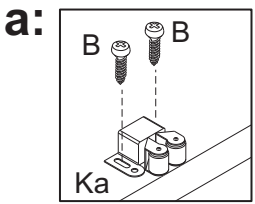
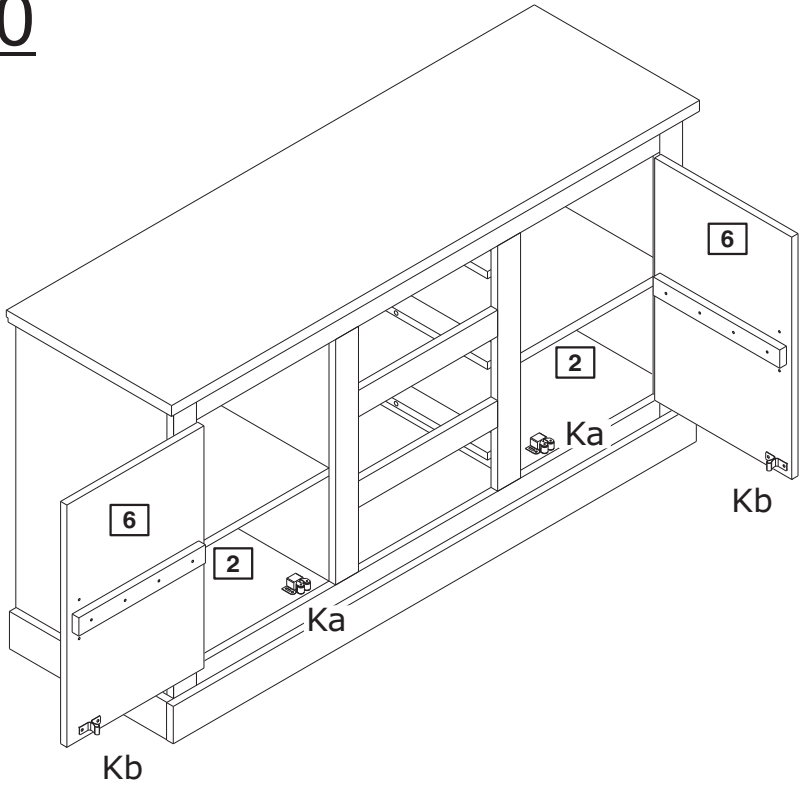
# 19

Bx12



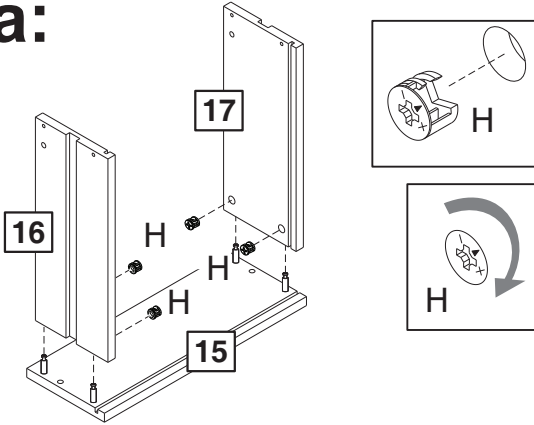
# 20

Bx8	Kax2	Kbx2

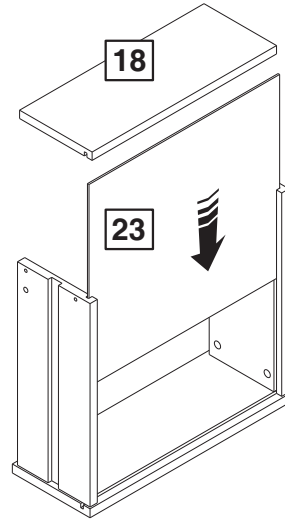


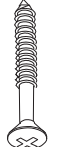



# 21

**a:**



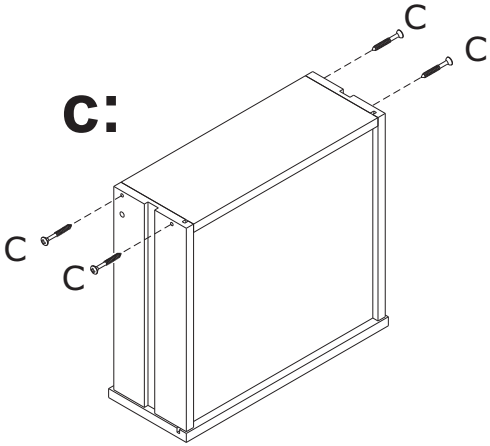
**b:**



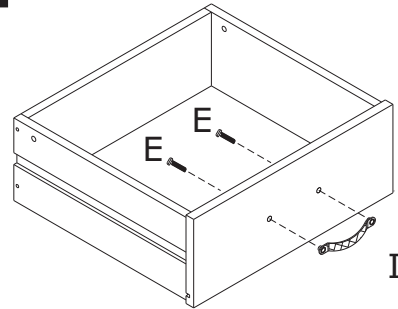
Cx12	Ex6
 Ø3,5x30mm	 ØM4x16mm
Hx12	Ix3
	

**3x**

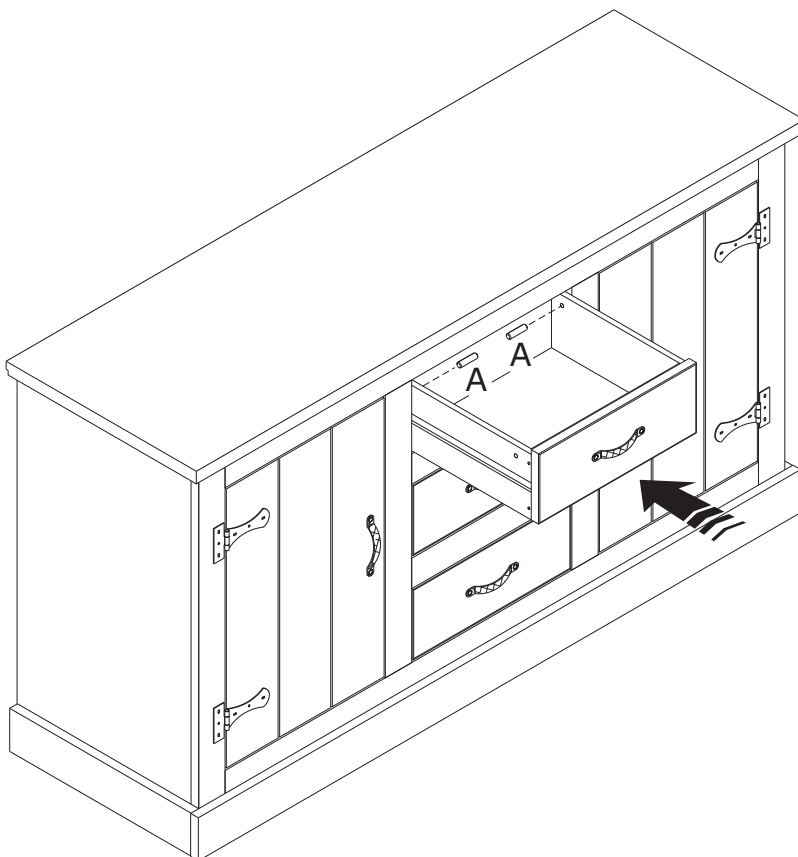
**c:**



**d:**



# 22



**Ax6**

