



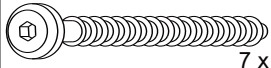


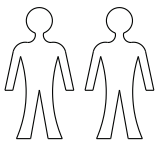
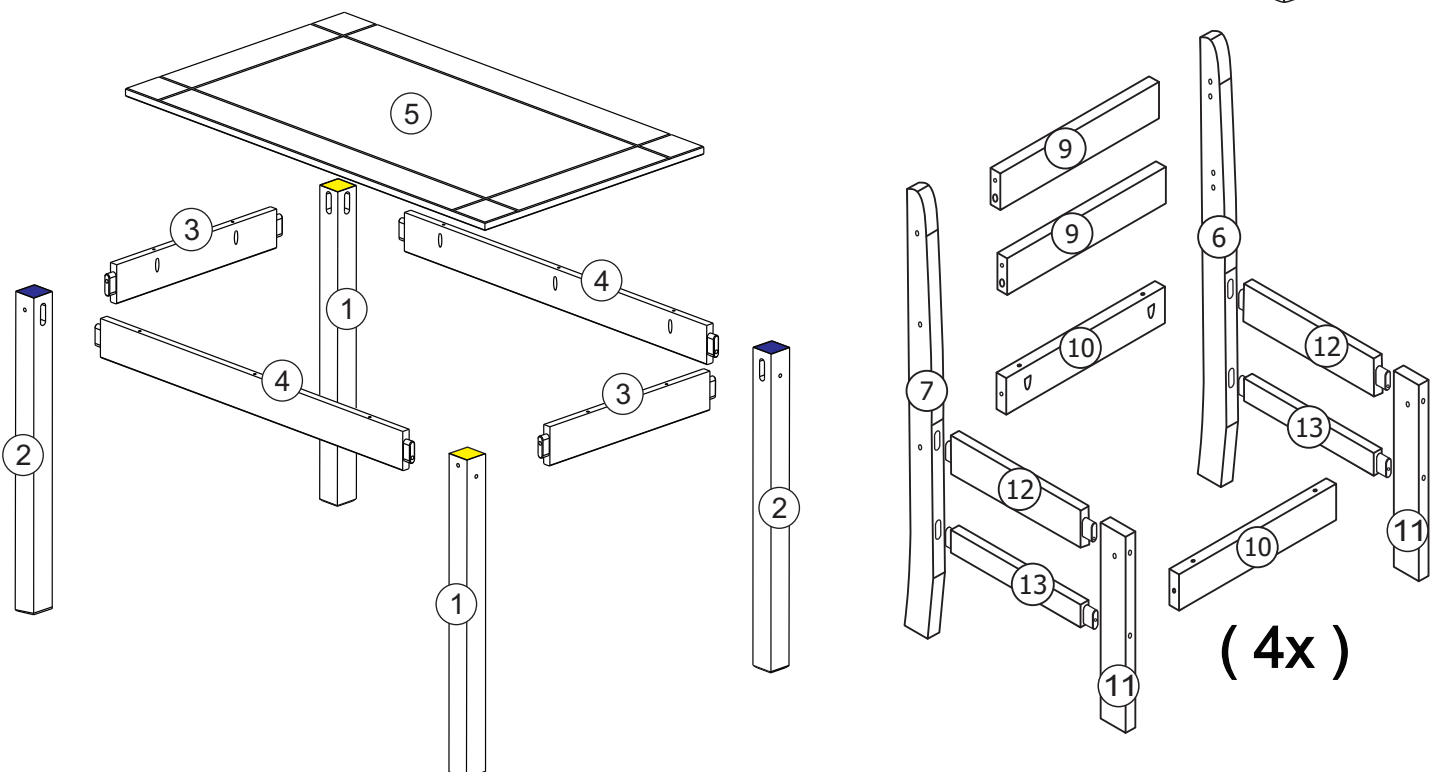
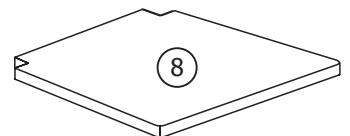
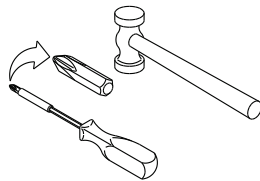


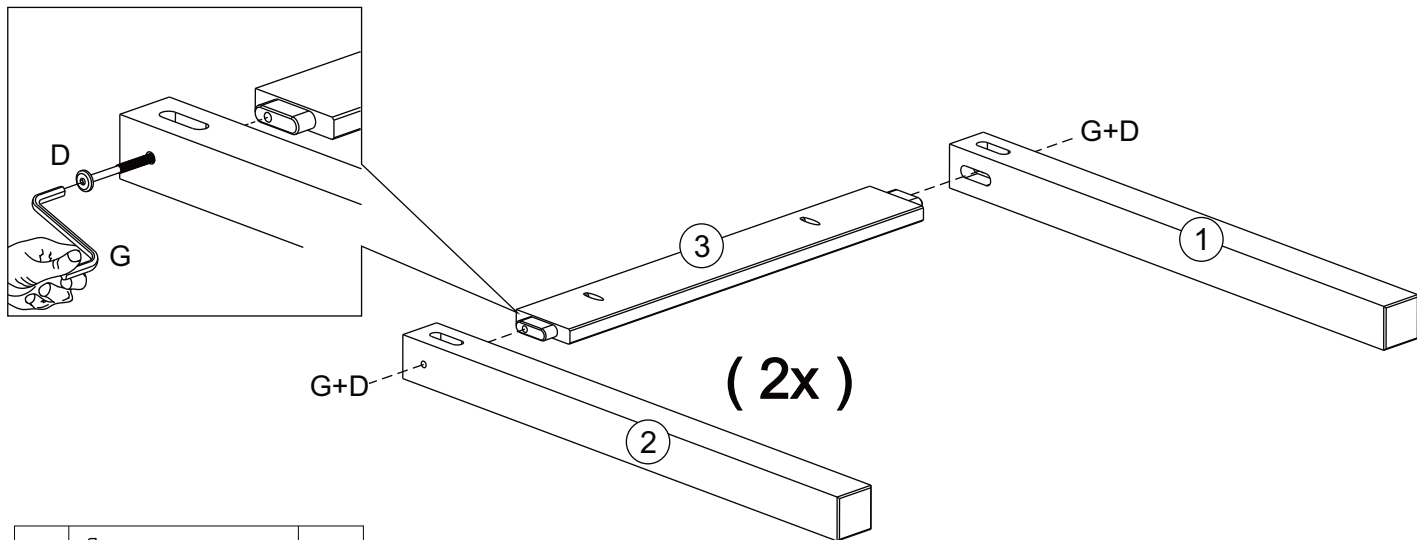
A	 8,0 x 30	16
B	 4,0 x 35	26
C	 7 x 60	32
D	 7 x 70	04
E	 7 x 80	32
F	 7 x 90	04
G		01





1 H.

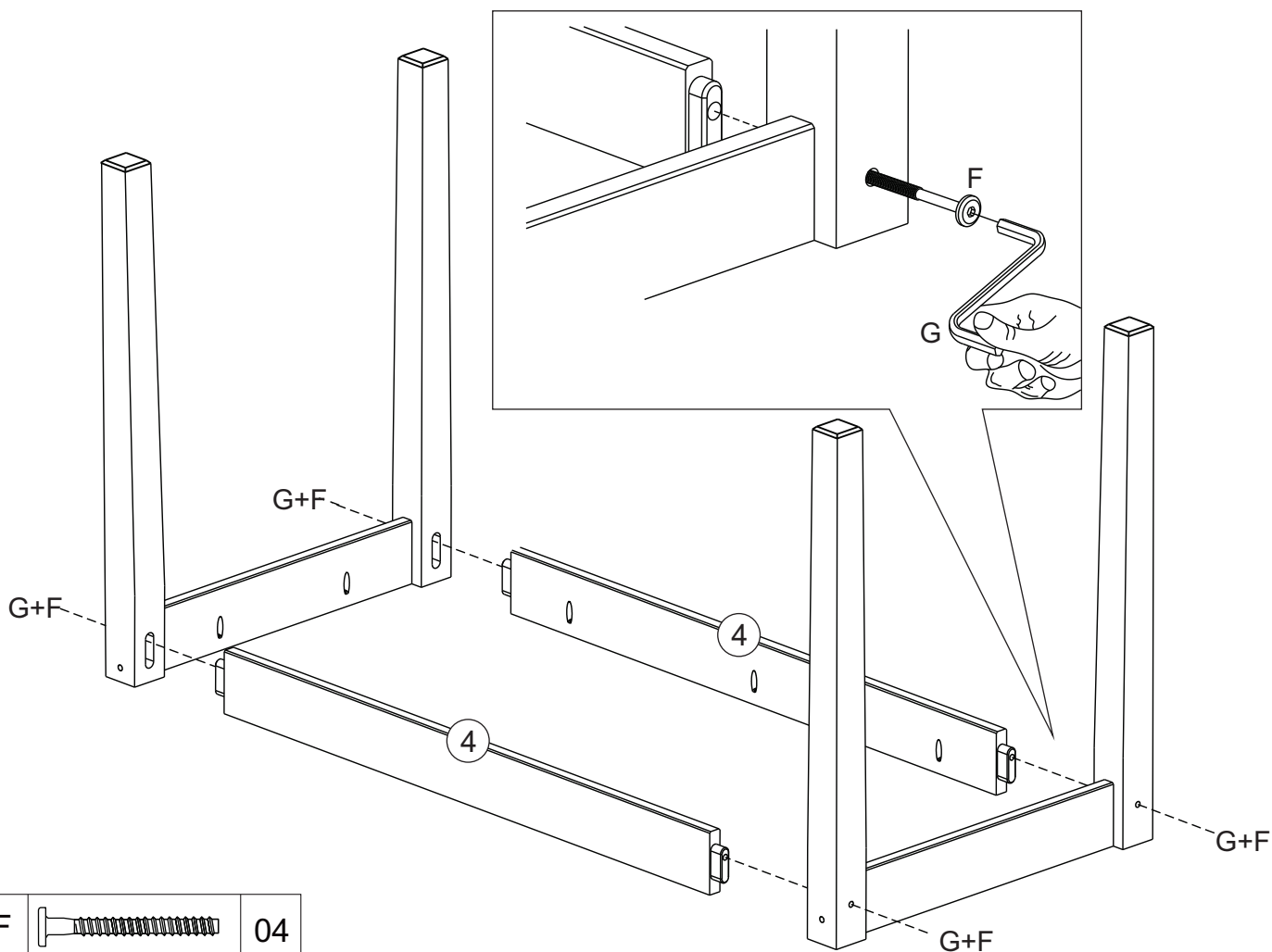




01



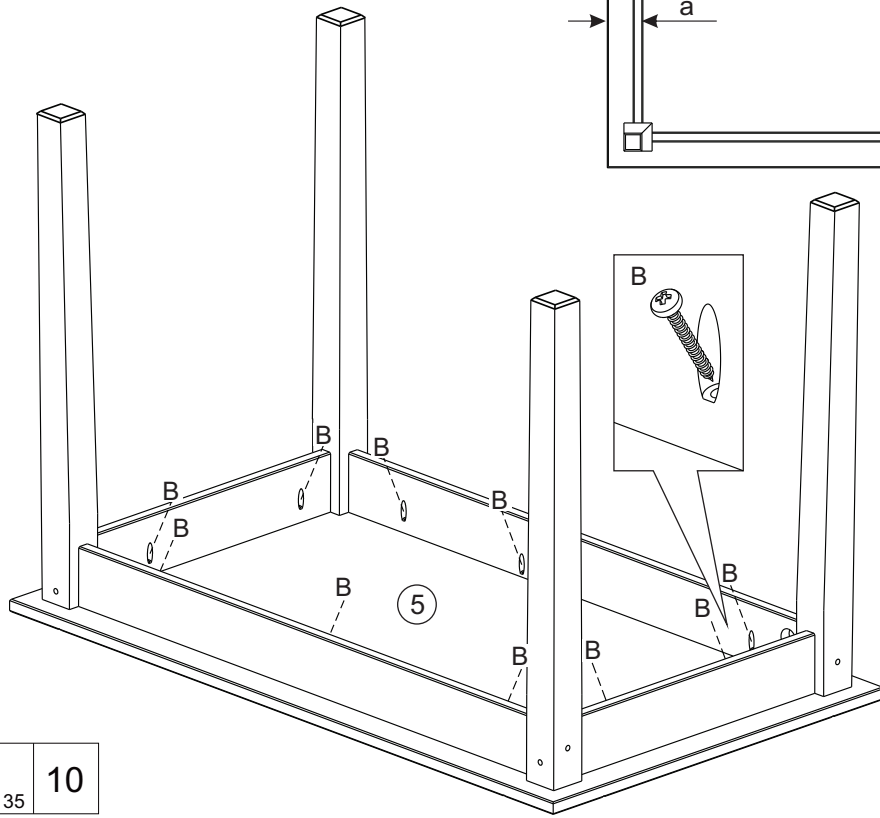
D		04
G		01


02



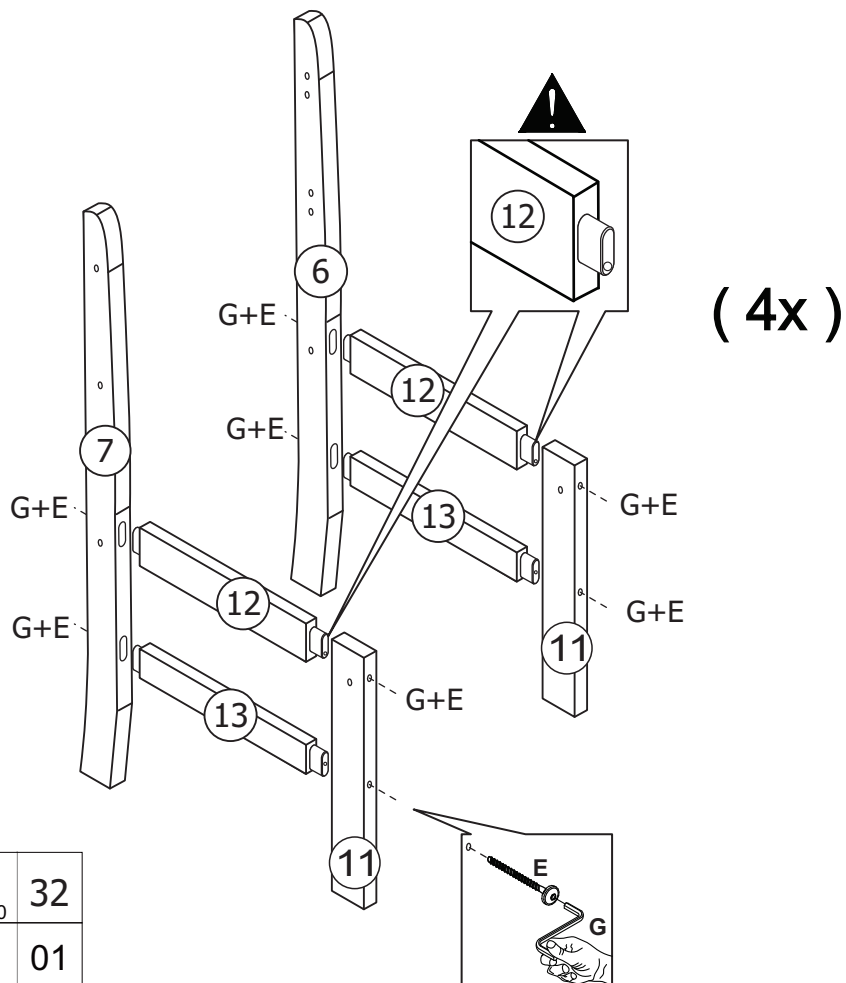
F		04
G		01

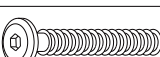

03



B	 4,0 x 35	10
---	--	----

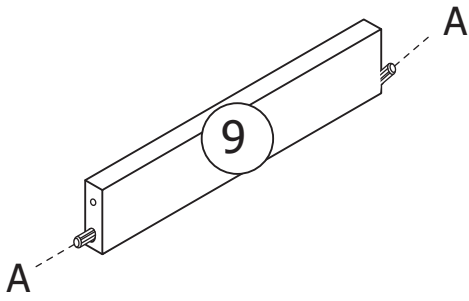
04




E	 7 x 80	32
G		01

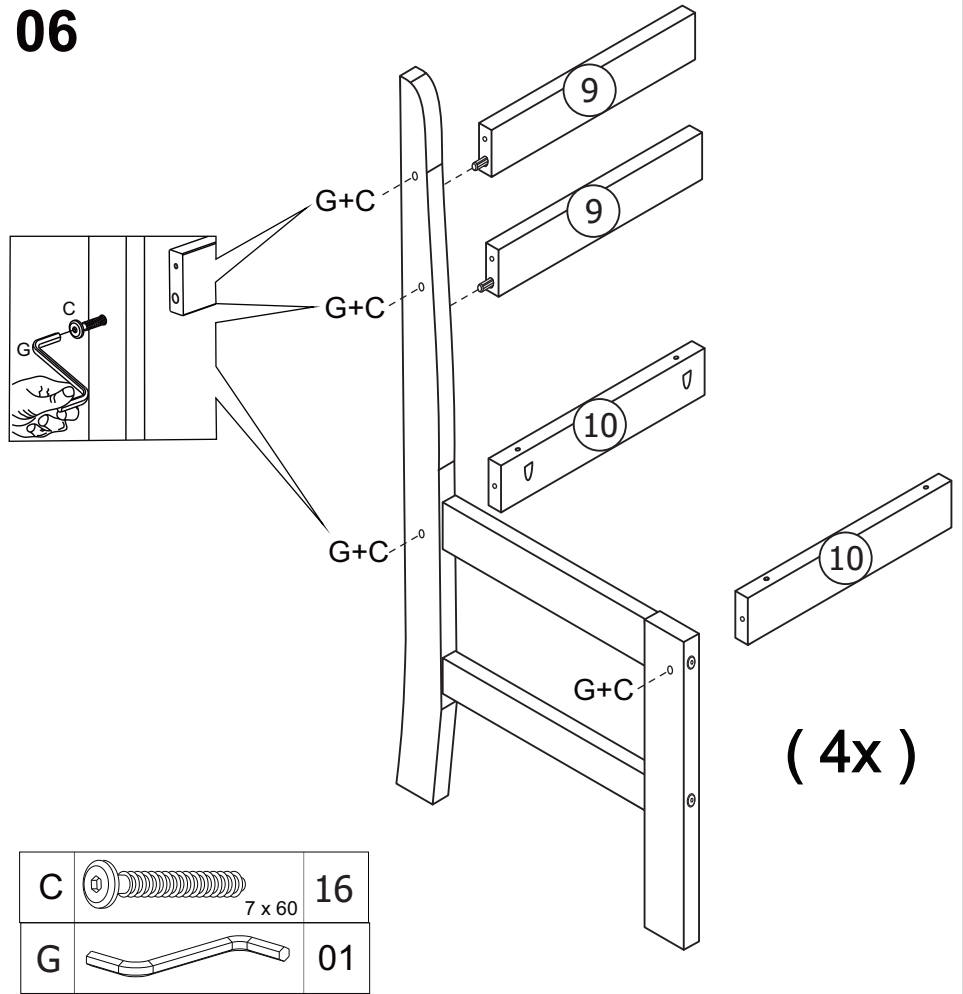
05



(8x)



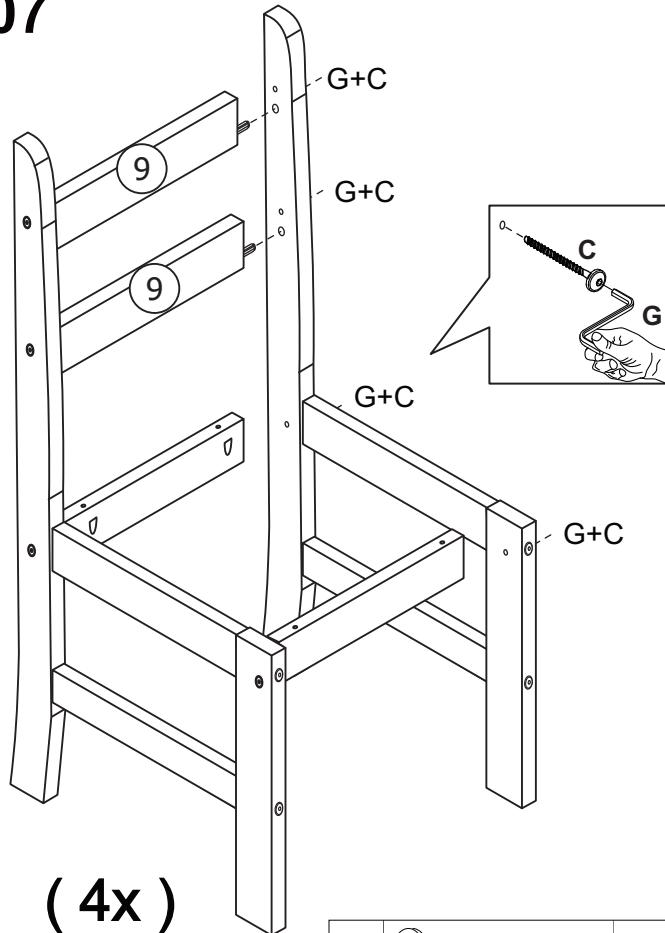
A		16
---	--	----

06





C		16
G		01

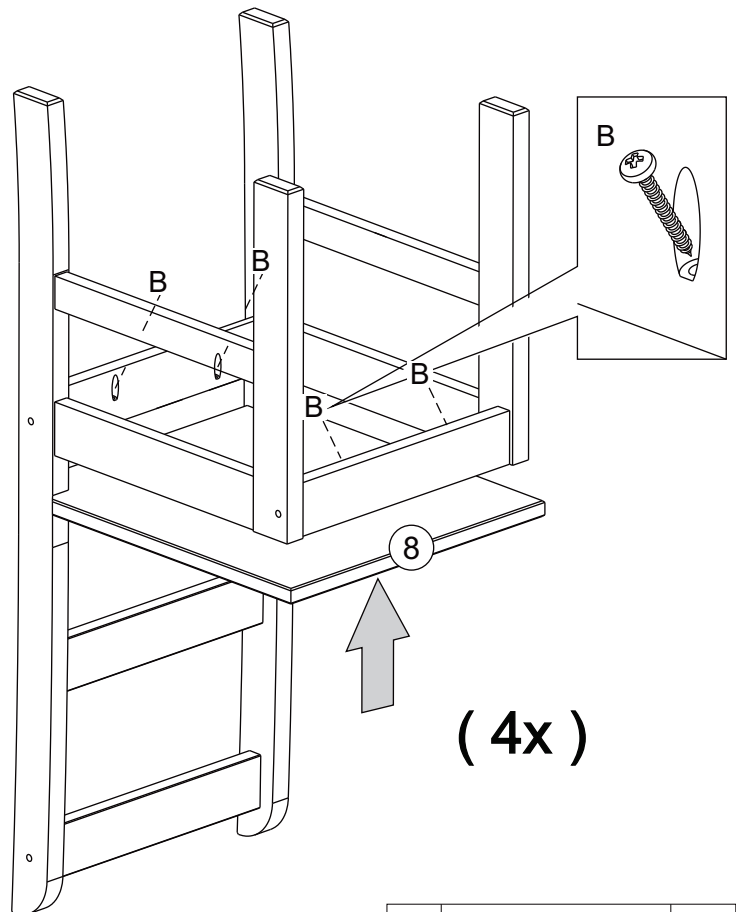
07




(4x)

C		16
G		01

08



(4x)

B		16
---	---	----