
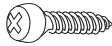

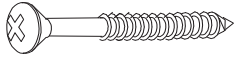


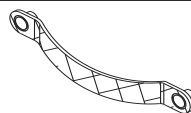
A x 24  Ø8x30mm

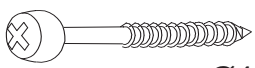
H x 4 

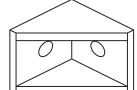
B x 16  Ø3,5x14mm

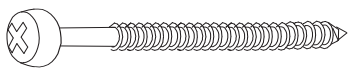
I x 8 

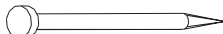
C x 16  Ø3,5x30mm

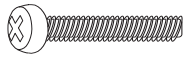
J x 2 

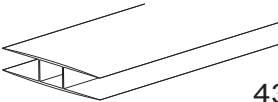
D x 2  Ø4,0x35mm


K x 6 

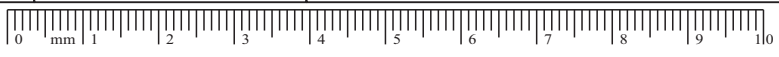
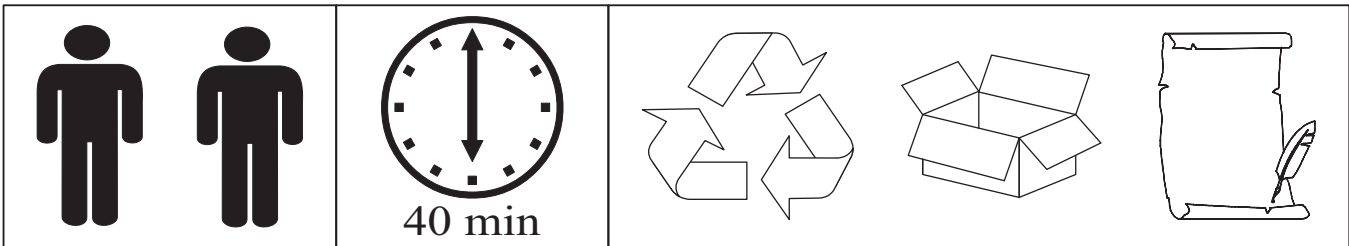
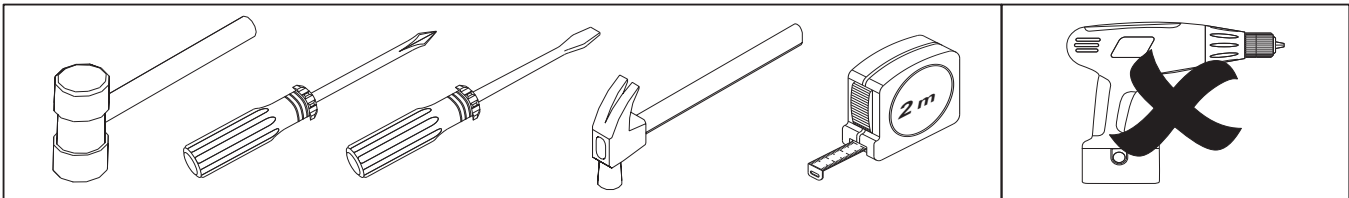
E x 8  Ø4,5x50mm

L x 18 

F x 4  ØM4x16mm

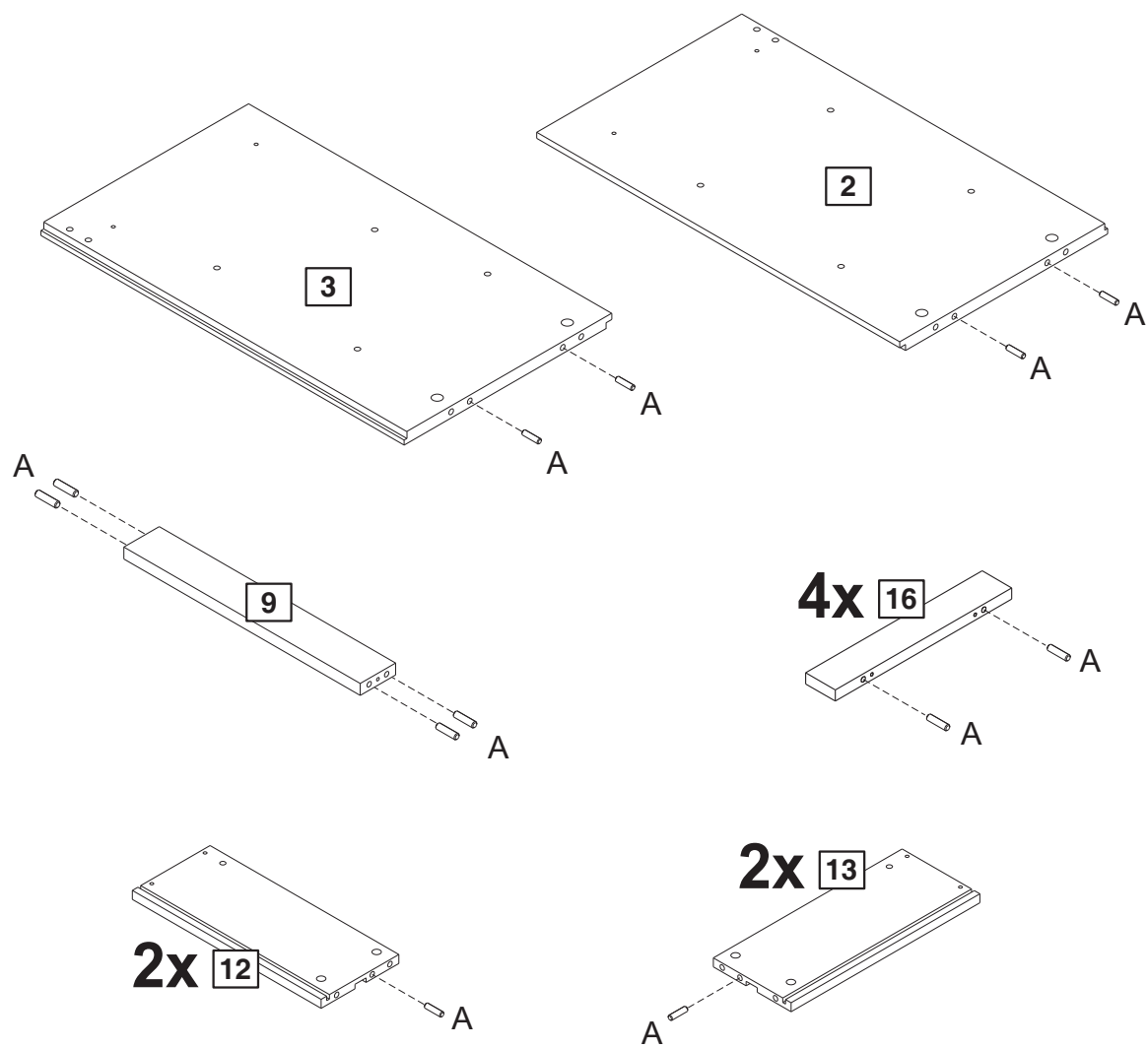
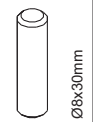
M x 1  430mm

G x 12 



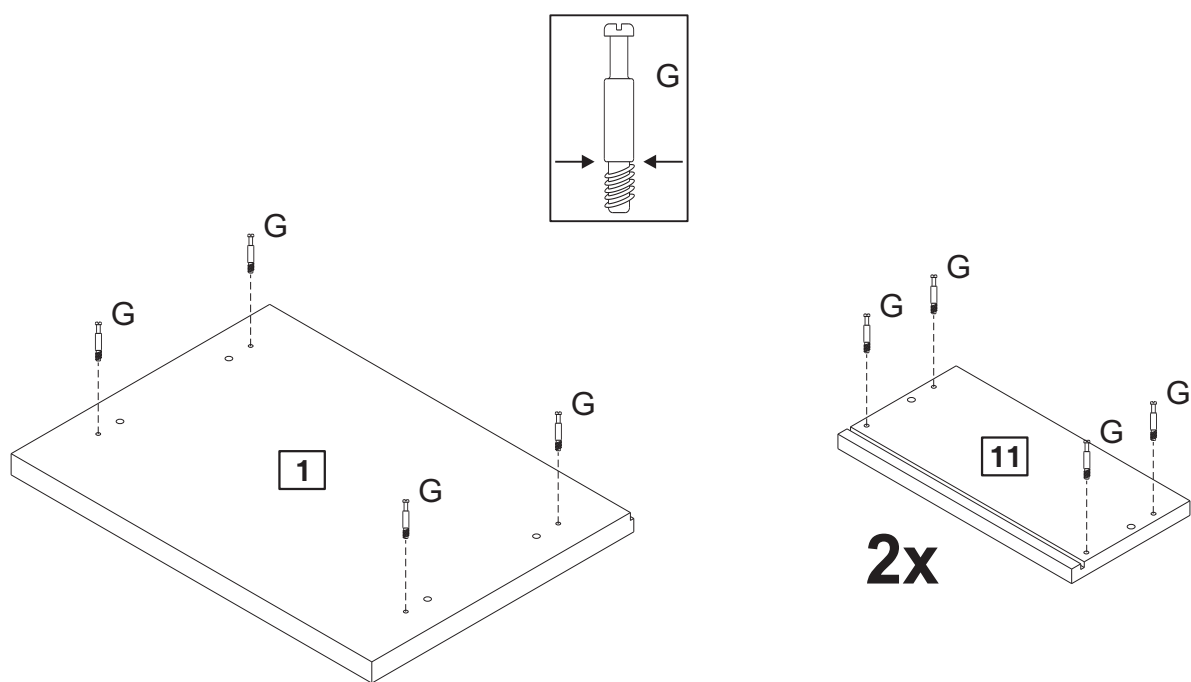
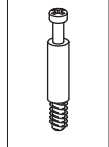
**1**

Ax20


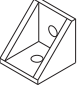


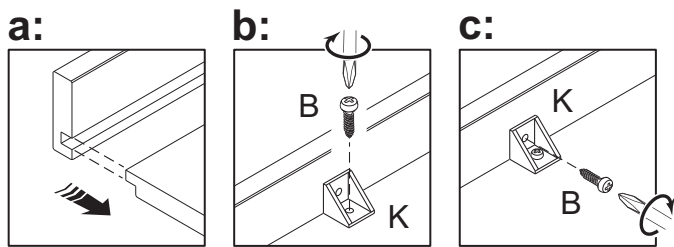
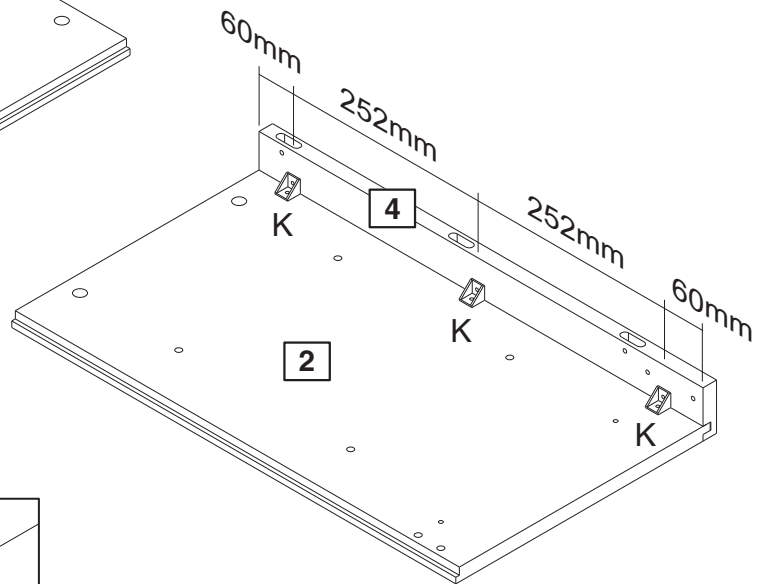
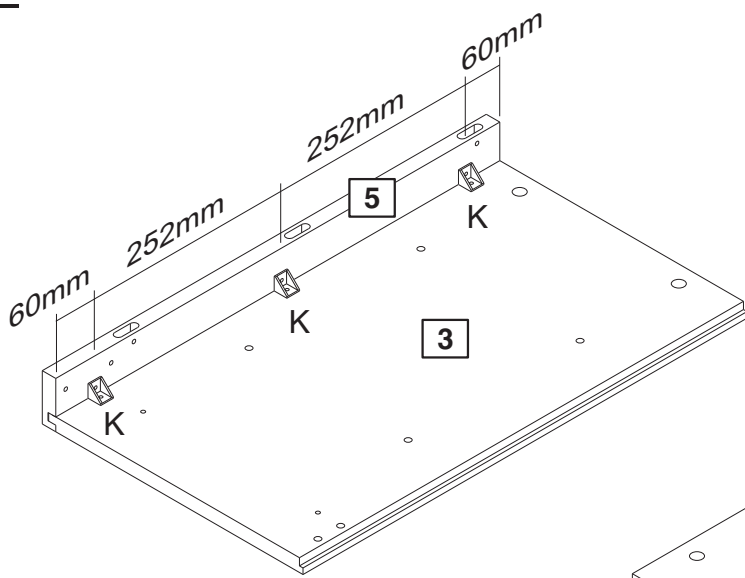
**2**

Gx12




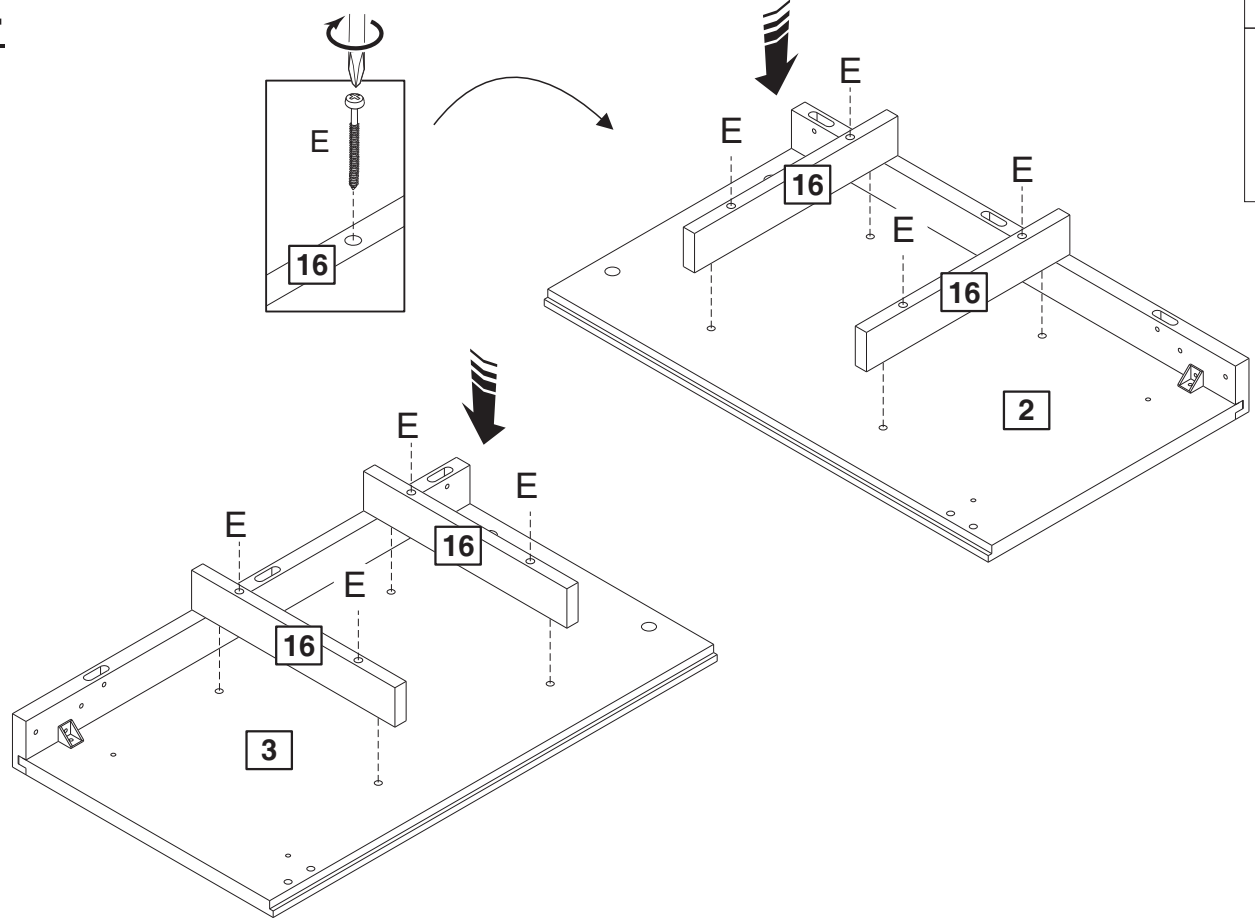
# 3

Bx12	Kx6
	
Ø3,5x14mm	

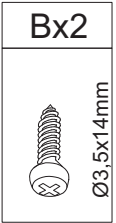
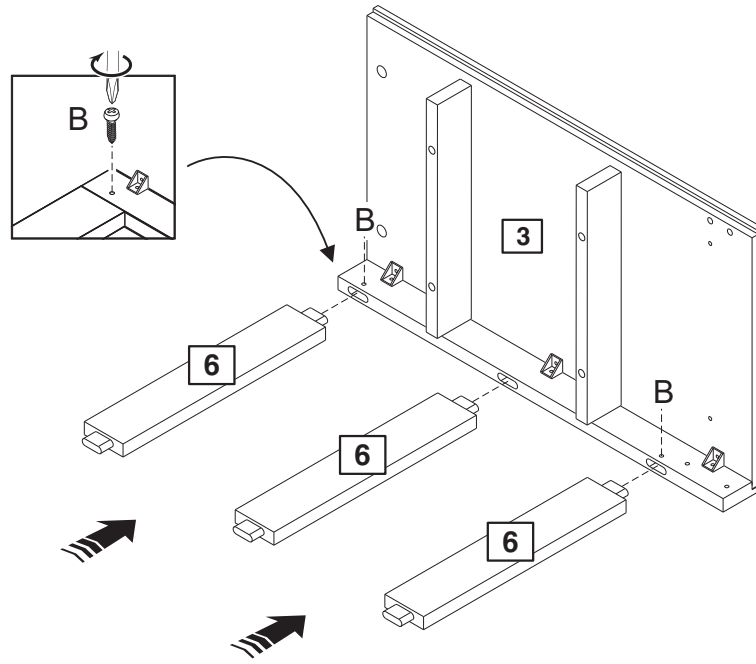


# 4

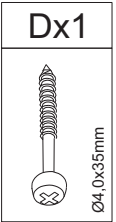
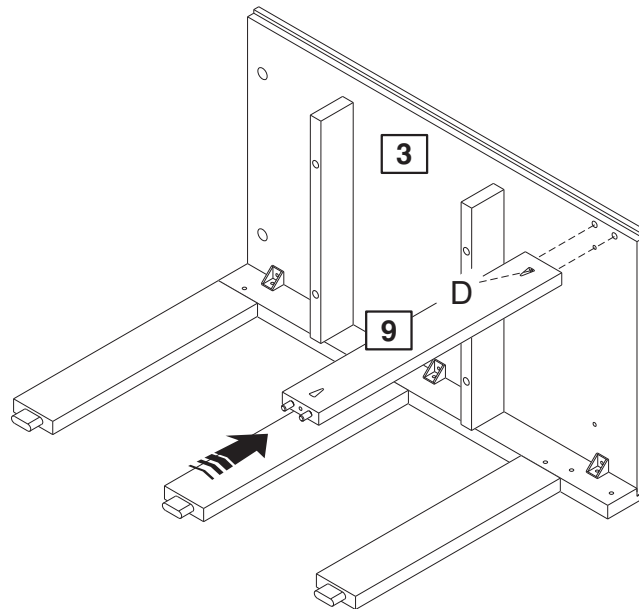
Ex8

Ø4,5x50mm



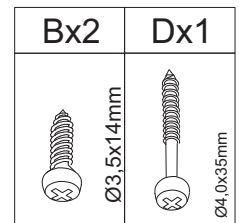
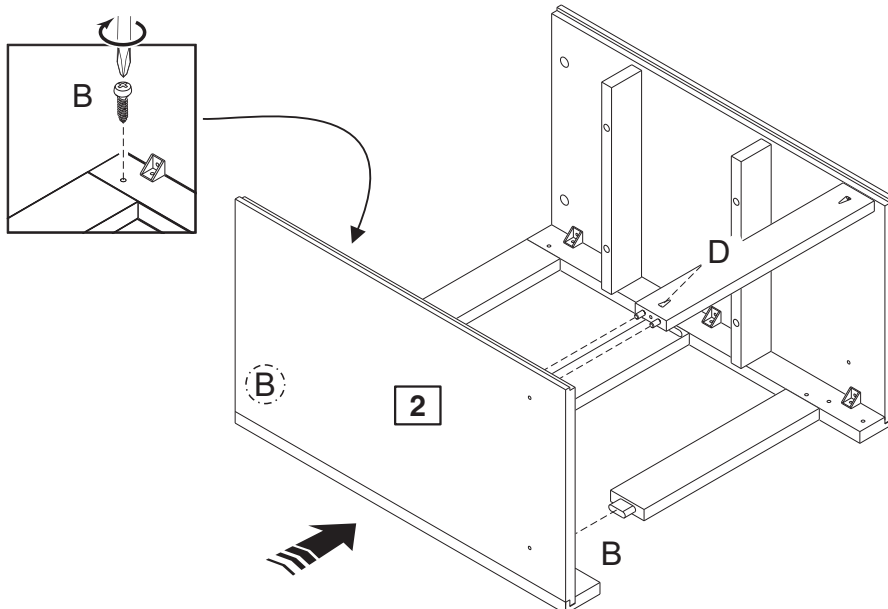
5



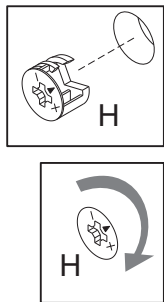
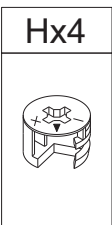
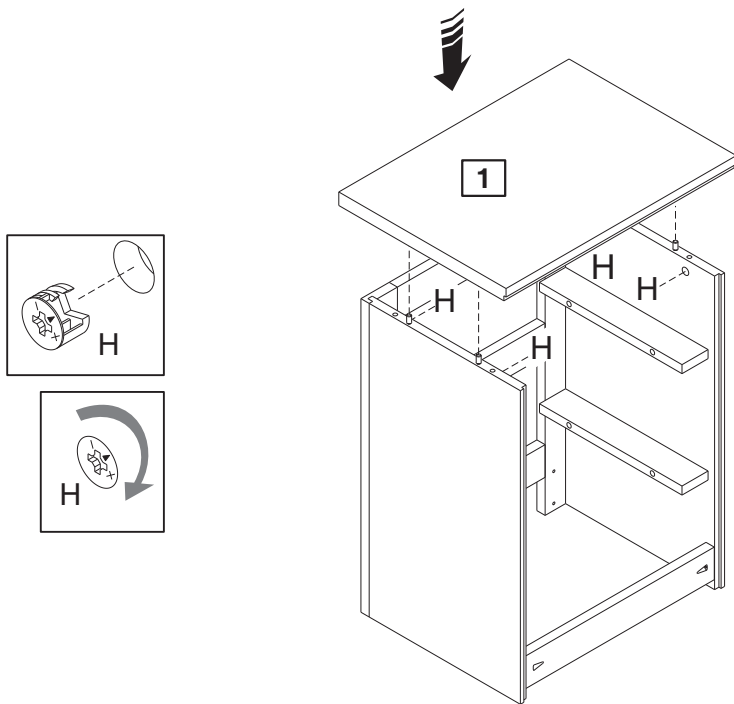
6



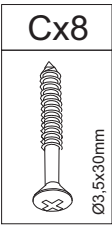
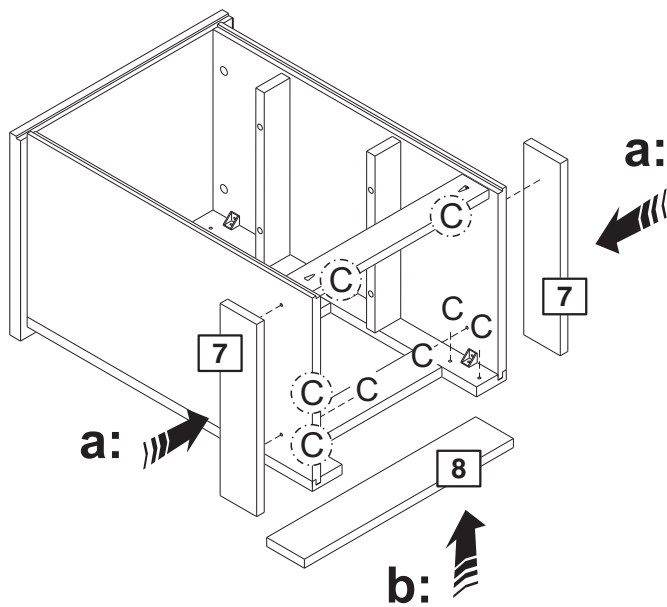
7



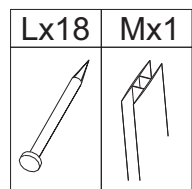
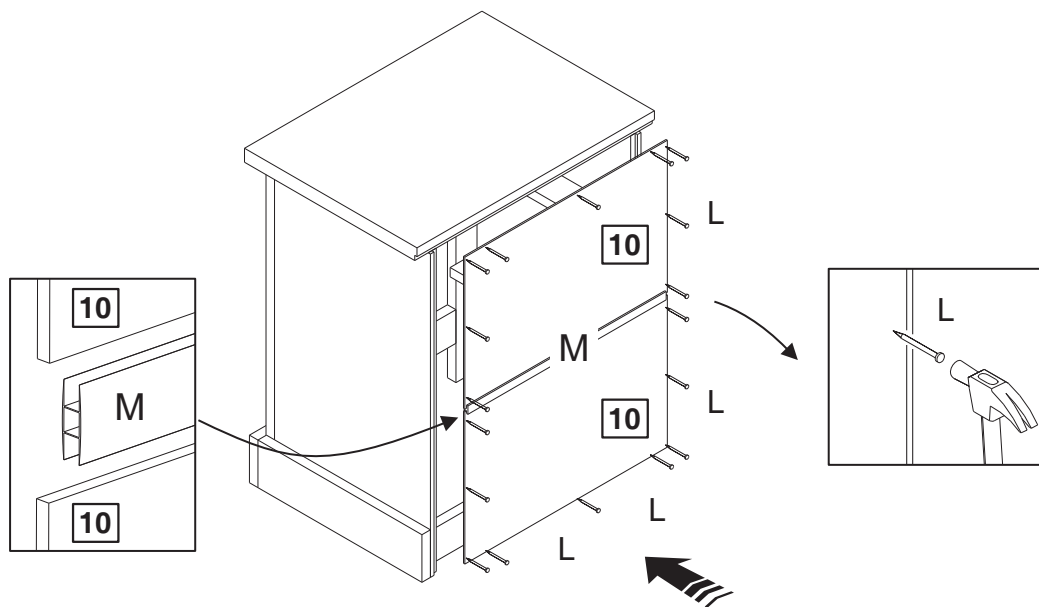
**8**



**9**

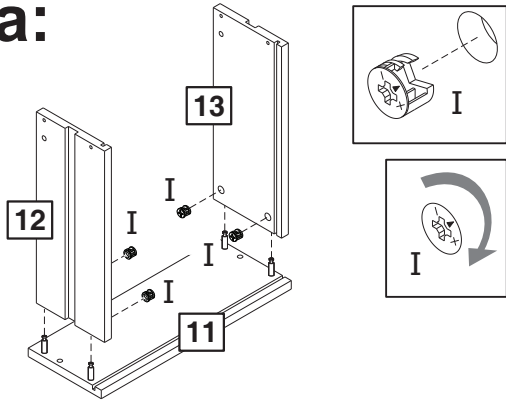


**10**

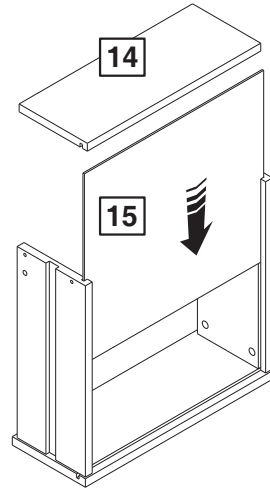


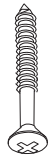



# 11

**a:**



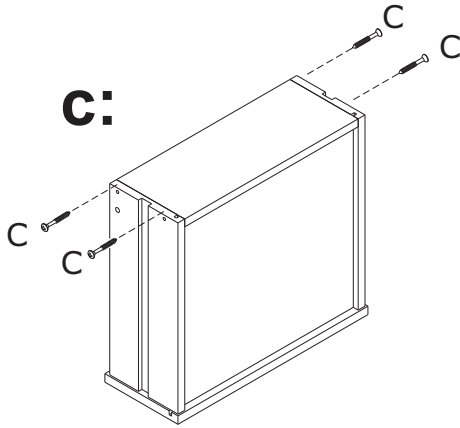
**b:**



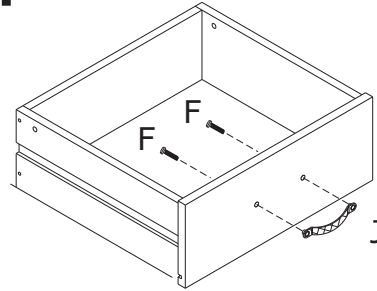
Cx8	Fx4
 Ø3.5x30mm	 ØM4x16mm
Ix8	Jx2
	

**2x**

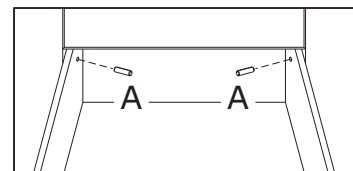
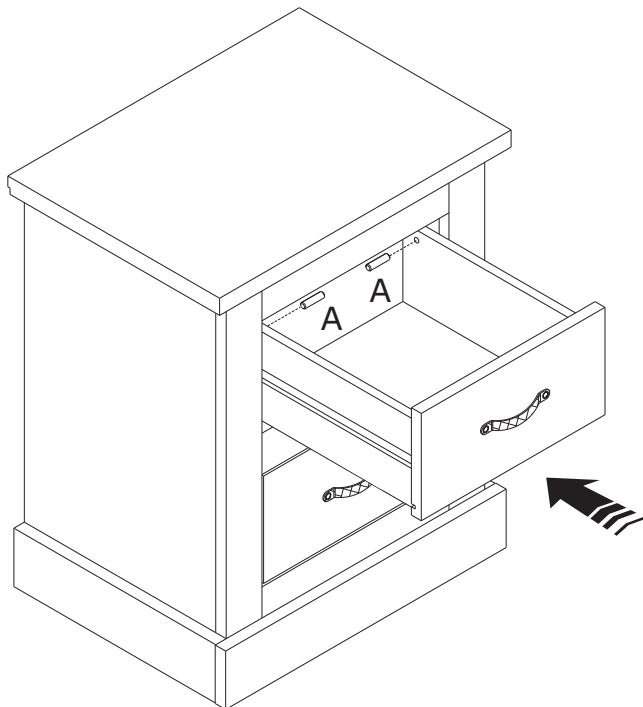
**c:**



**d:**



# 12



**Ax4**

