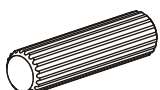
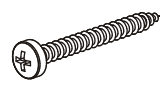
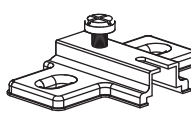

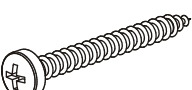
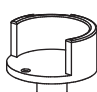
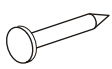
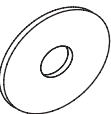
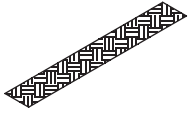
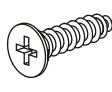

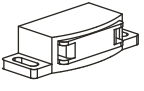
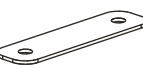
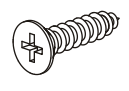
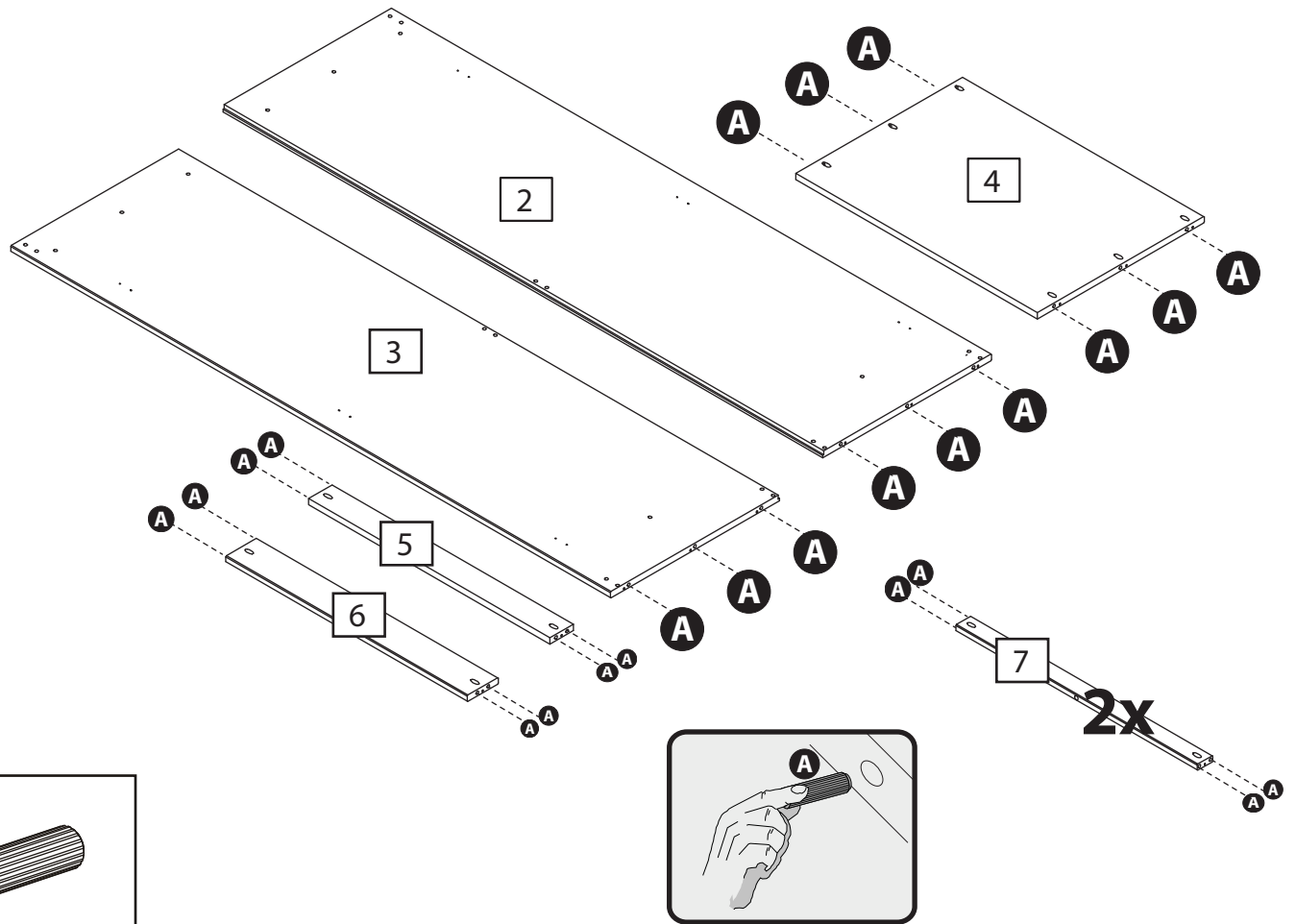


A x 28  8,0 x 30mm	B x 44  3,5 x 30mm	C x 06  3,5 x 30mm	D x 06  3,5 x 30mm	E x 10  4,0 x 40mm
F x 02 	G x 26 	H x 02 	I x 01 	J x 27  4,0 x 16mm
L x 02 	M x 02 	N x 02 	O x 08  3,0 x 16mm	

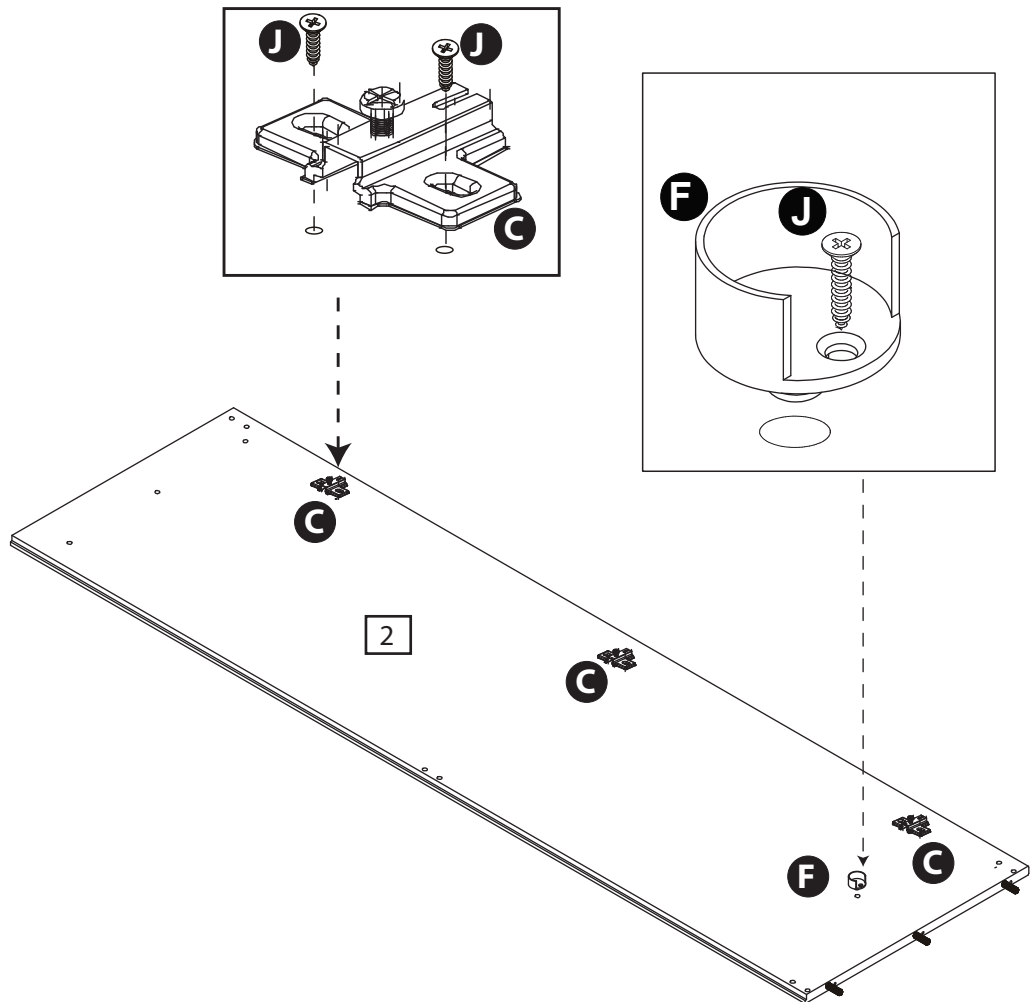
1



A x 28

8,0 x 30mm

2



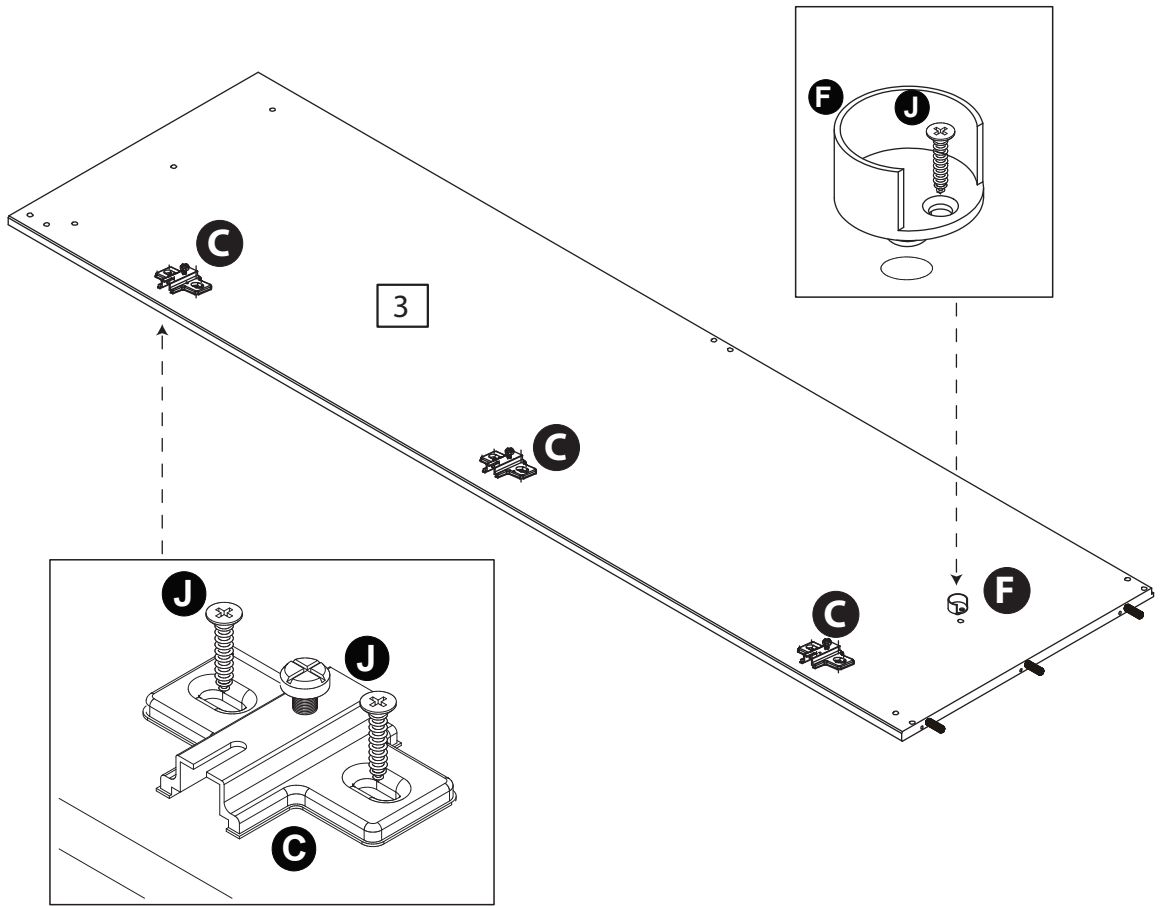
J x 07

4,0 x 16mm

F x 01

C x 03

3



J x 07

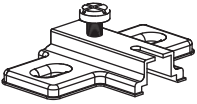


4,0 x 16mm

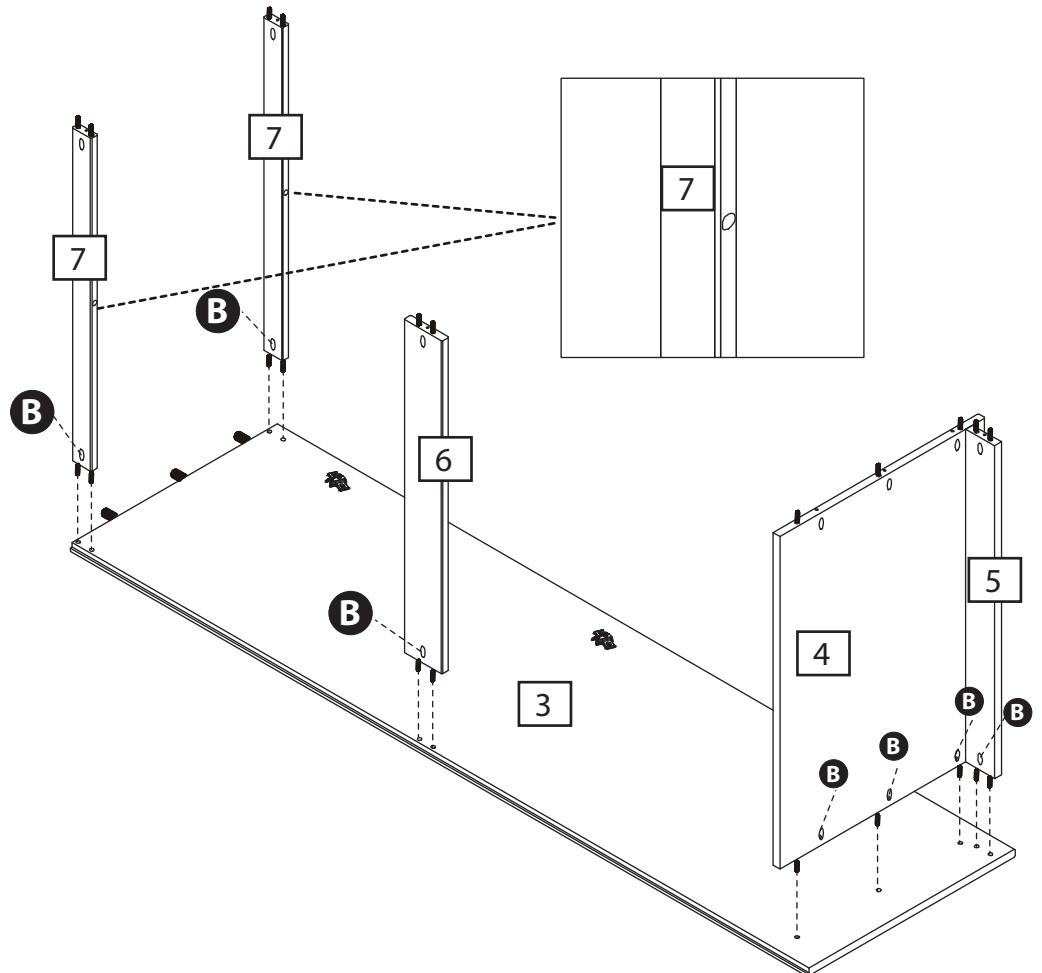
F x 01



C x 03



4

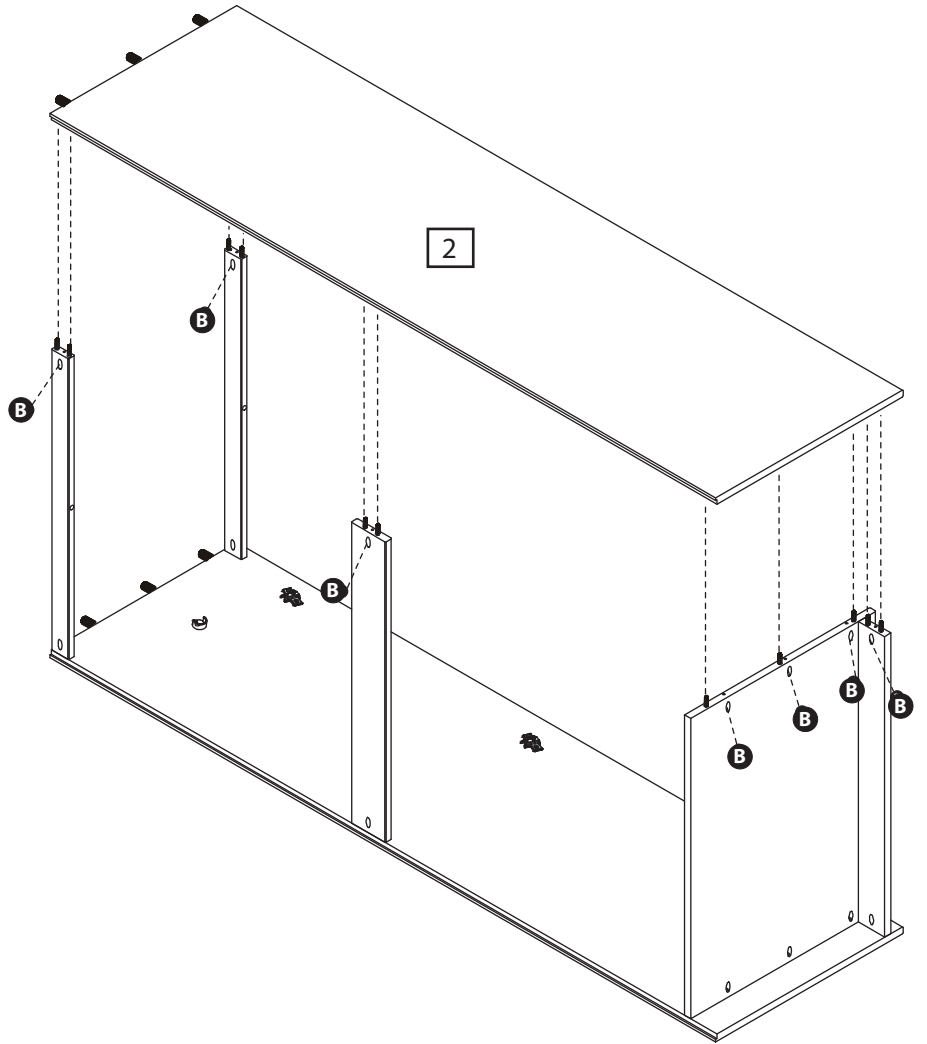


B x 07

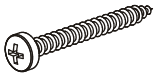


3,5 x 30mm

5

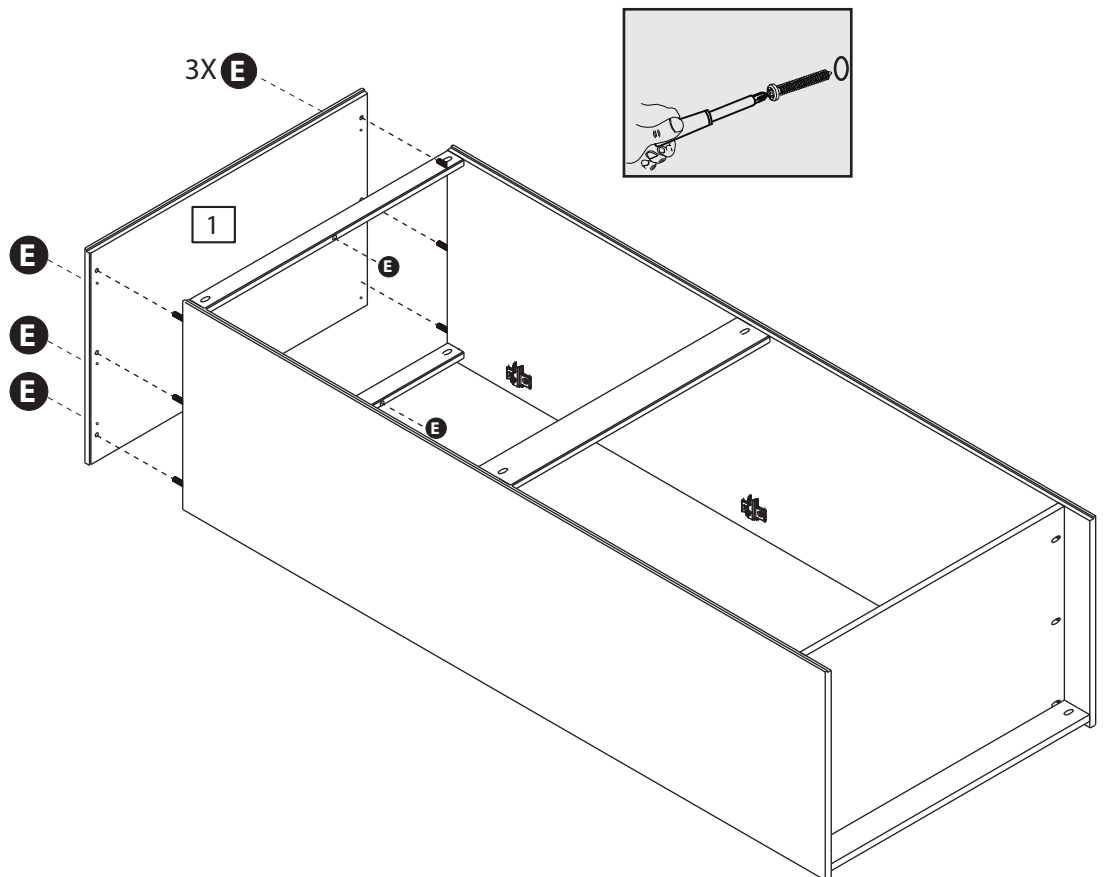


B x 07



3,5 x 30mm

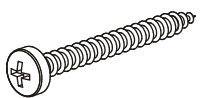
6



3X **E**

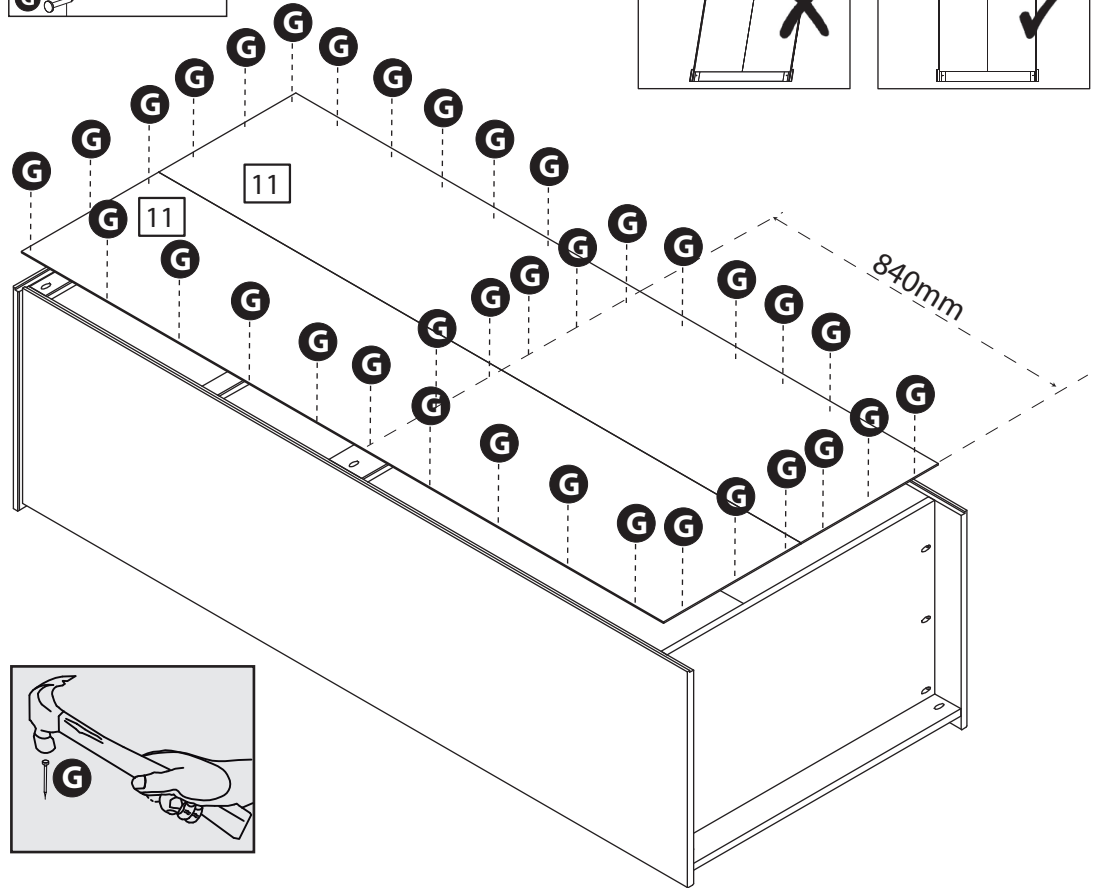
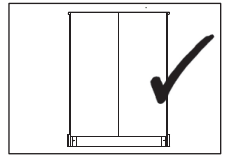
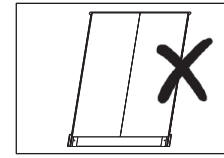
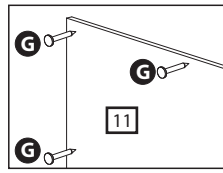
E
E
E

E x 08

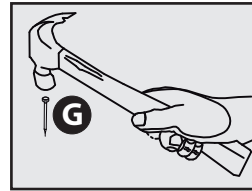
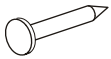


4,0 x 40mm

7



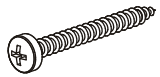
G x 26



8

2x

B x 30



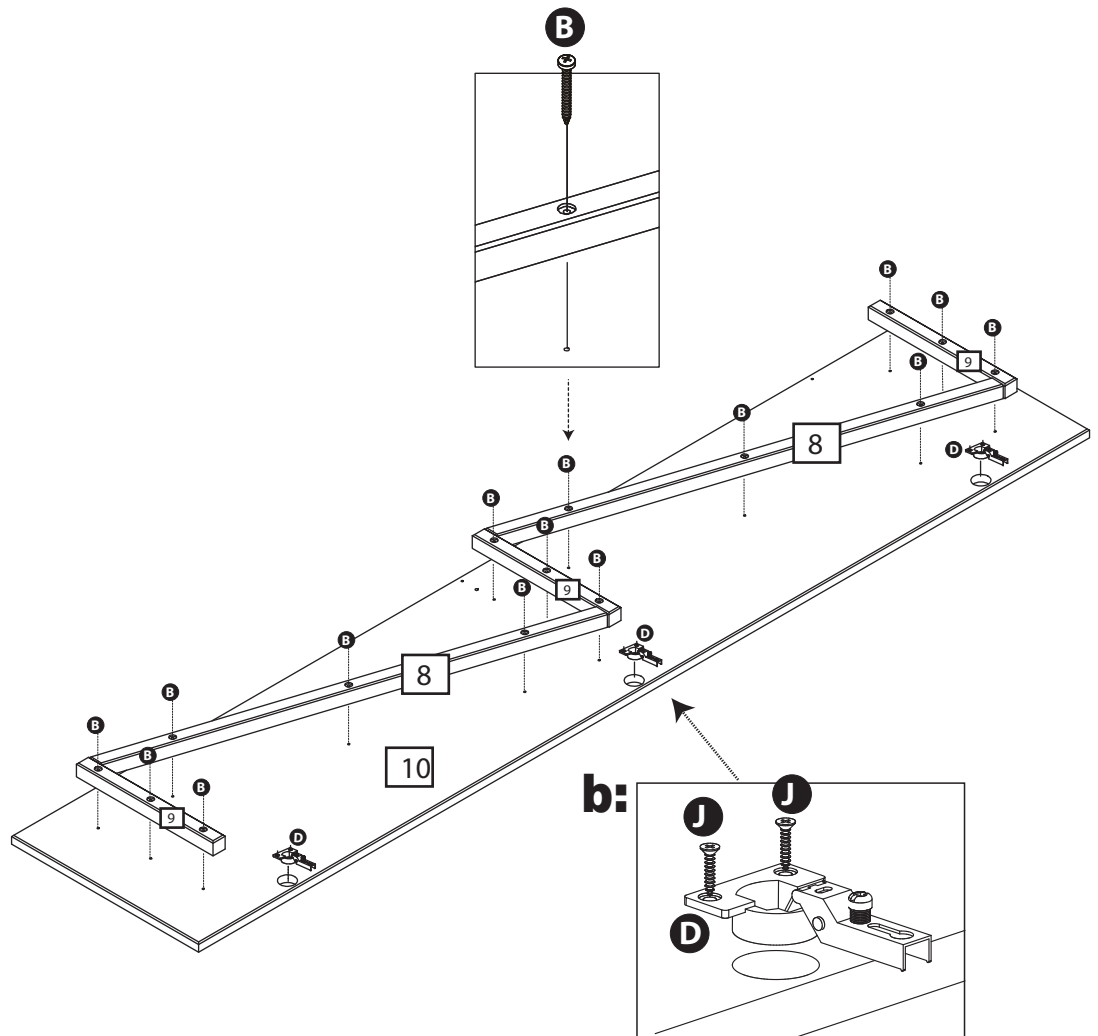
3,5 x 30mm

J x 12

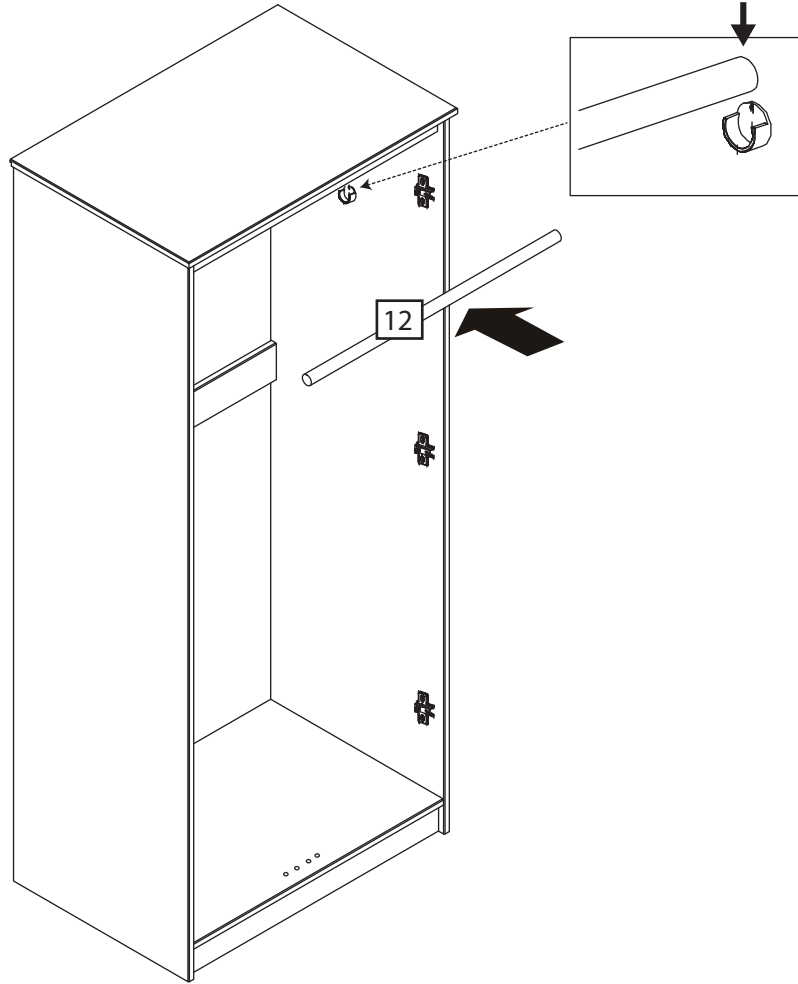


4,0 x 16mm

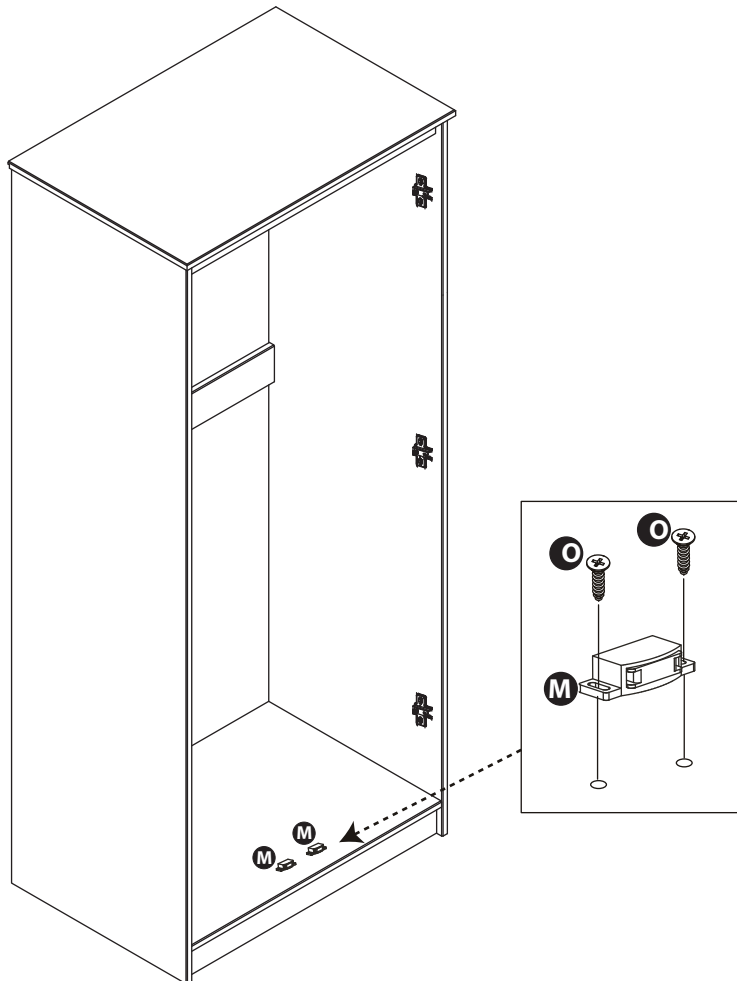
D x 06



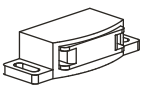
9



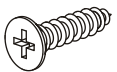
10



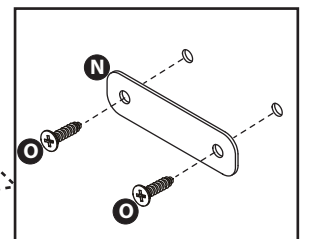
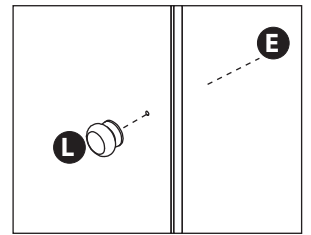
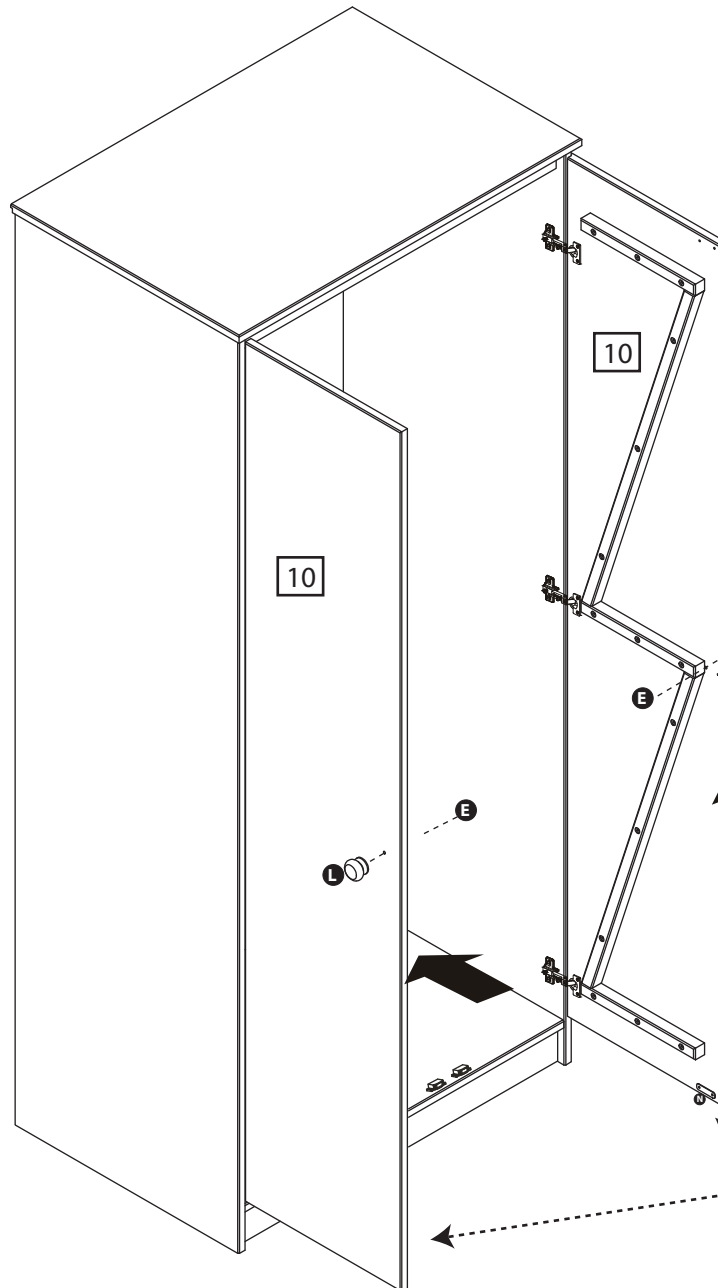
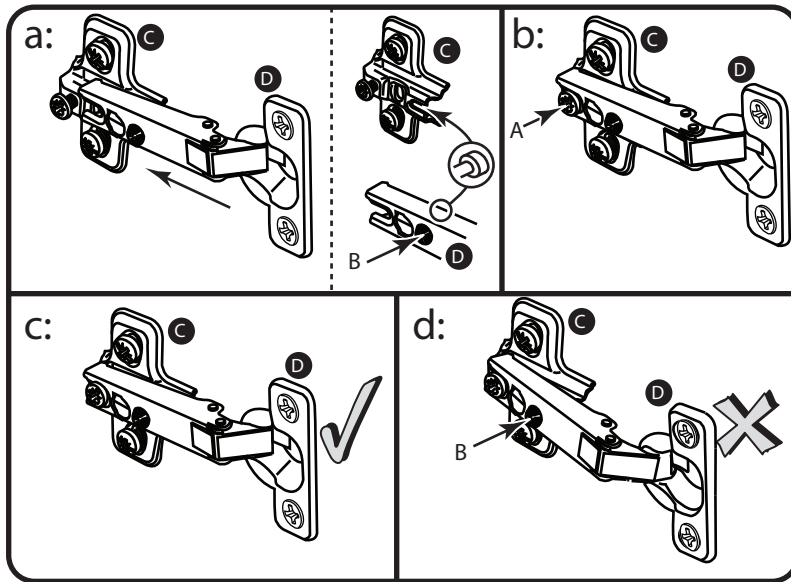
M x 02



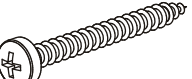



O x 04

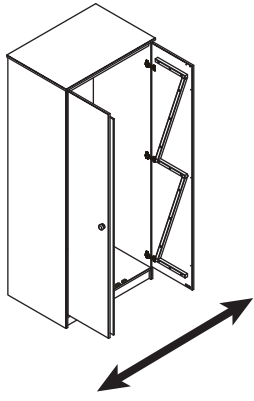


3,0 x 16mm

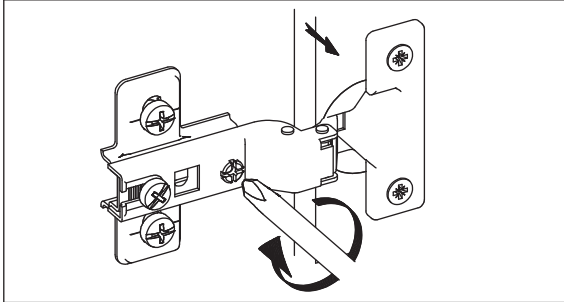


- O** x 04

 3,0 x 16mm
- L** x 02

- E** x 02

 4,0 x 40mm
- N** x 02


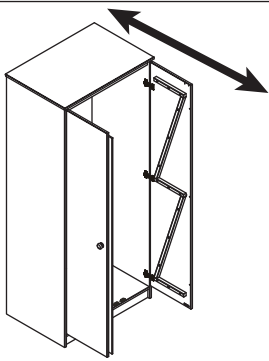
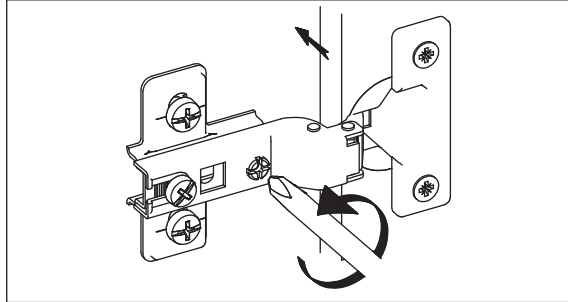
12



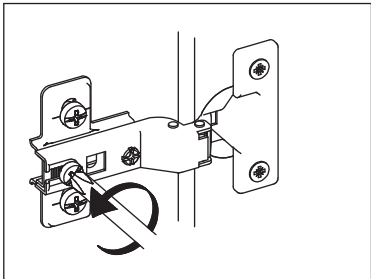
a:



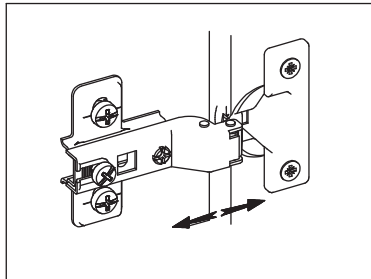
b:



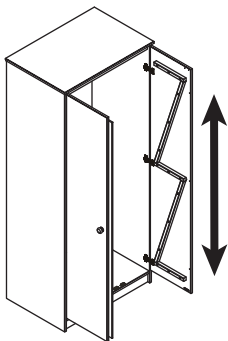
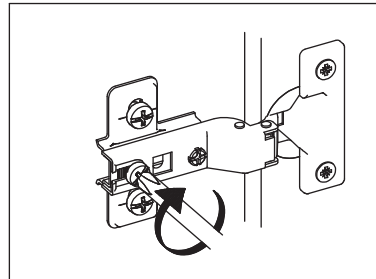
a:



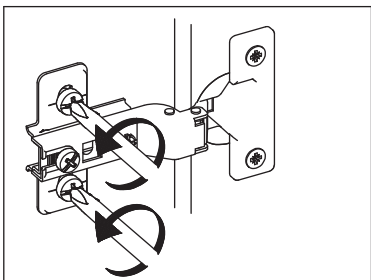
b:



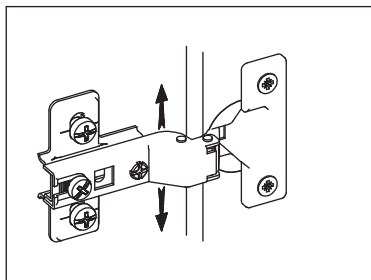
c:



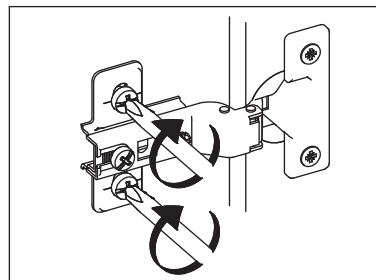
a:



b:



c:



13

