
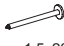



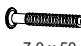


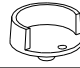





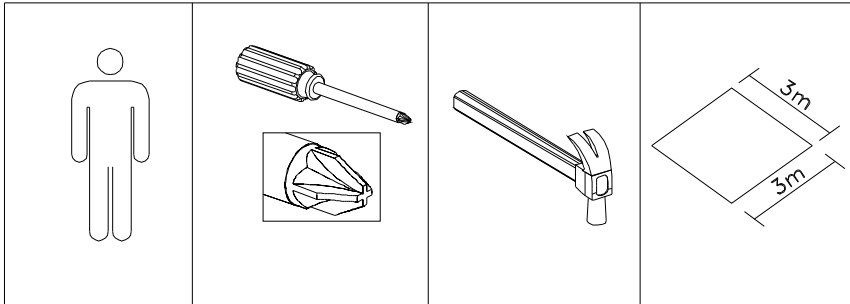
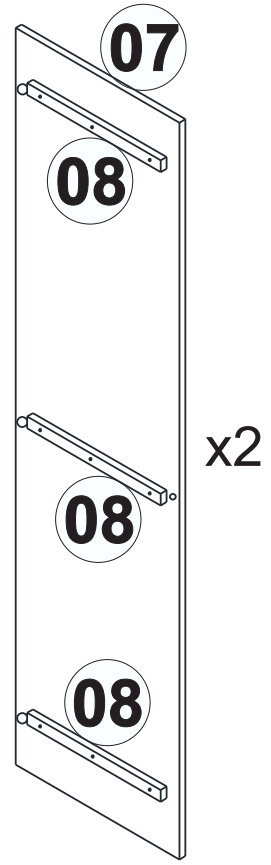
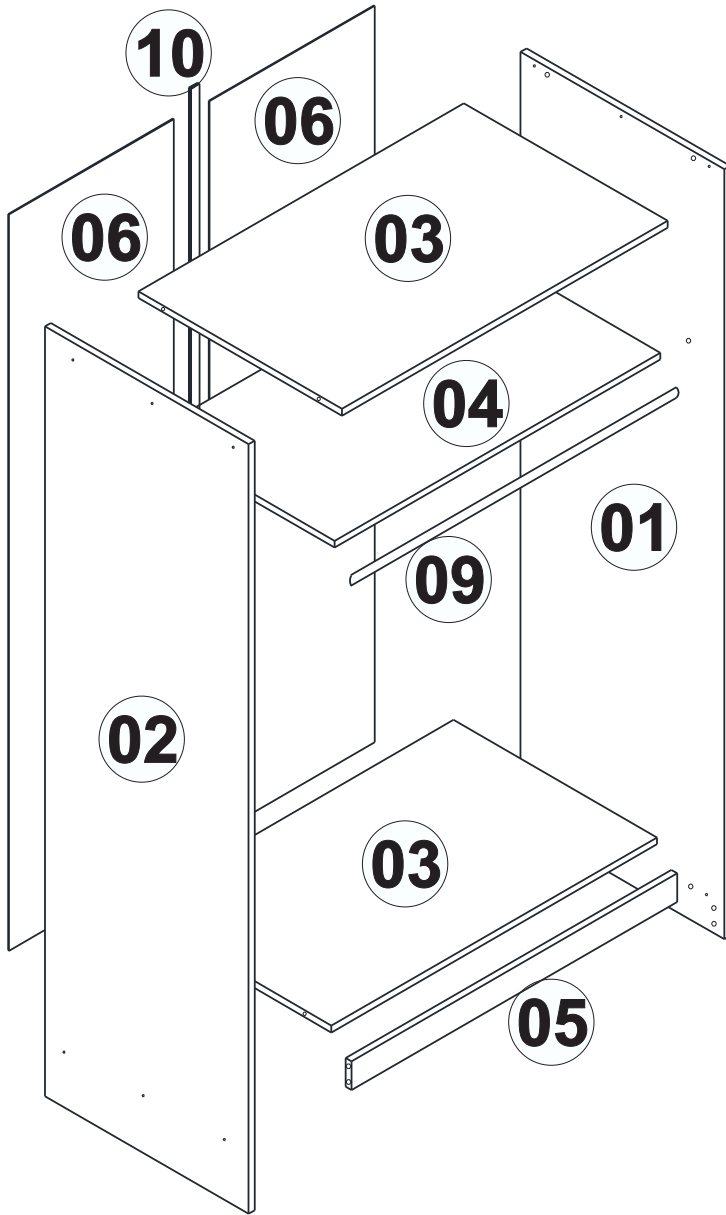
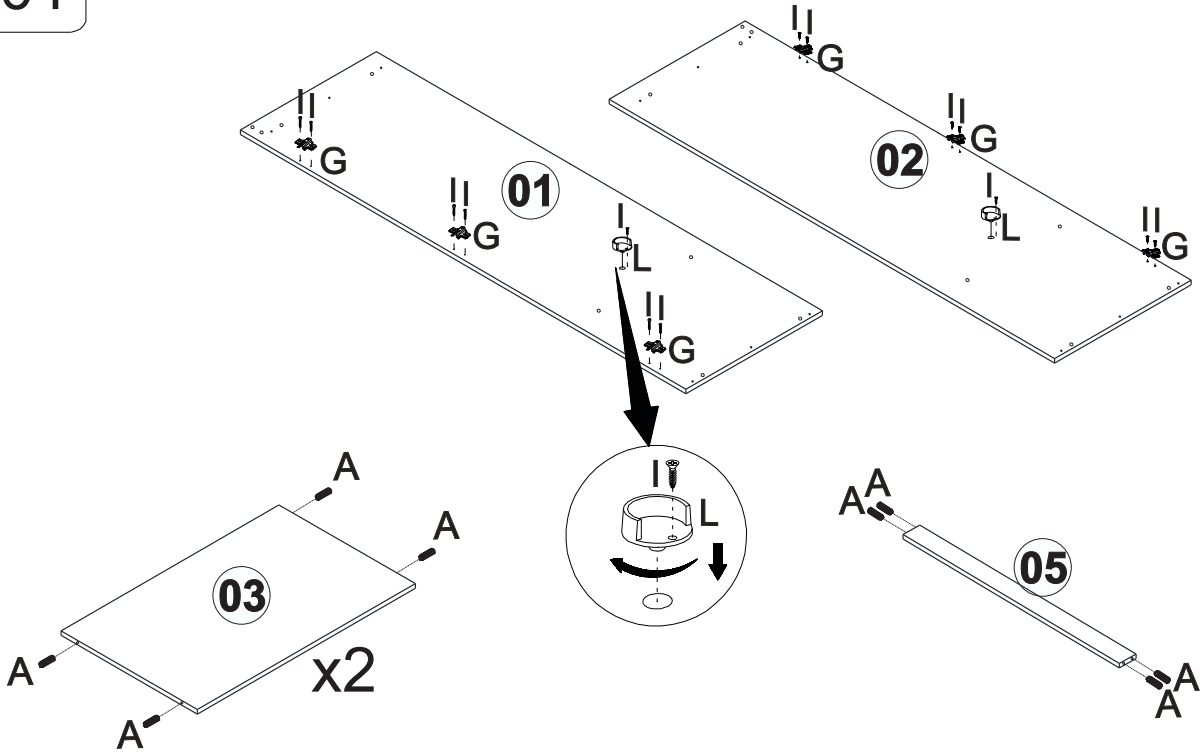


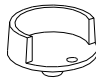
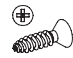


A	 8.0 x 30 x12	D	 1.5x23 x32	G	 x06	J	 x01	N	 x02
B	 7.0 x 50 x12	E	 4.0 x 25 x18	H	 x06	L	 x02	O	 x01
C	 x02	F	 4.0 x 35 x02	I	 3.5x14 x27	M	 x04		

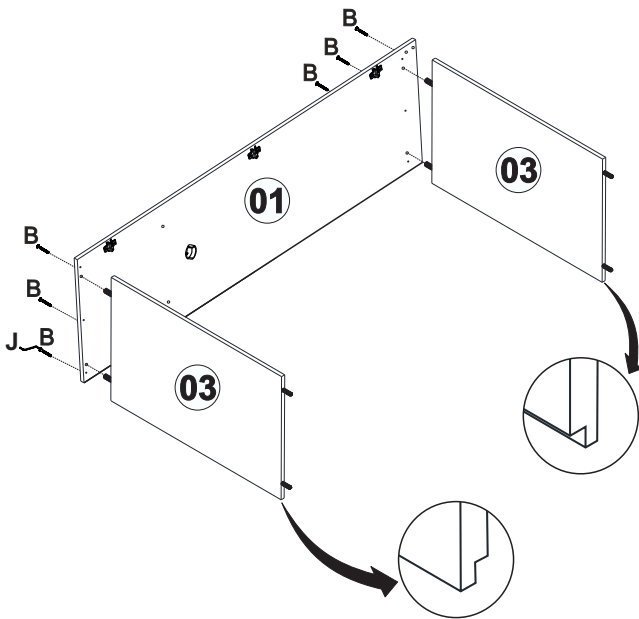


01

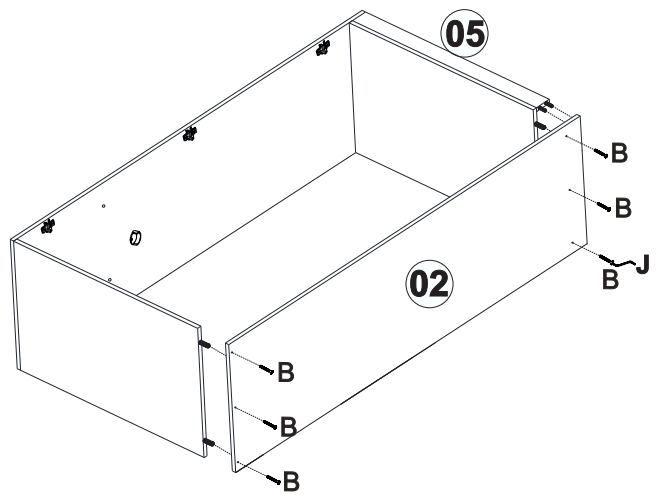




A  8.0 x 30 x12	G  x06	L  x02	I  3.5x14 x14
-----------------------------------------------------------------------------------------------------------	--------------------------------------------------------------------------------------------------	--------------------------------------------------------------------------------------------------	----------------------------------------------------------------------------------------------------------



02



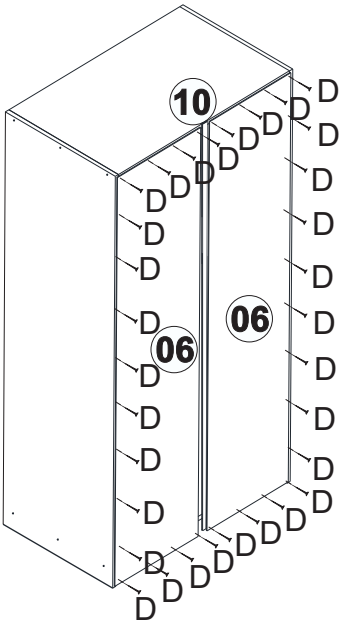
03



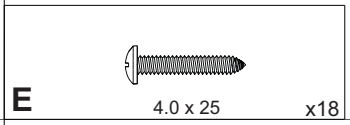
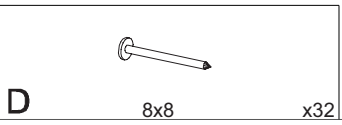
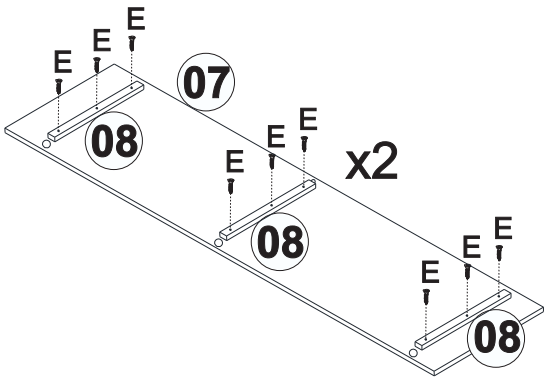
B  7.0 x 50 x06	J  x01
-----------------------------------------------------------------------------------------------------------	--------------------------------------------------------------------------------------------------

B  7.0 x 50 x06	J  x01
-----------------------------------------------------------------------------------------------------------	----------------------------------------------------------------------------------------------------

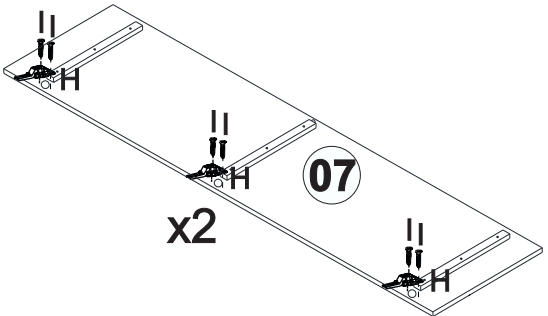
04



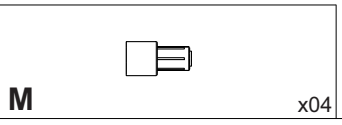
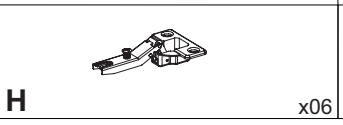
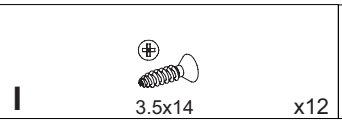
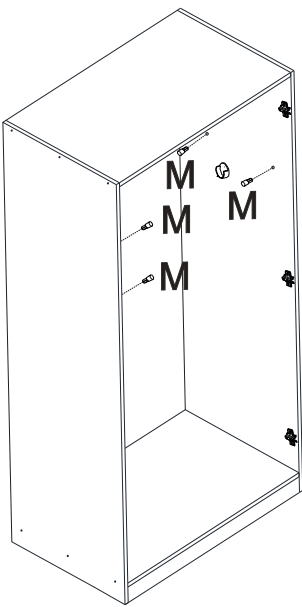
05



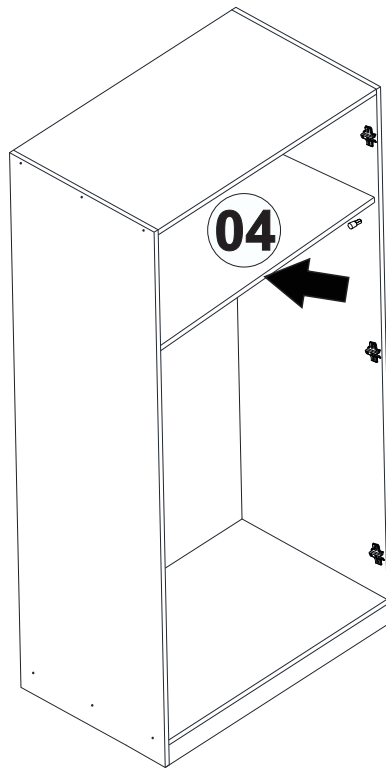
06



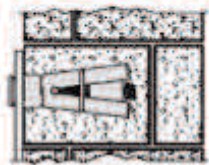
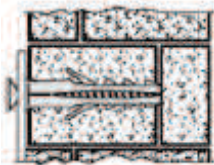
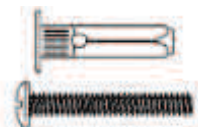
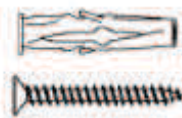
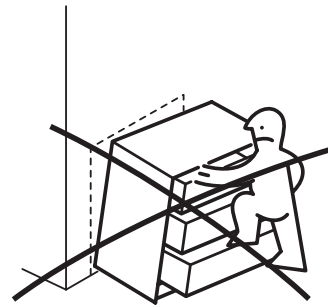
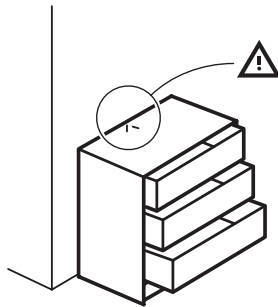
07



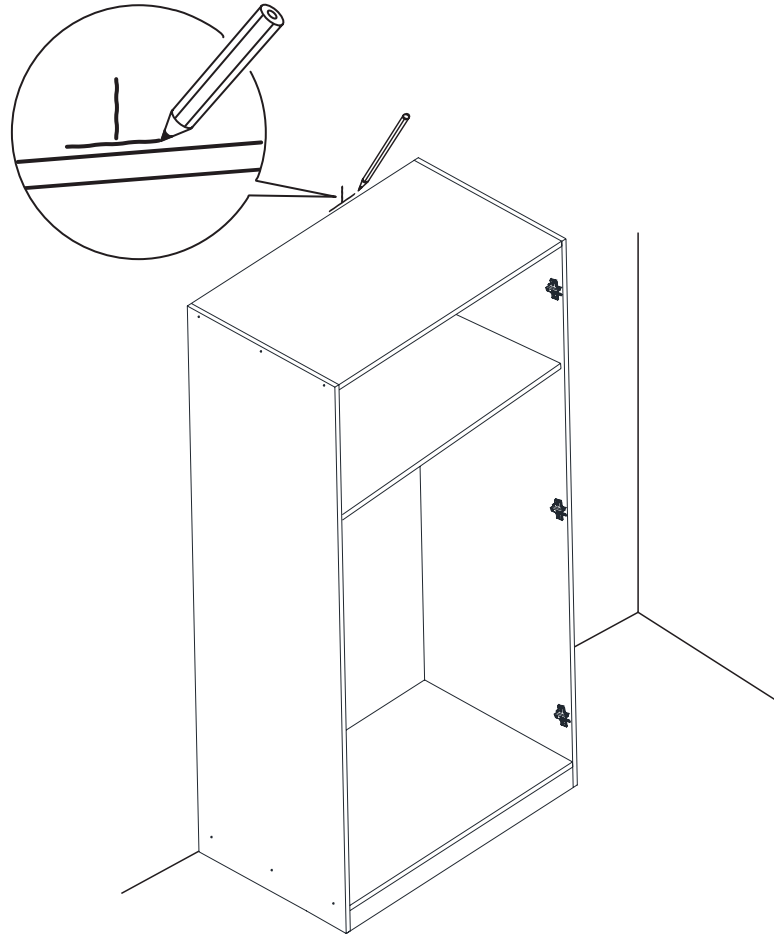
08



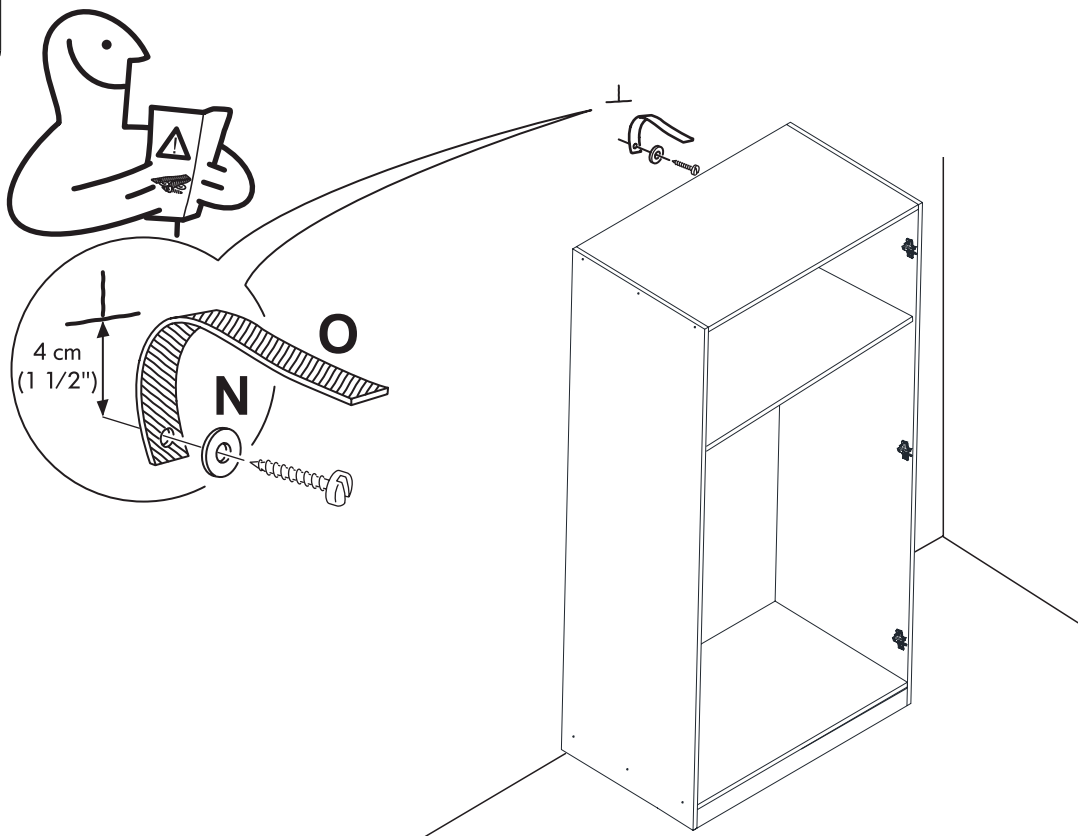
09



10



11



O



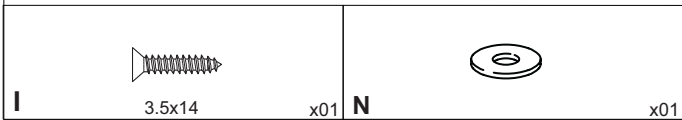
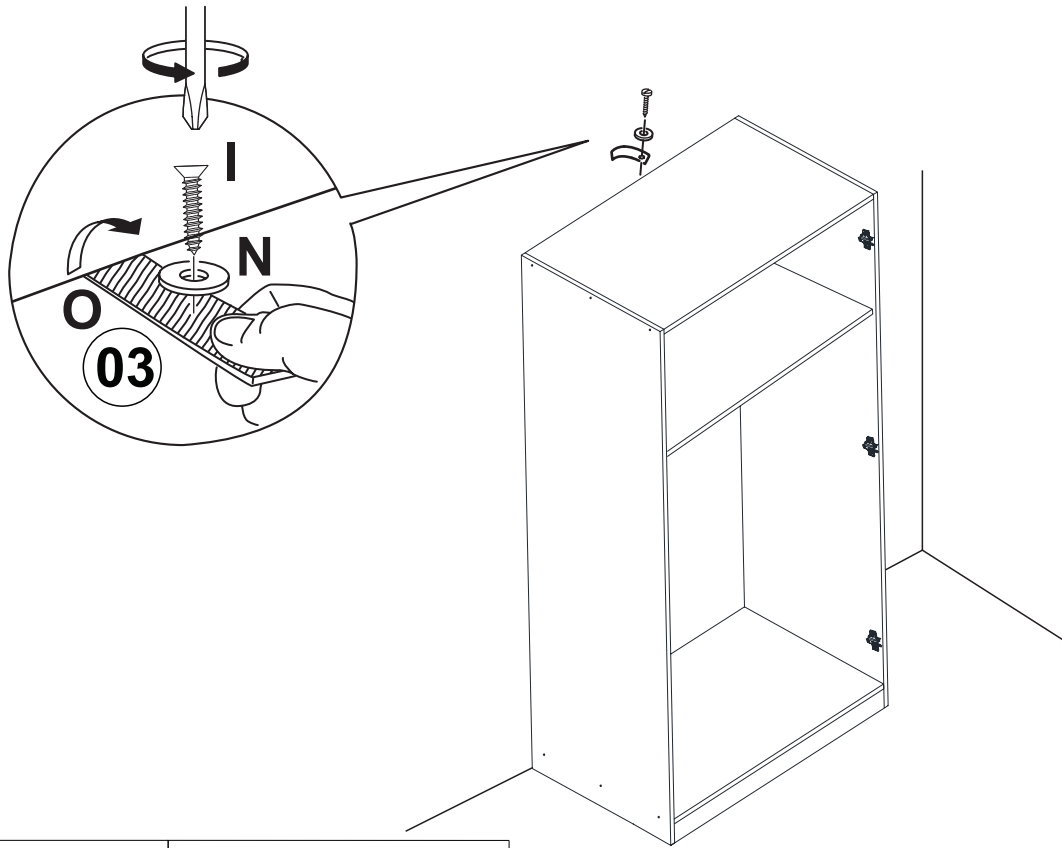
x01

N



x01

12



13

