


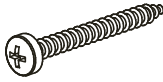

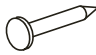
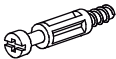




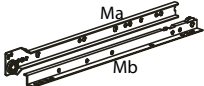
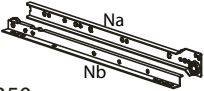
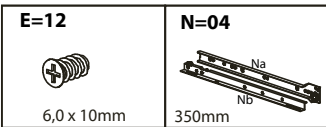
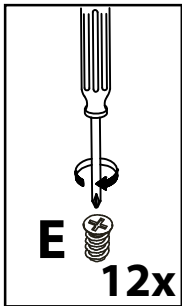
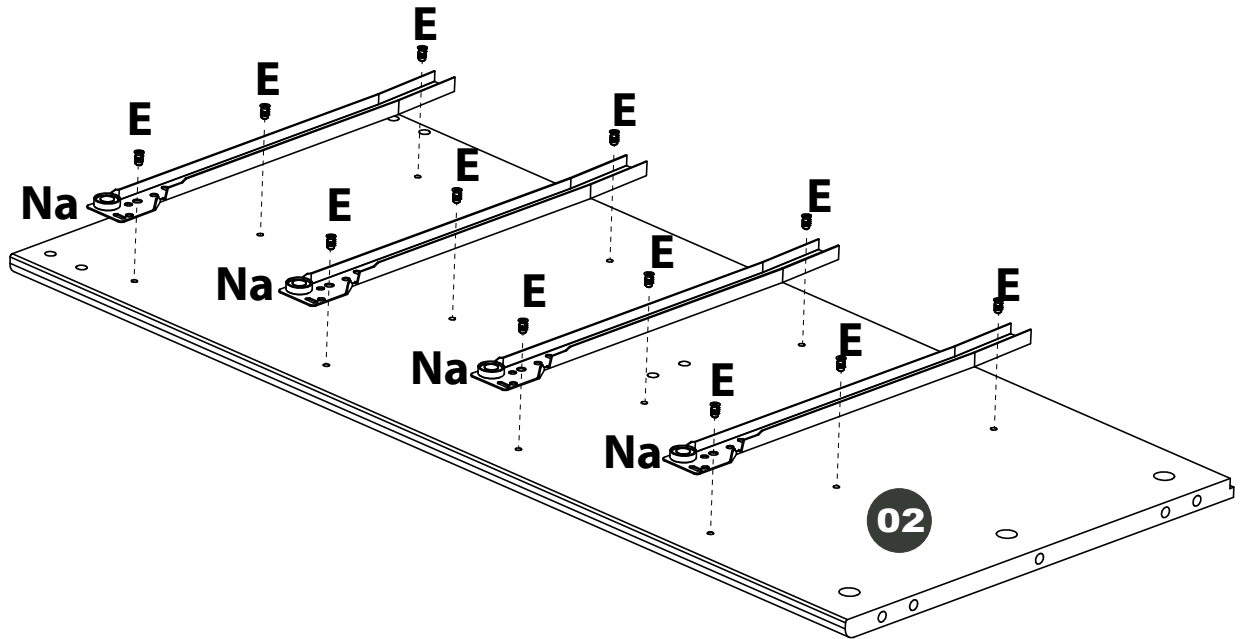
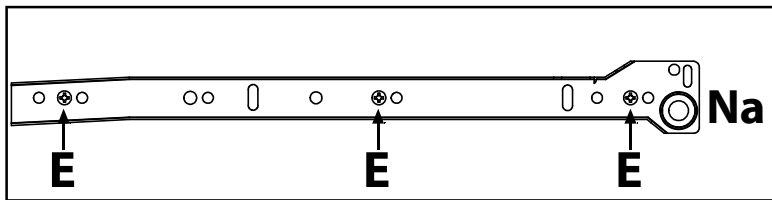
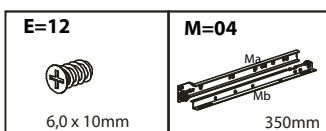
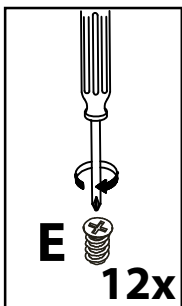
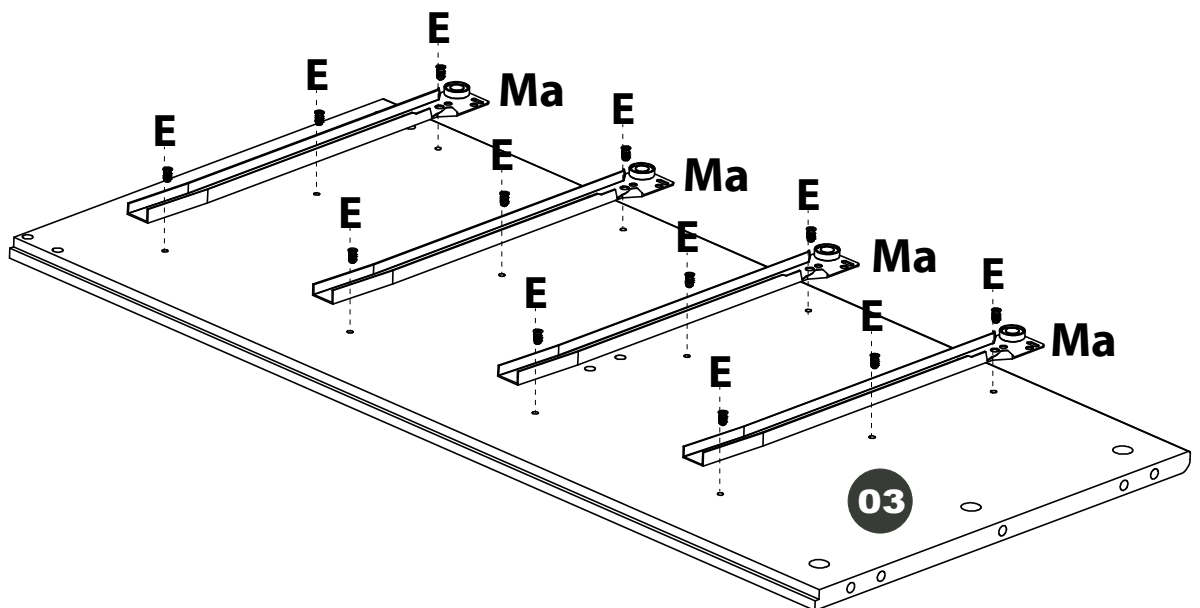
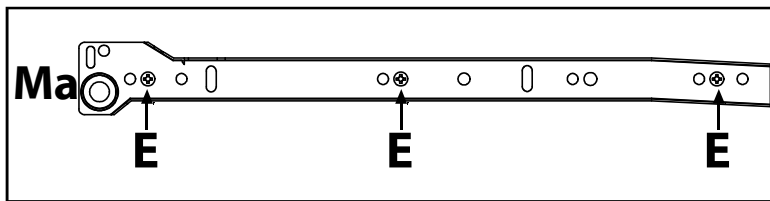


<b>A=32</b>  8,0 x 30mm	<b>B=38</b>  3,5 x 30mm	<b>C=25</b>  3,0 x 16mm	<b>D=08</b>  4,0 x 40mm	<b>E=24</b>  6,0 x 10mm
<b>F=23</b>  8,0 x 8,0mm	<b>G=06</b>  350mm	<b>H=06</b>  350mm	<b>I=02</b> 	<b>J=01</b> 
<b>L=08</b> 	<b>M=04</b>  350mm	<b>N=04</b>  350mm		

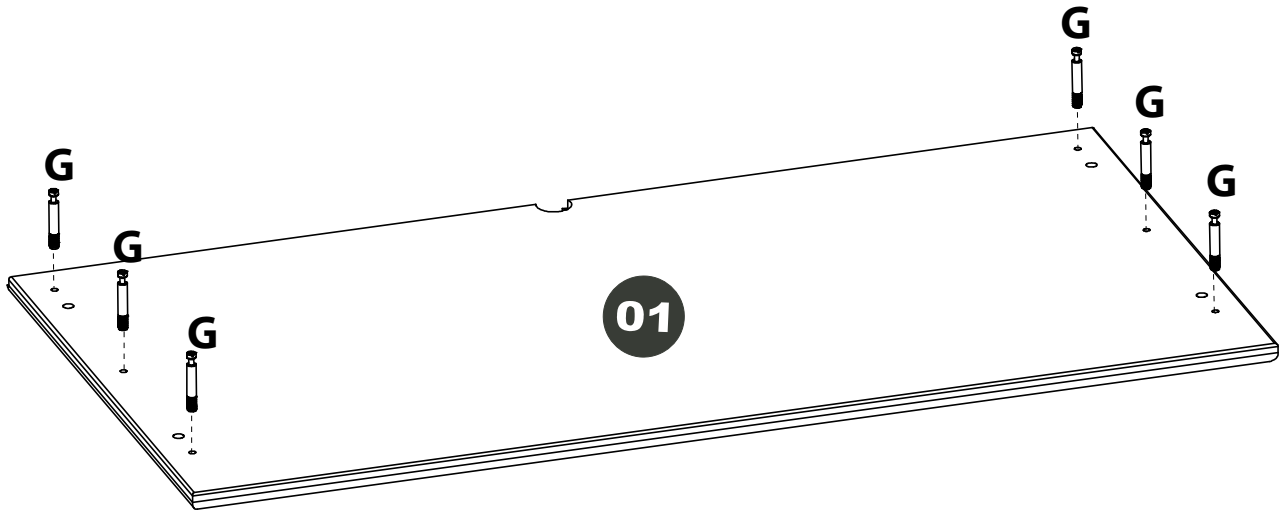
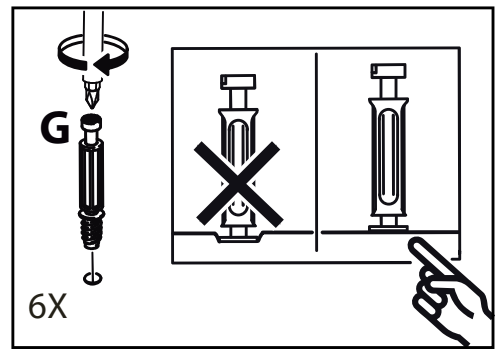
1



2



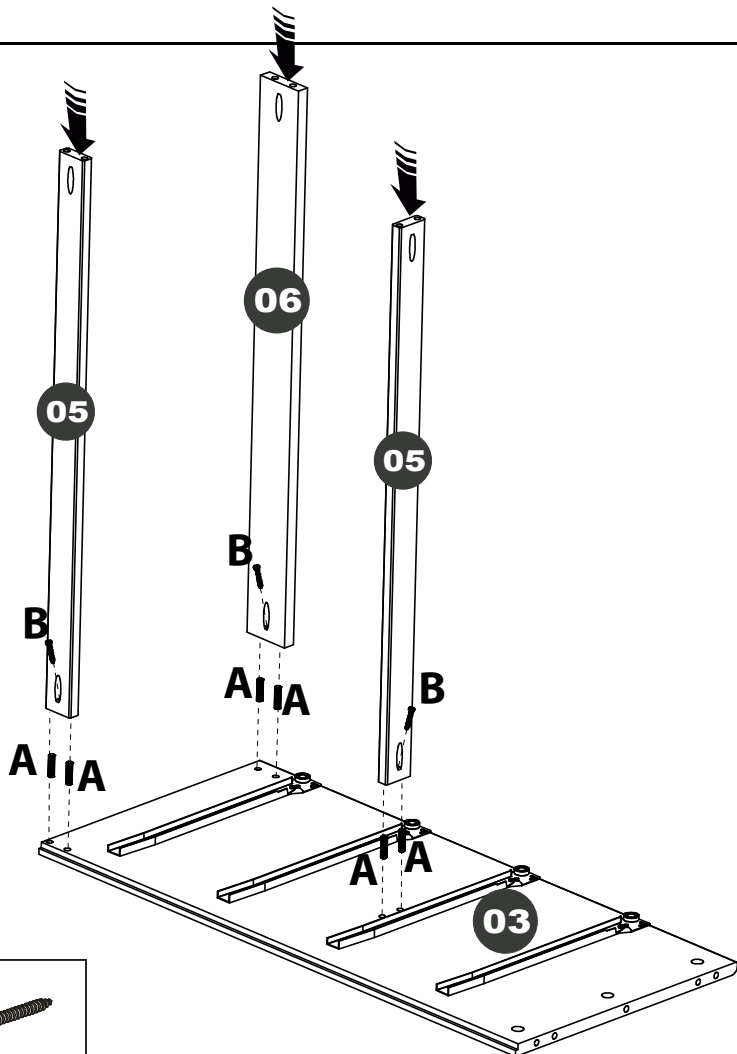
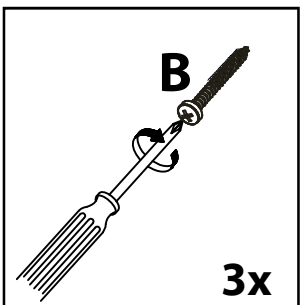
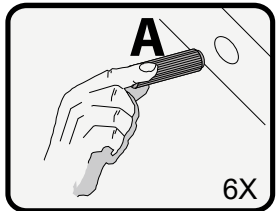
3



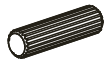
G=06



4



A=06



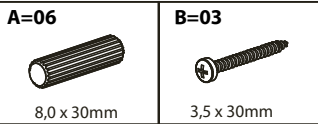
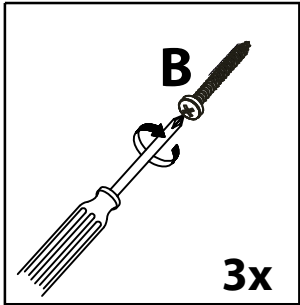
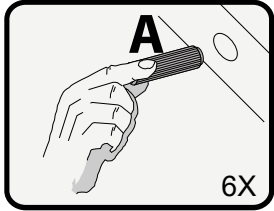
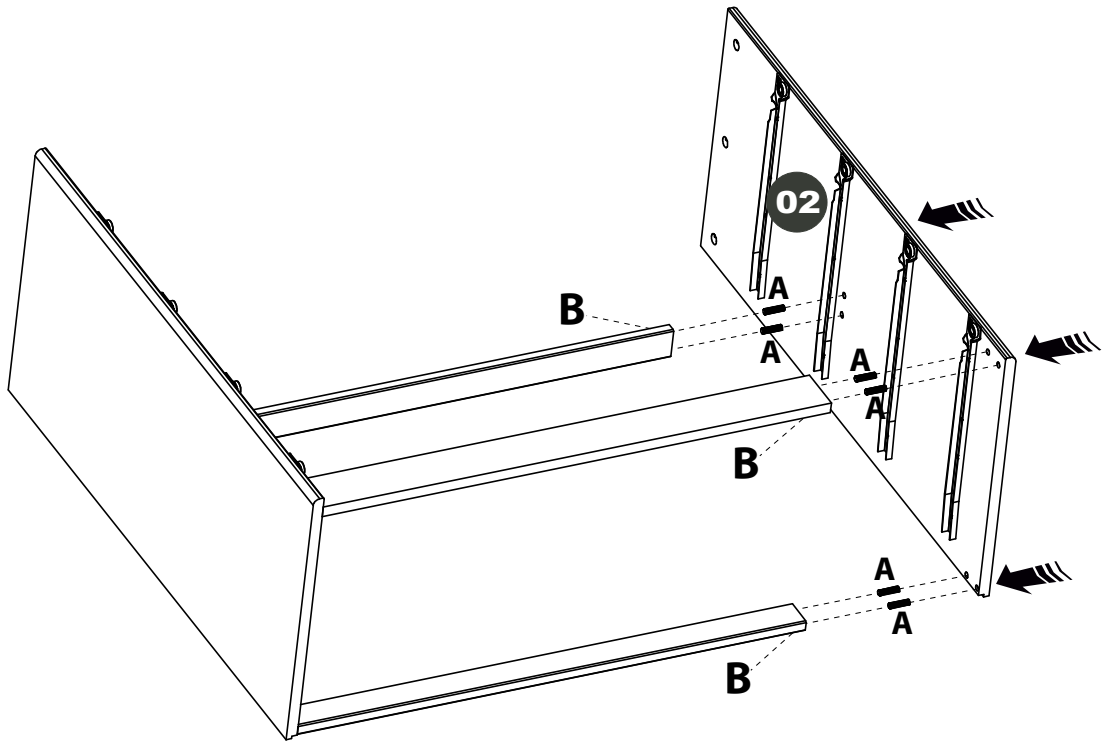
8,0 x 30mm

B=03

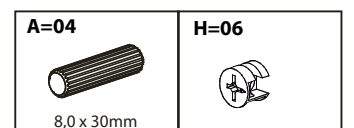
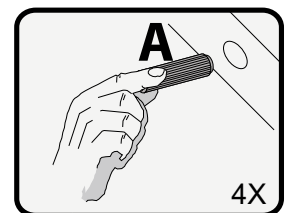
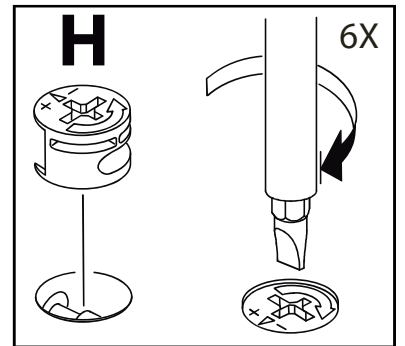
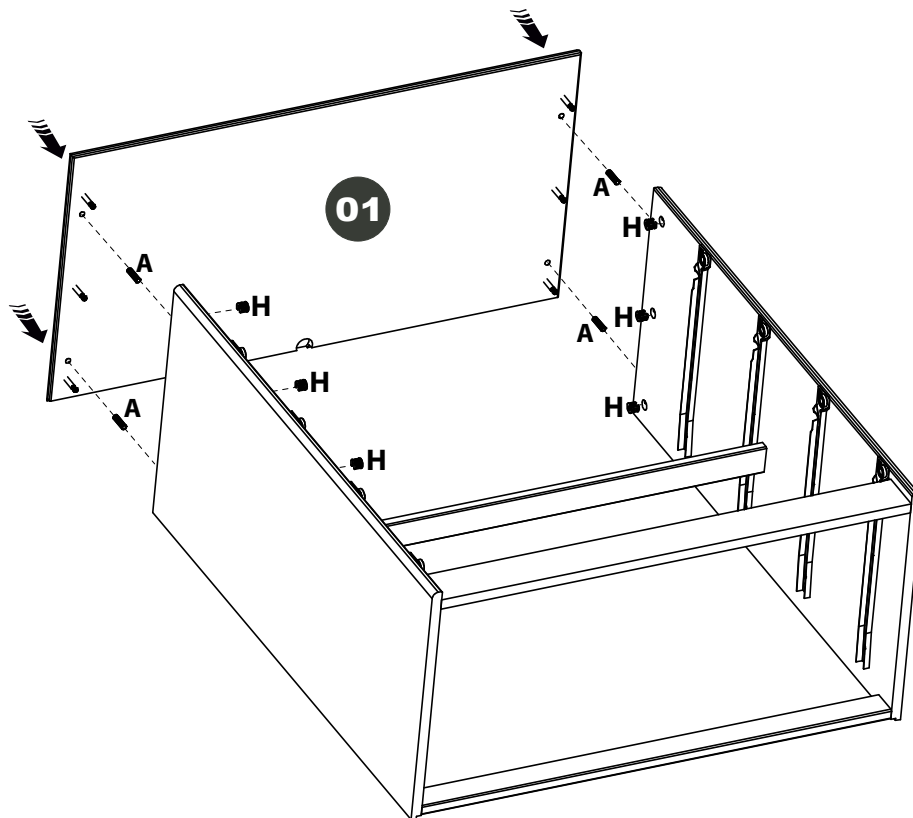


3,5 x 30mm

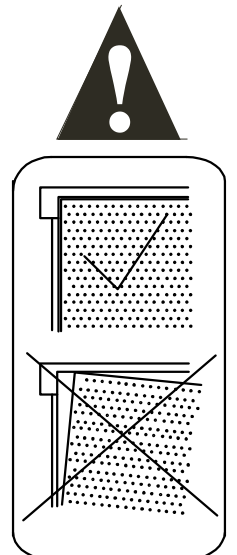
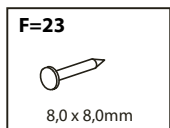
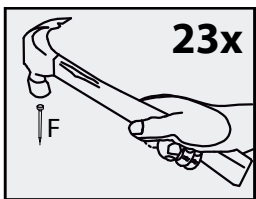
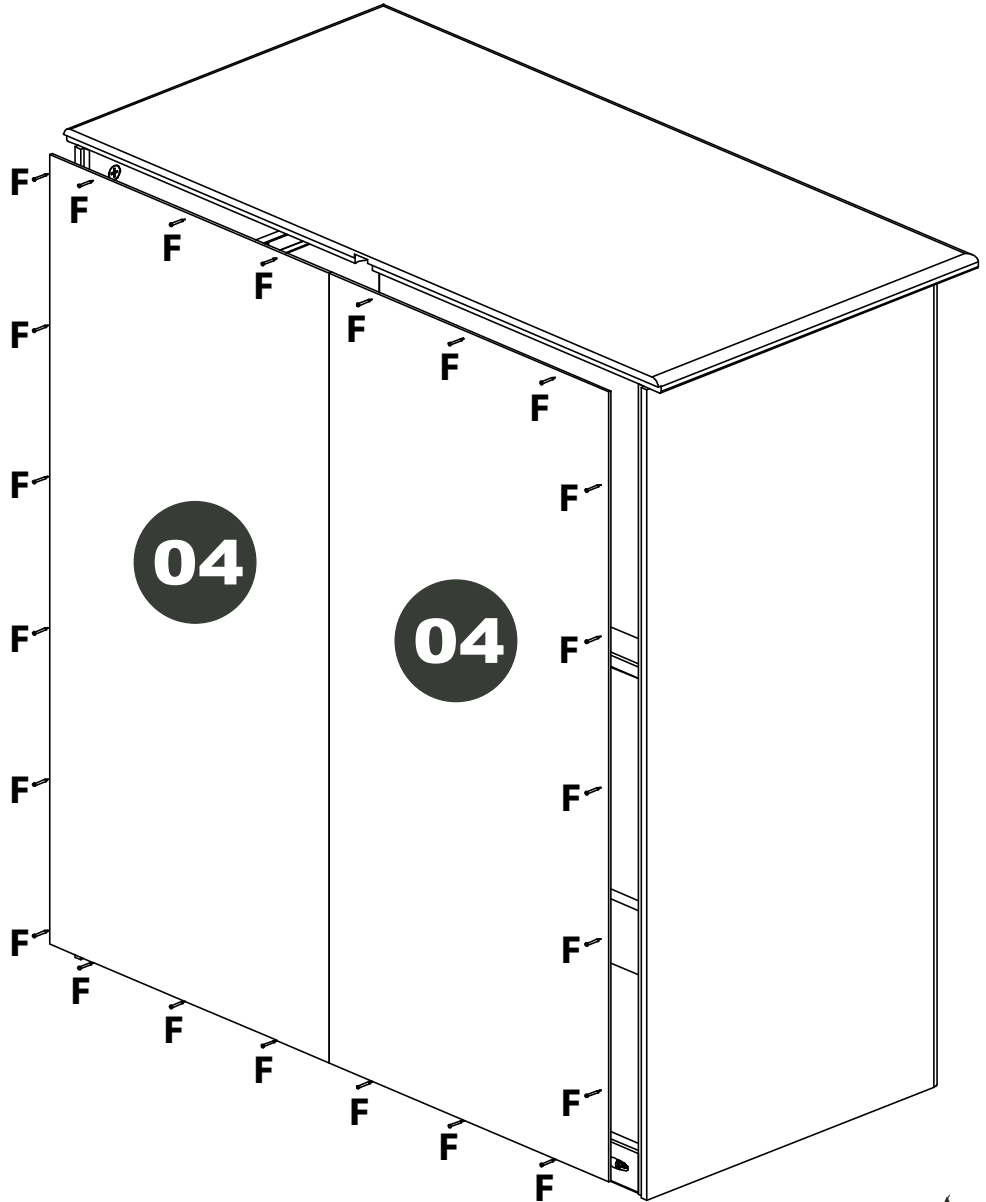
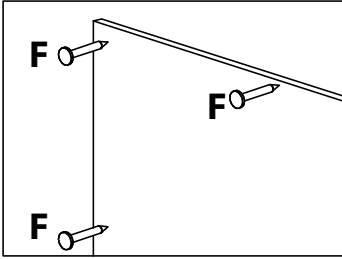
5



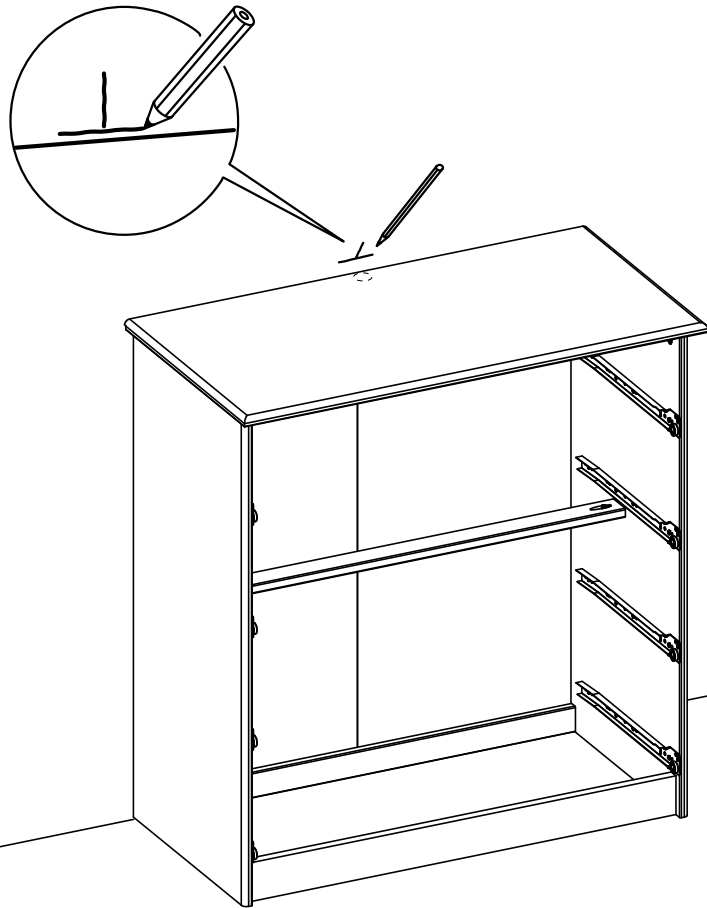
6



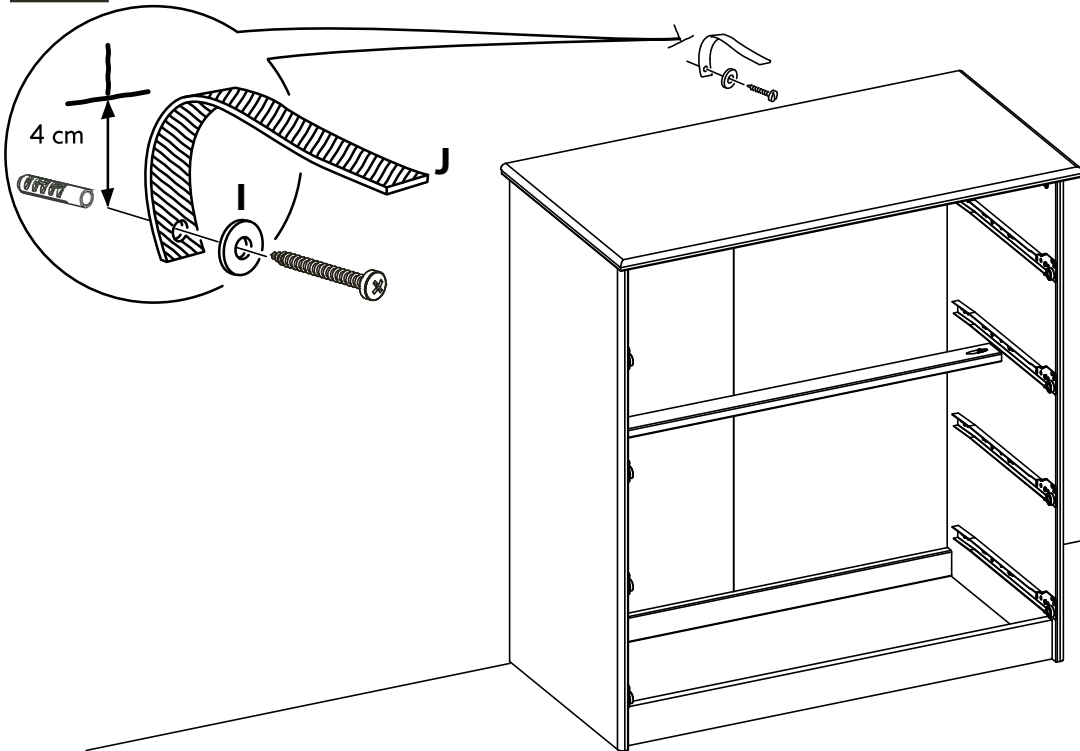
**7**





8

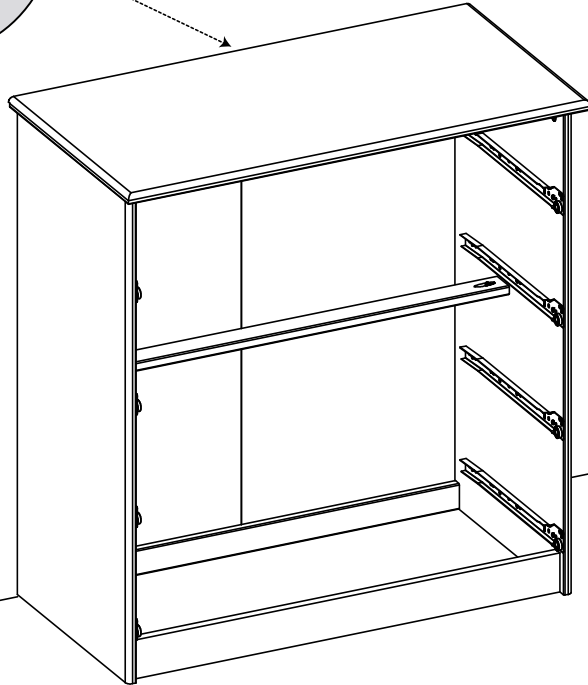
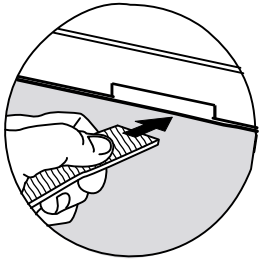


9

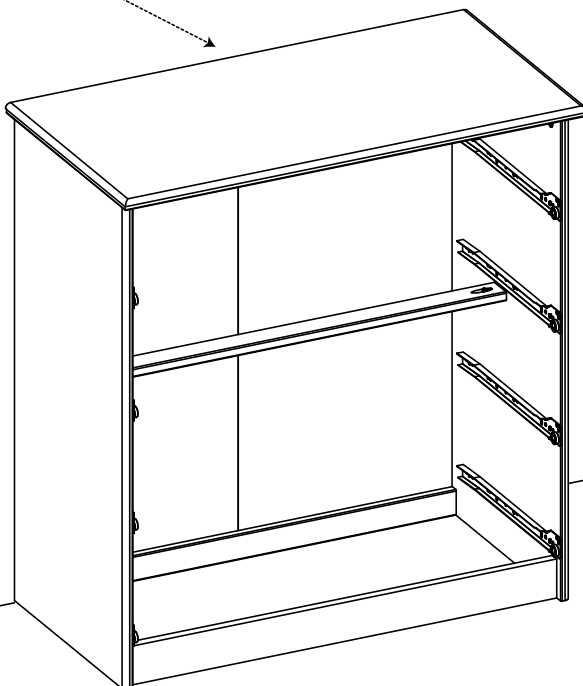
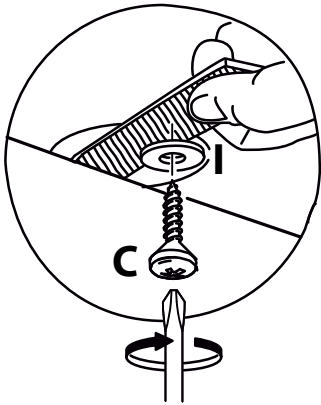




I=01	J=01
	

10



11

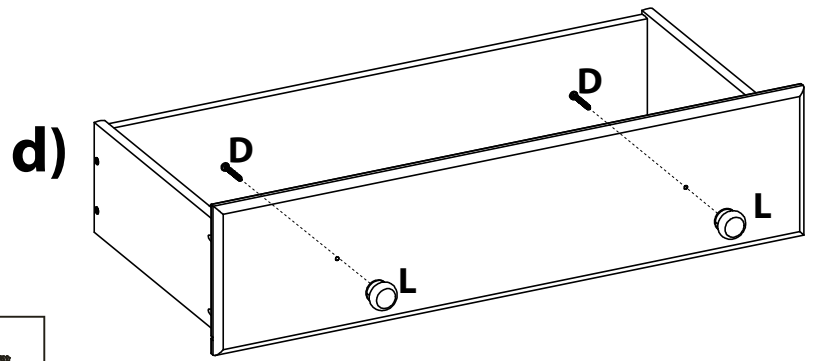
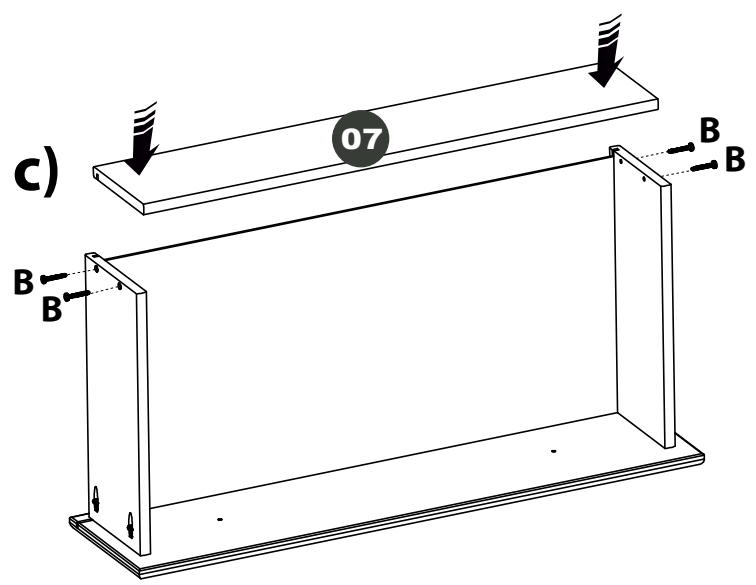
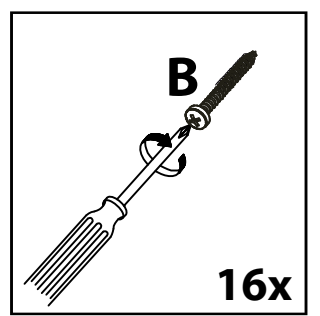
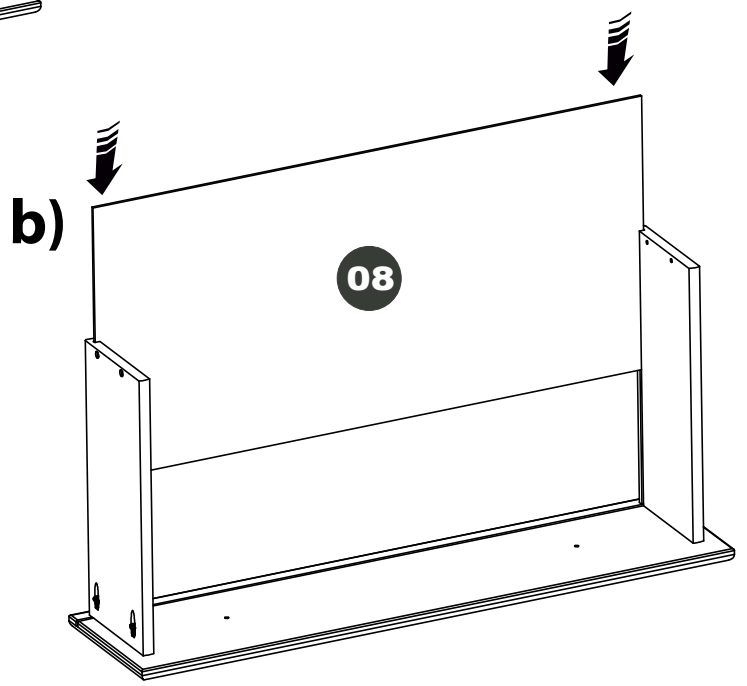
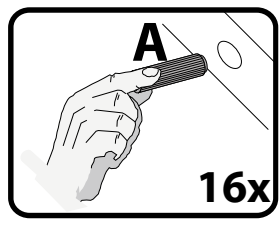
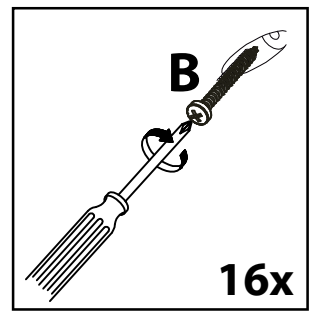
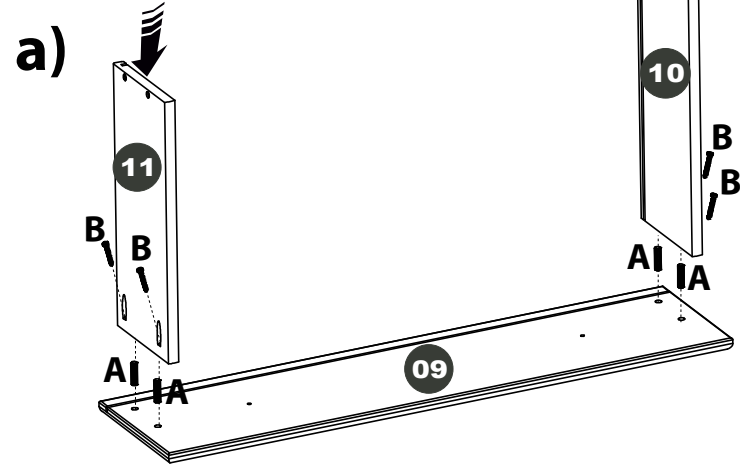


<b>C=01</b>  3,0 x 16mm	<b>I=01</b> 
--	--



12

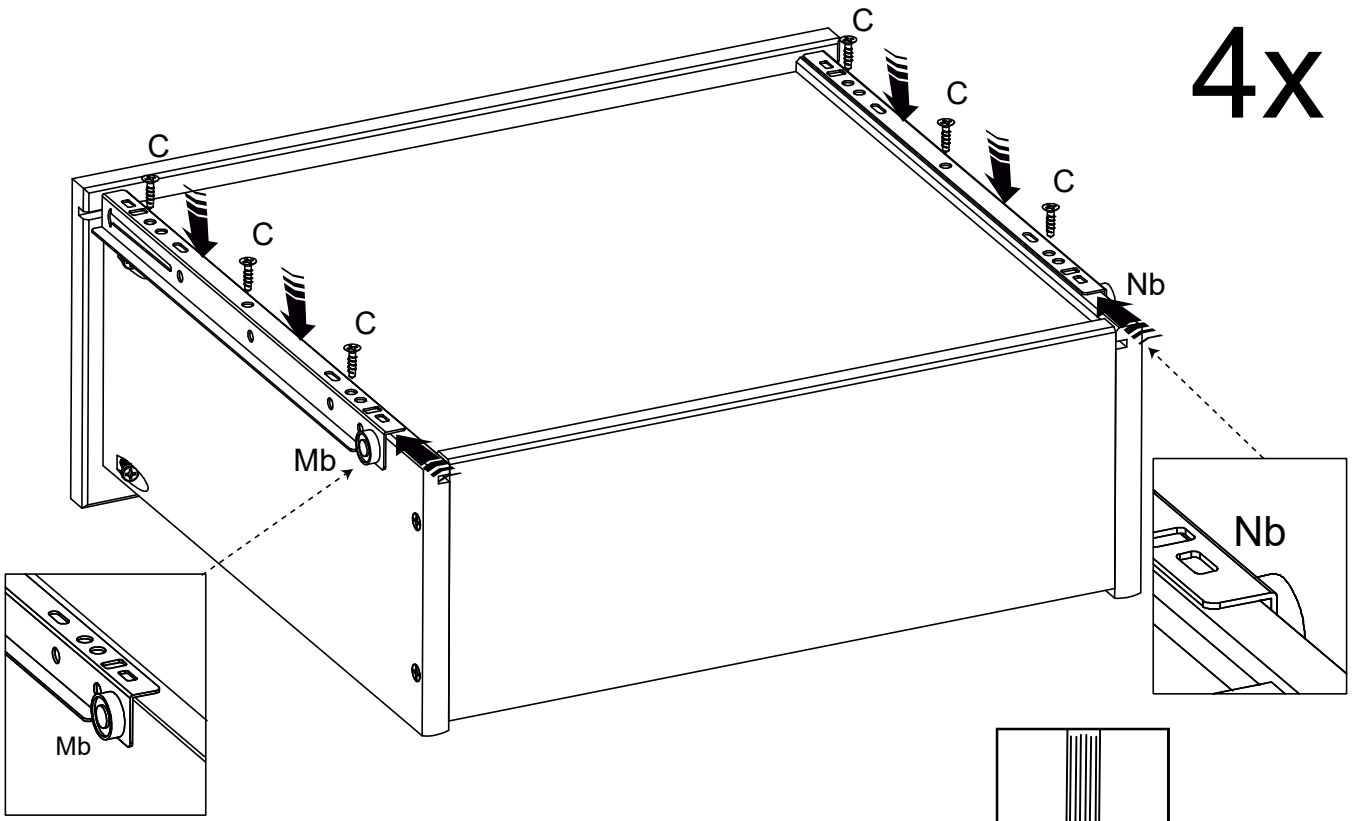
4X



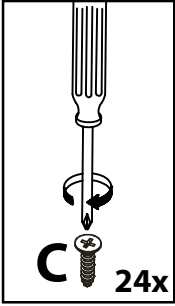
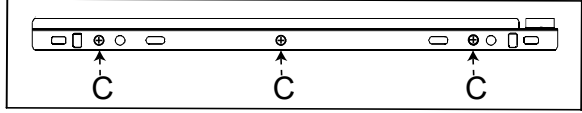
L=08	D=08	A=16	B=32
	4,0 x 40mm	8,0 x 30mm	3,5 x 30mm

13

4x



<b>M=04</b>  350mm	<b>N=04</b>  350mm	<b>C=24</b>  3,0 x 16mm
--------------------------	--------------------------	-------------------------------



14

