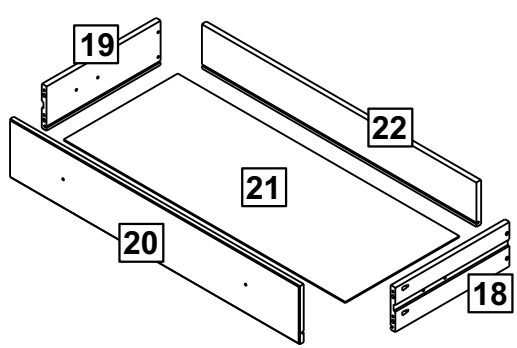

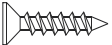
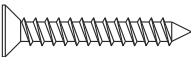
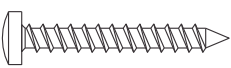

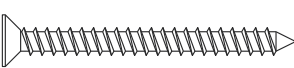
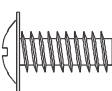
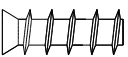
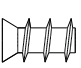
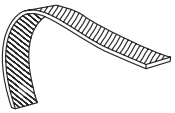


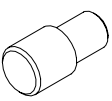
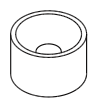
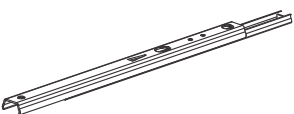
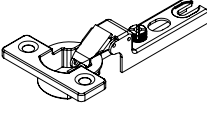
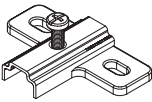
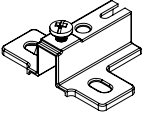

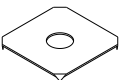
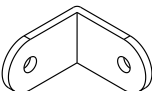


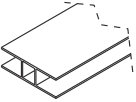


12x 

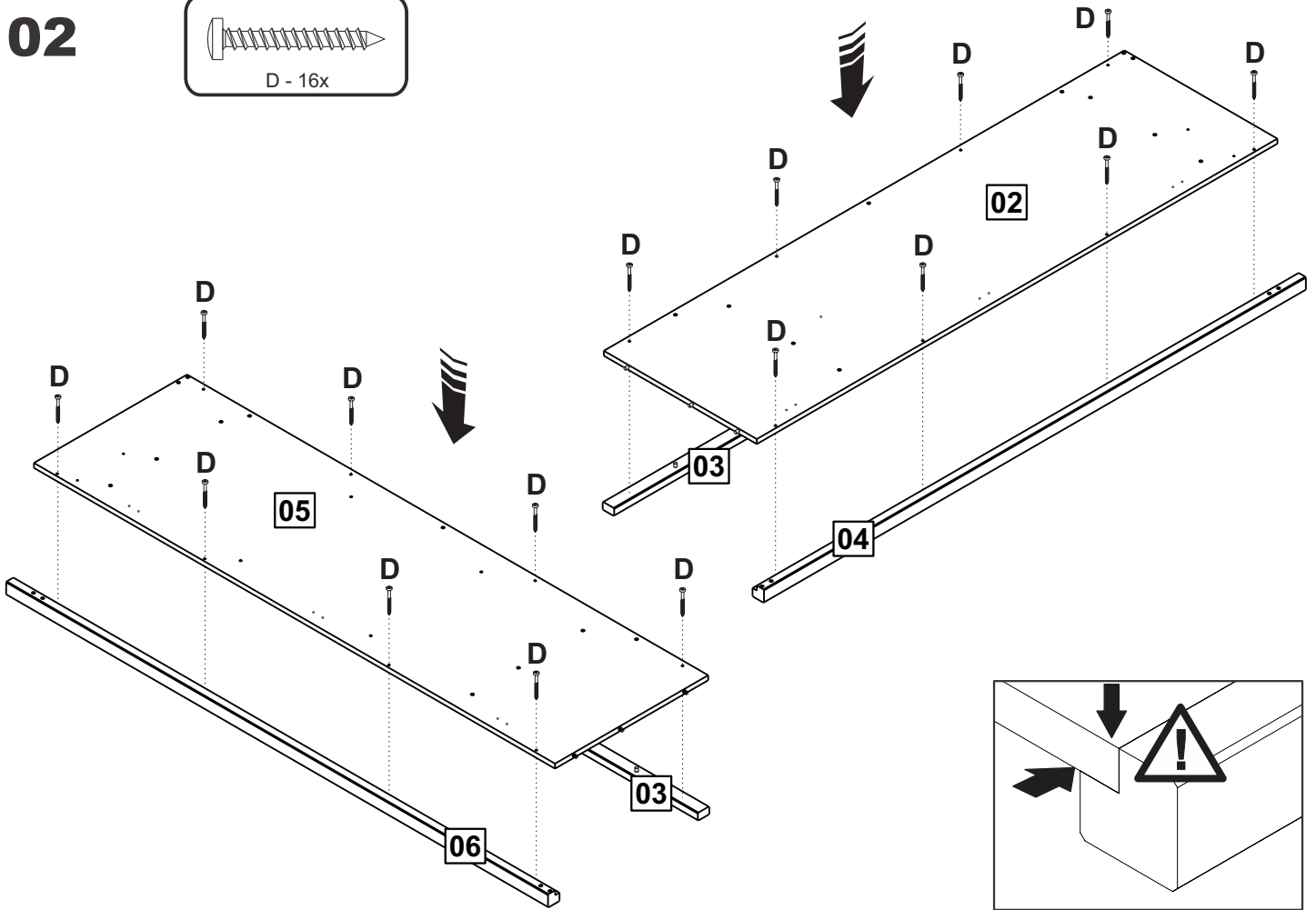
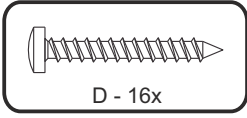
2x



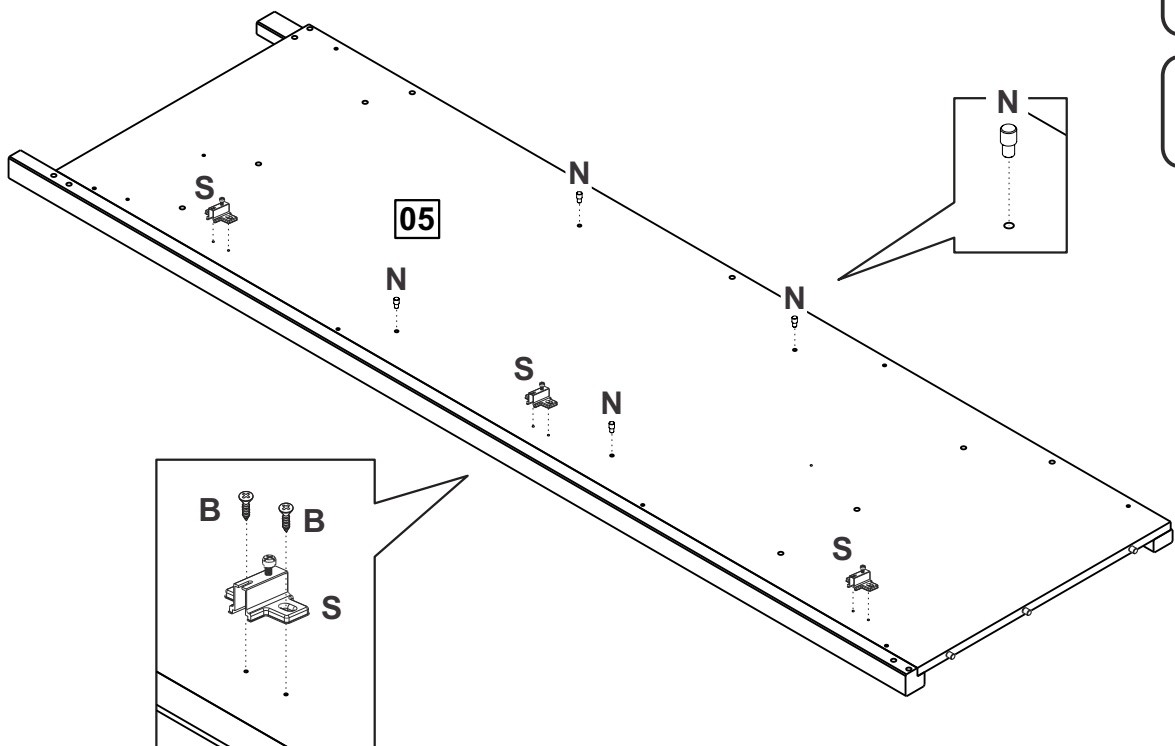
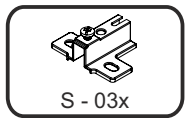
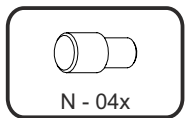
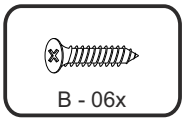
A		8,0x30	63
B		3,5x14	91
C		4,0x25	36
D		4,0x30	72
E		3,5x20	06
F		4,0x40	09
G		4,0x12	04
H		6,0x20	04
J		6,0x08	04
K			01
L			02
M			08
N			08
O			04
P			04

Q			12
R			06
S			06
T			60
U			10
V			02
W			02
X			08
Y			02

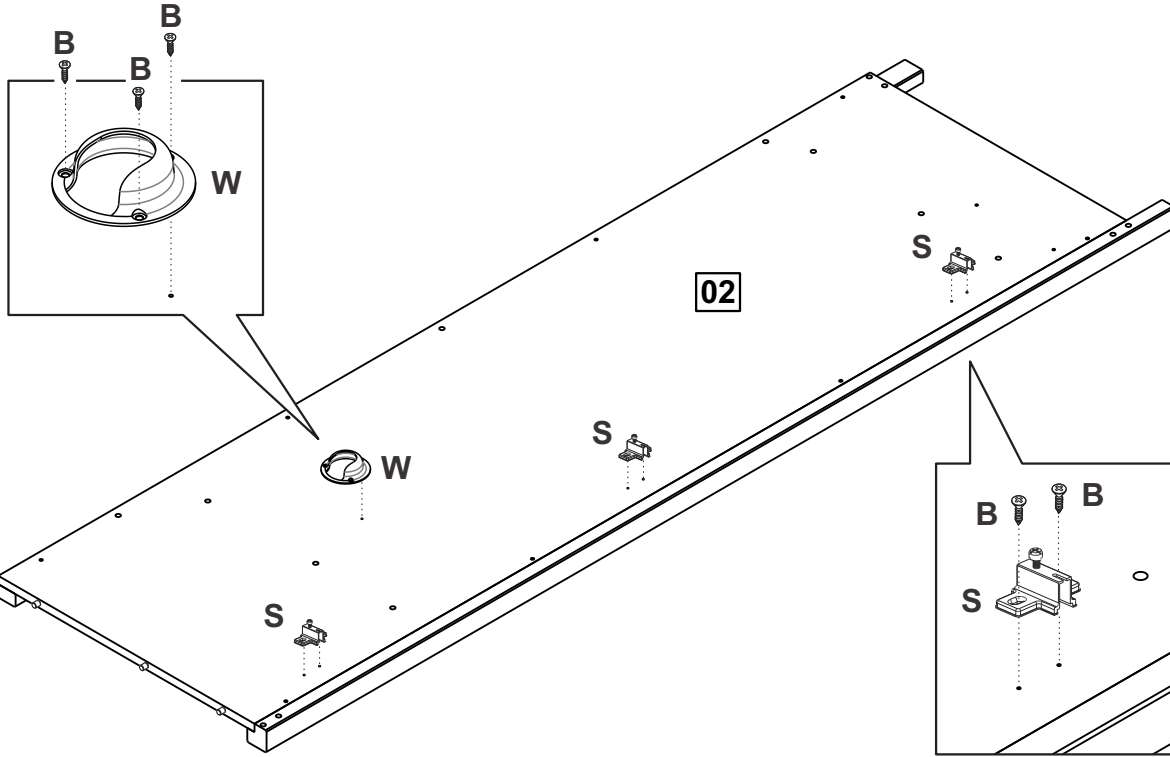
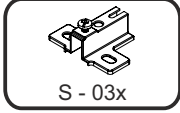
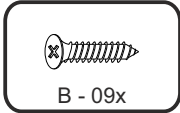
02



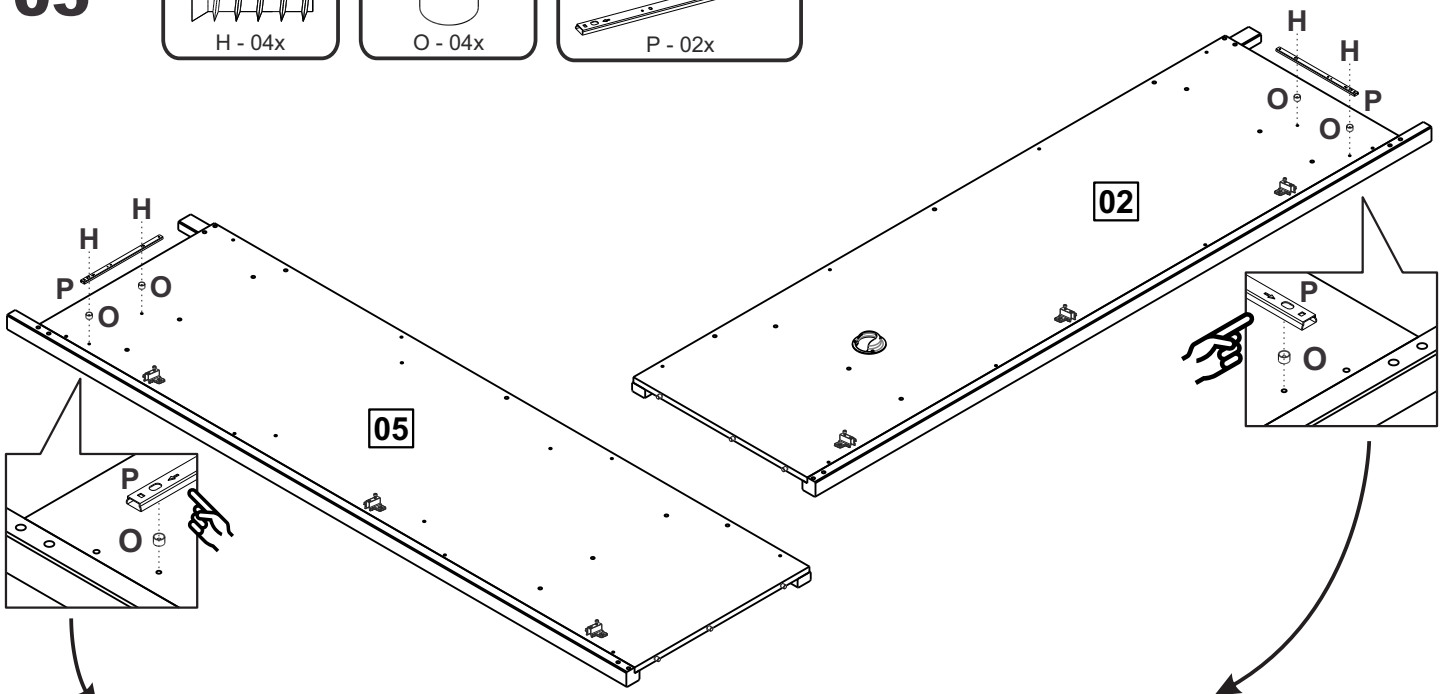
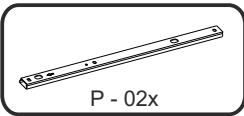
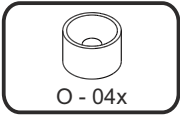
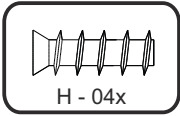
03



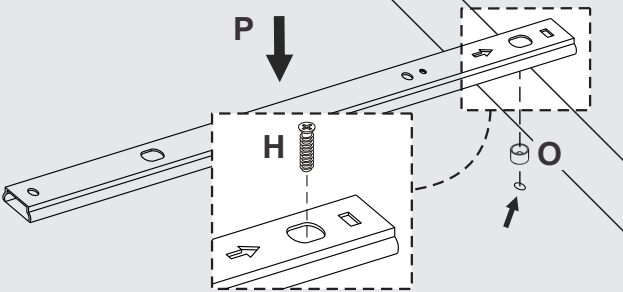
04



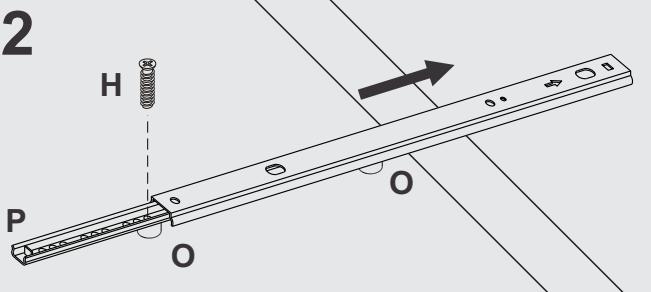
05



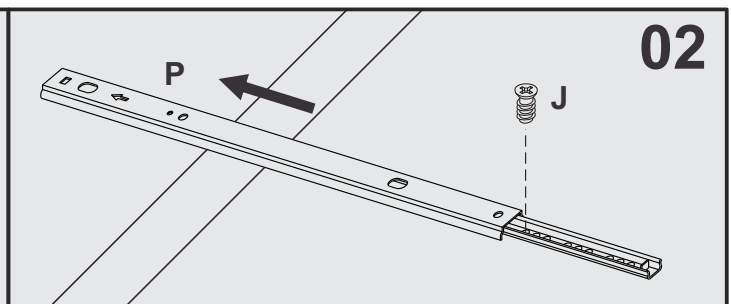
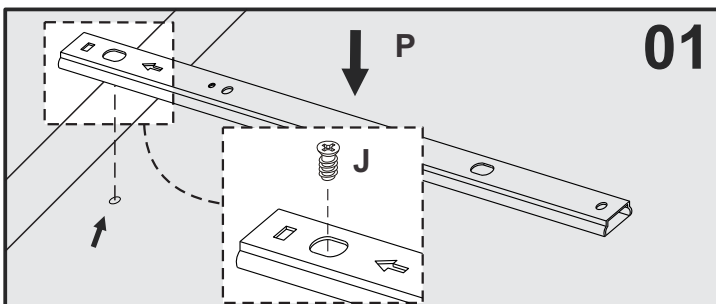
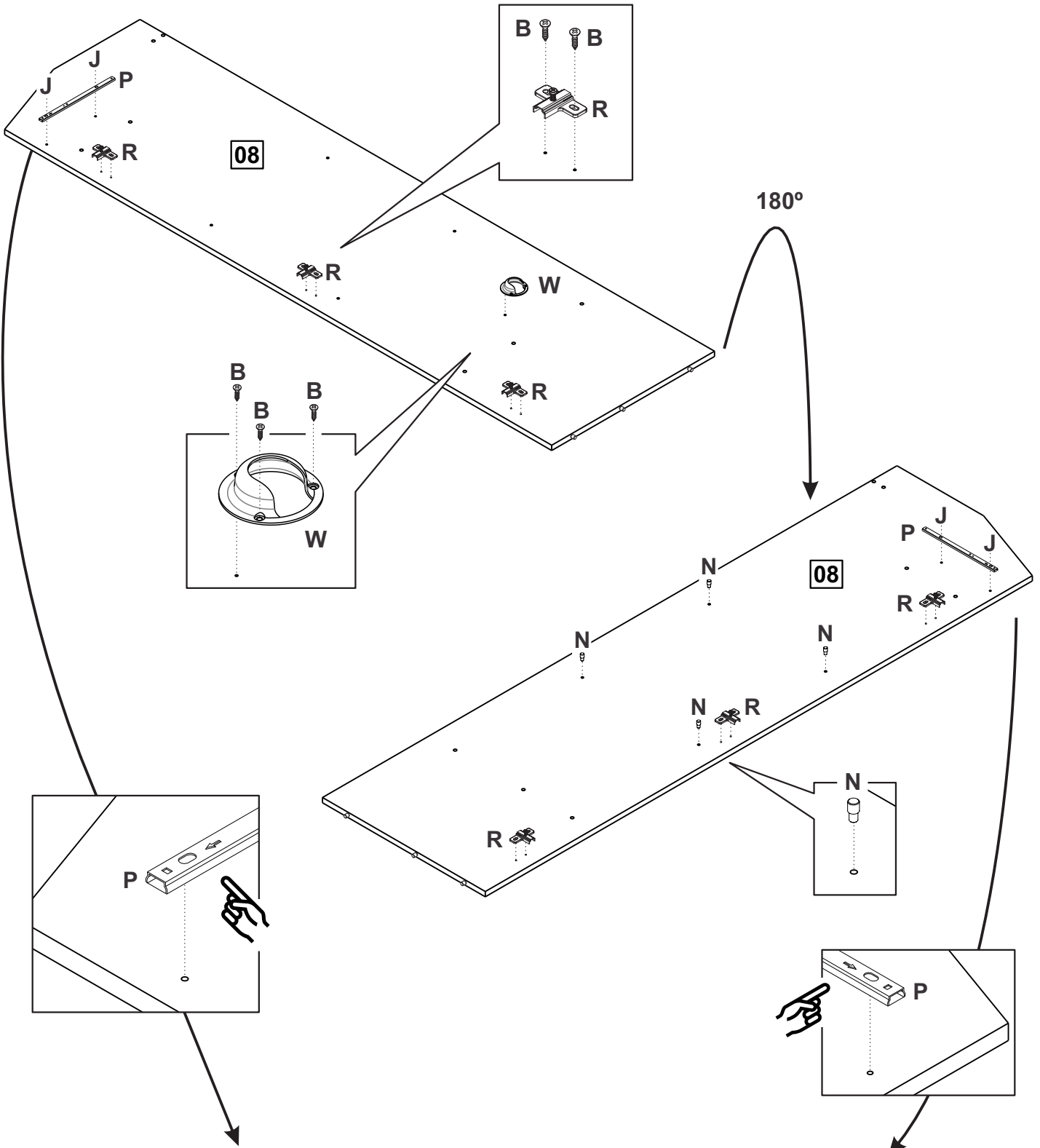
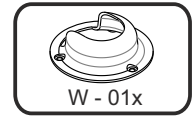
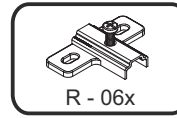
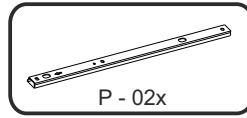
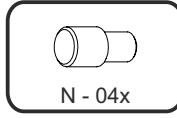
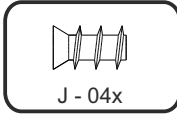
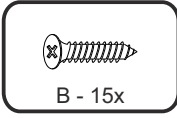
01



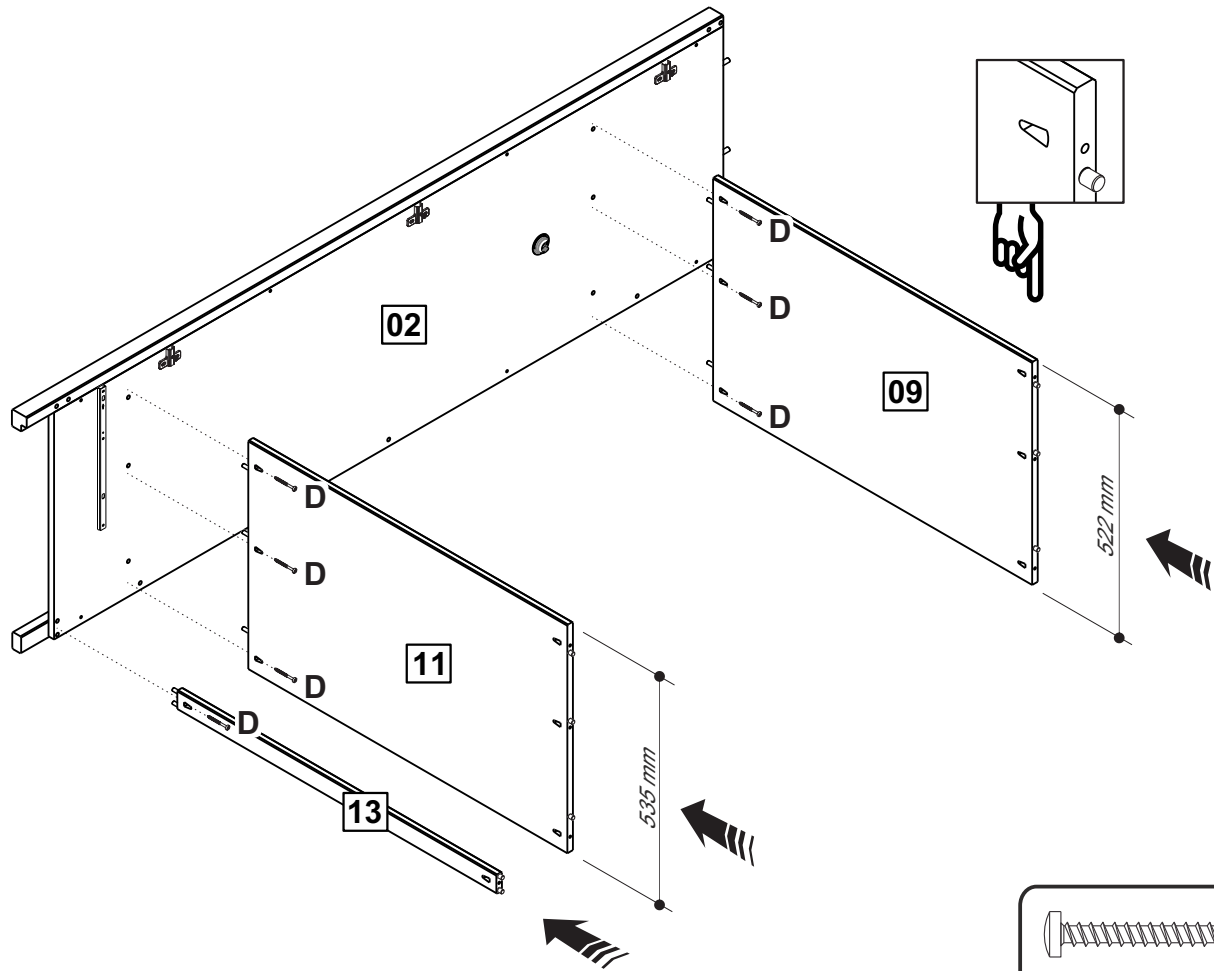
02



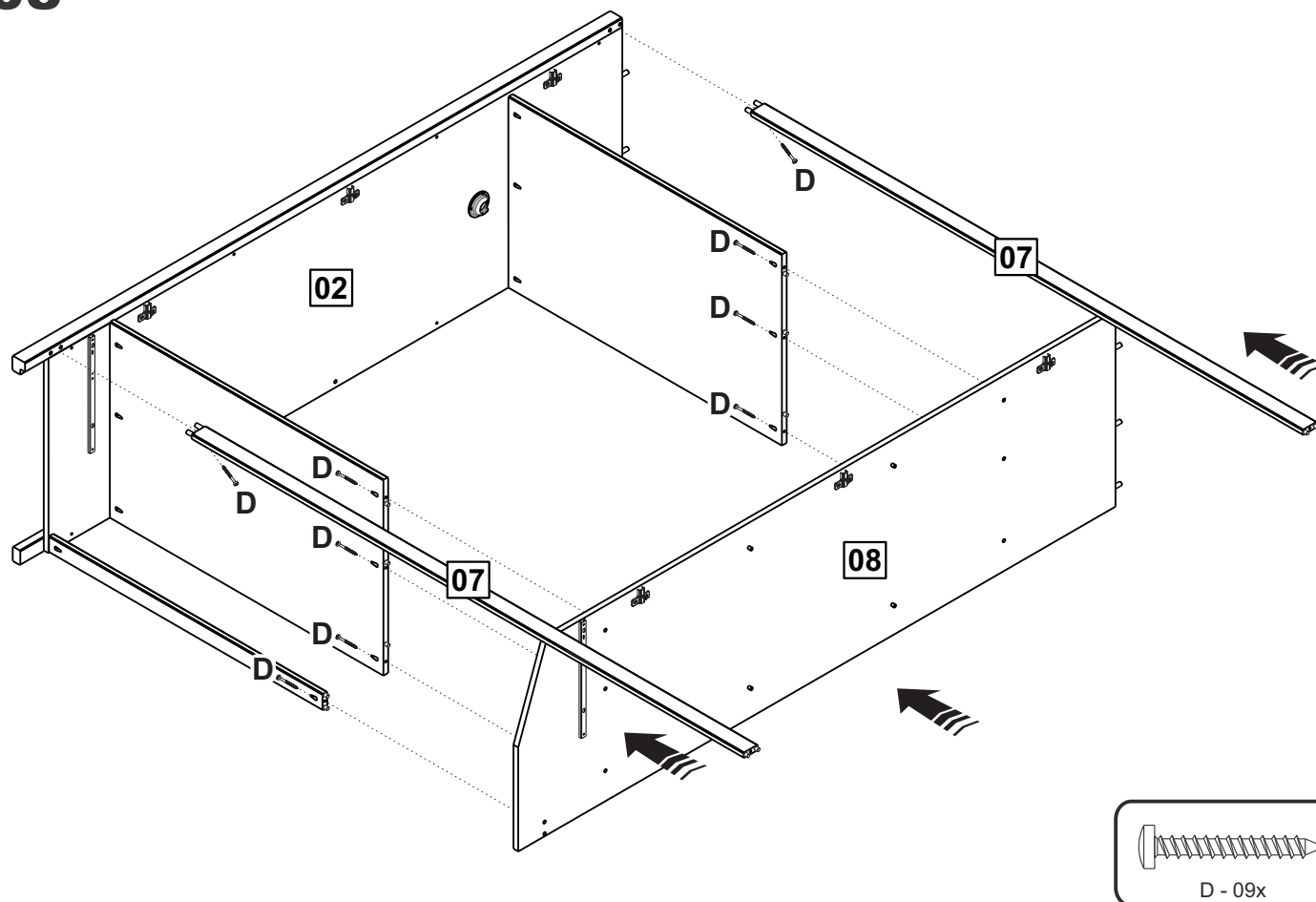
06



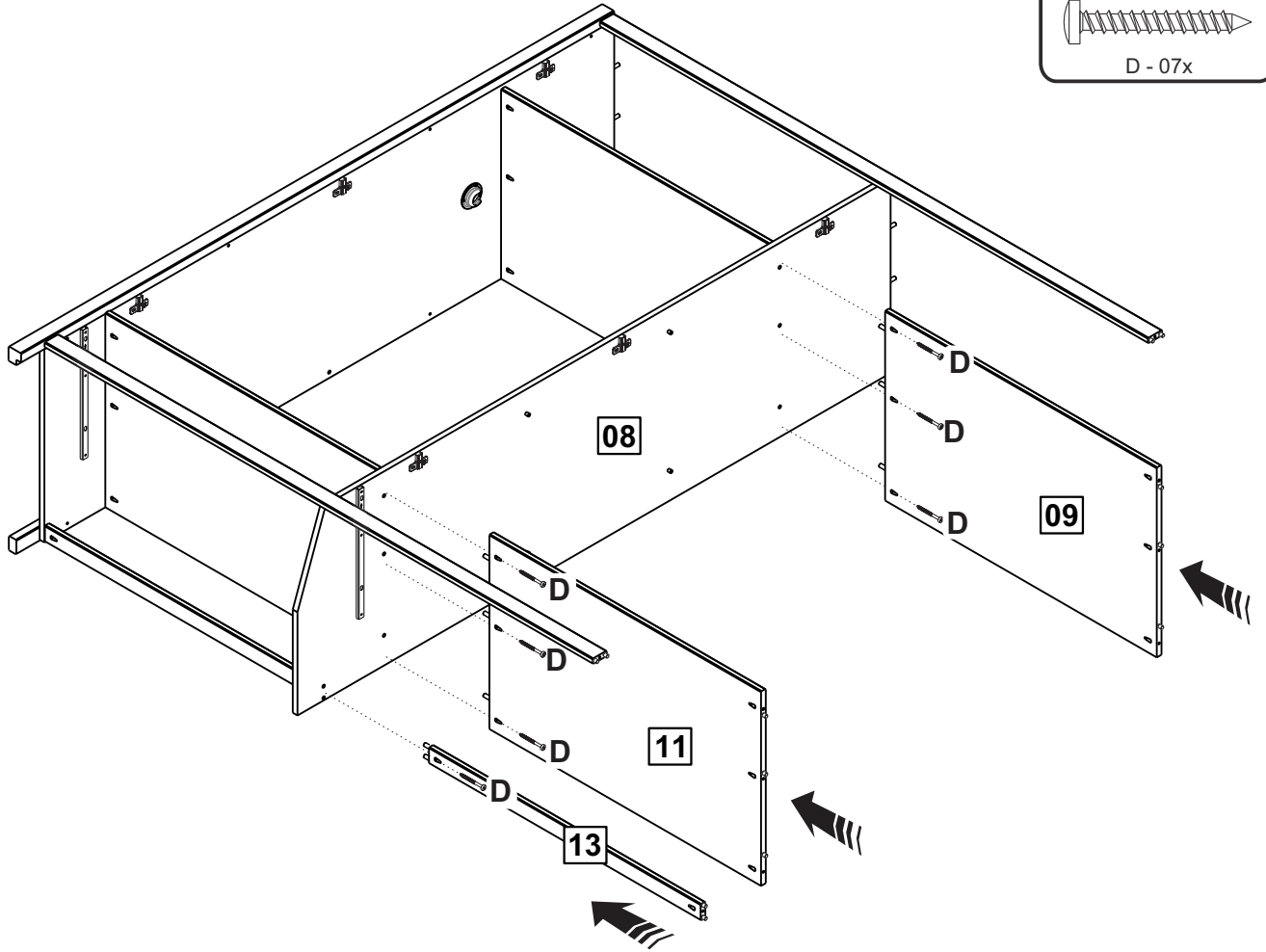
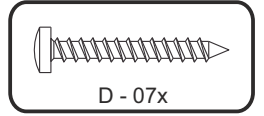
07



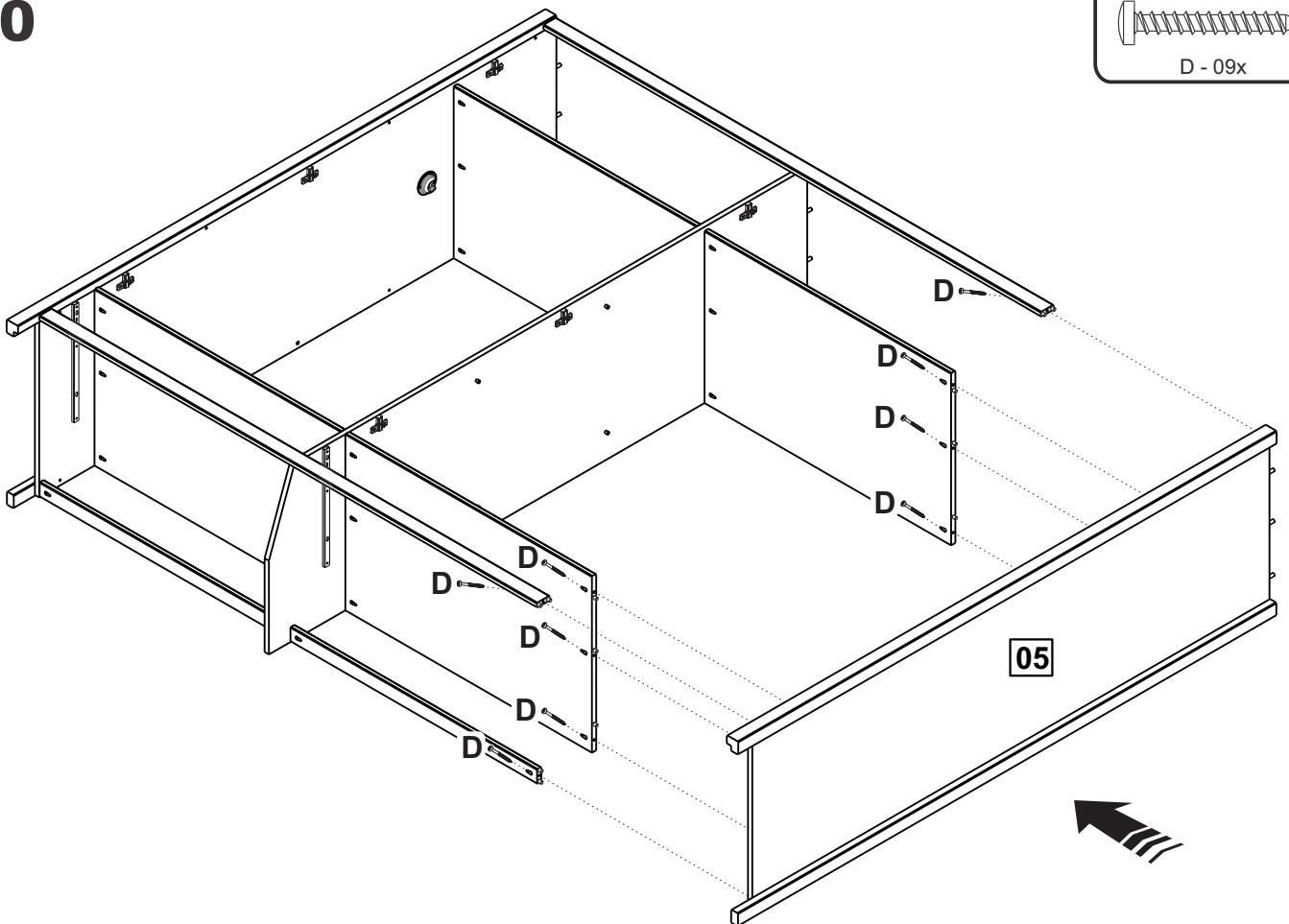
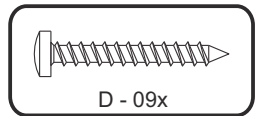
08



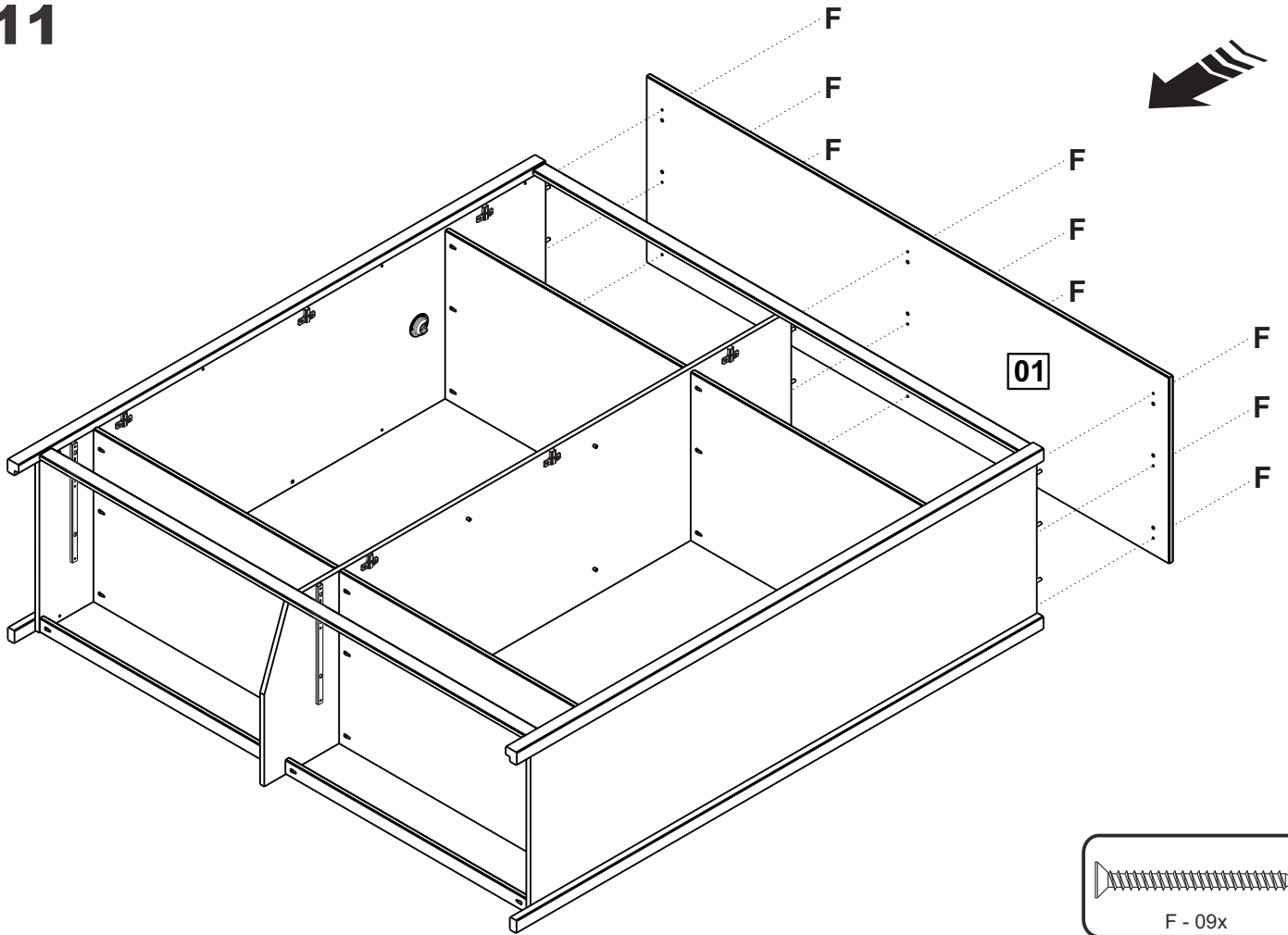
09



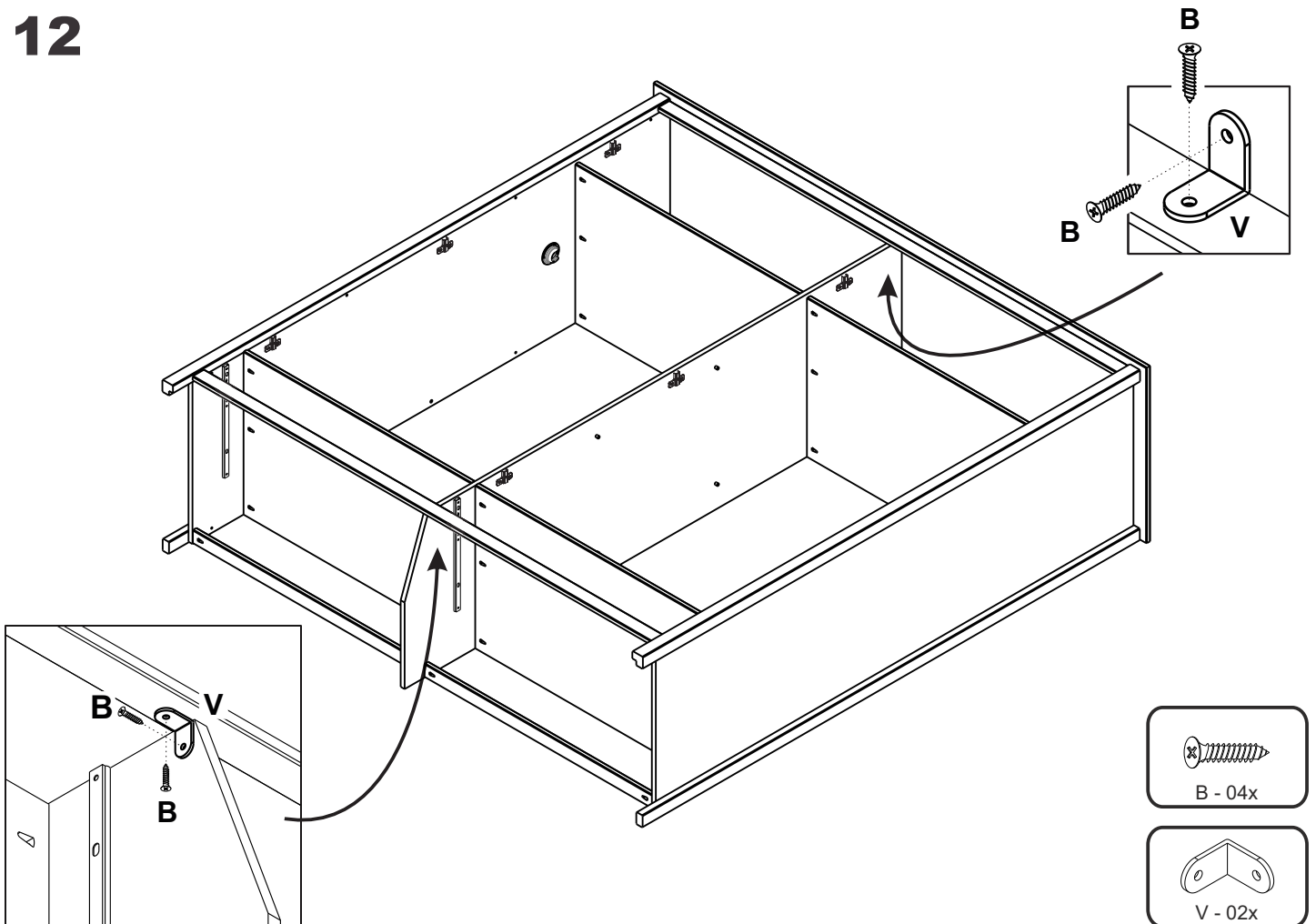
10



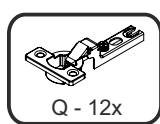
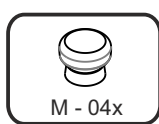
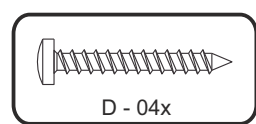
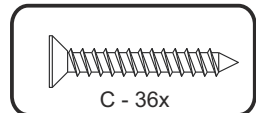
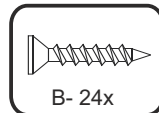
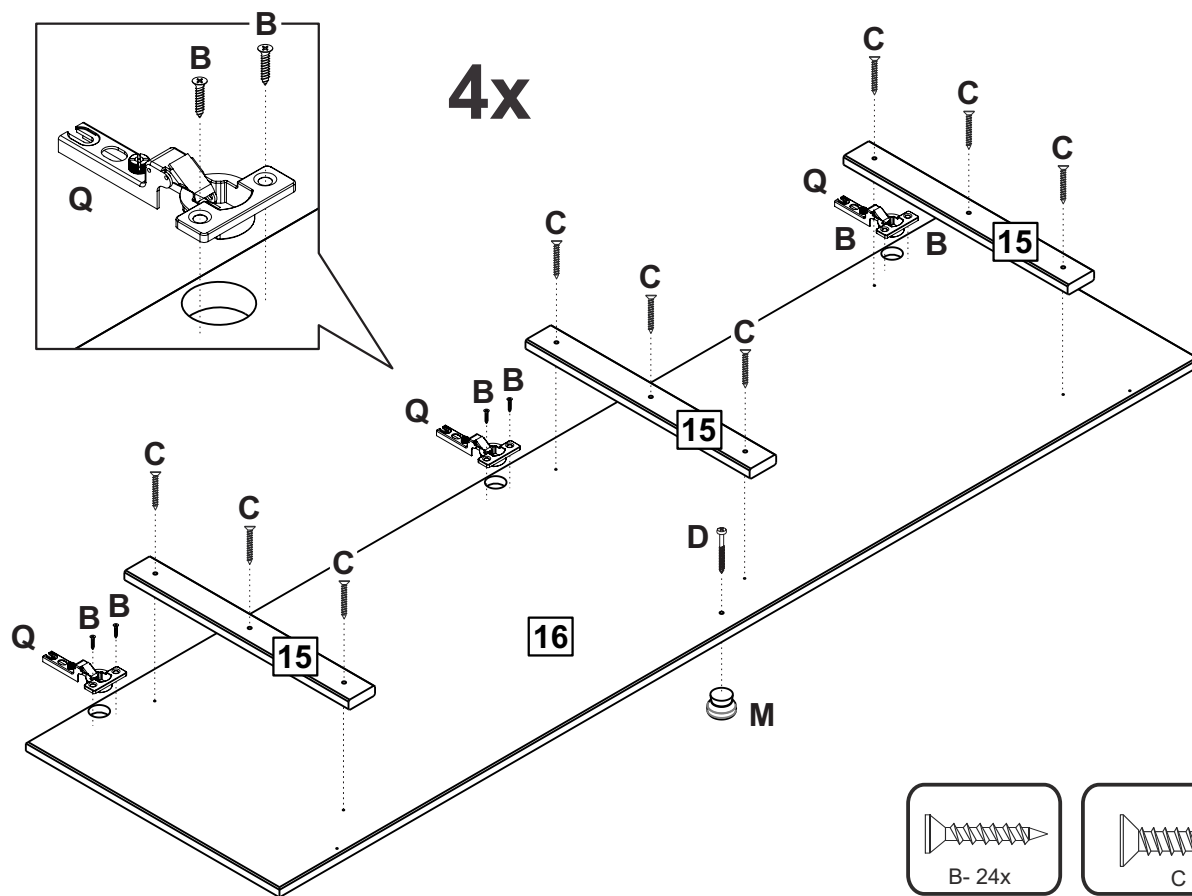
11



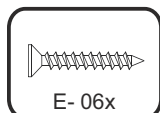
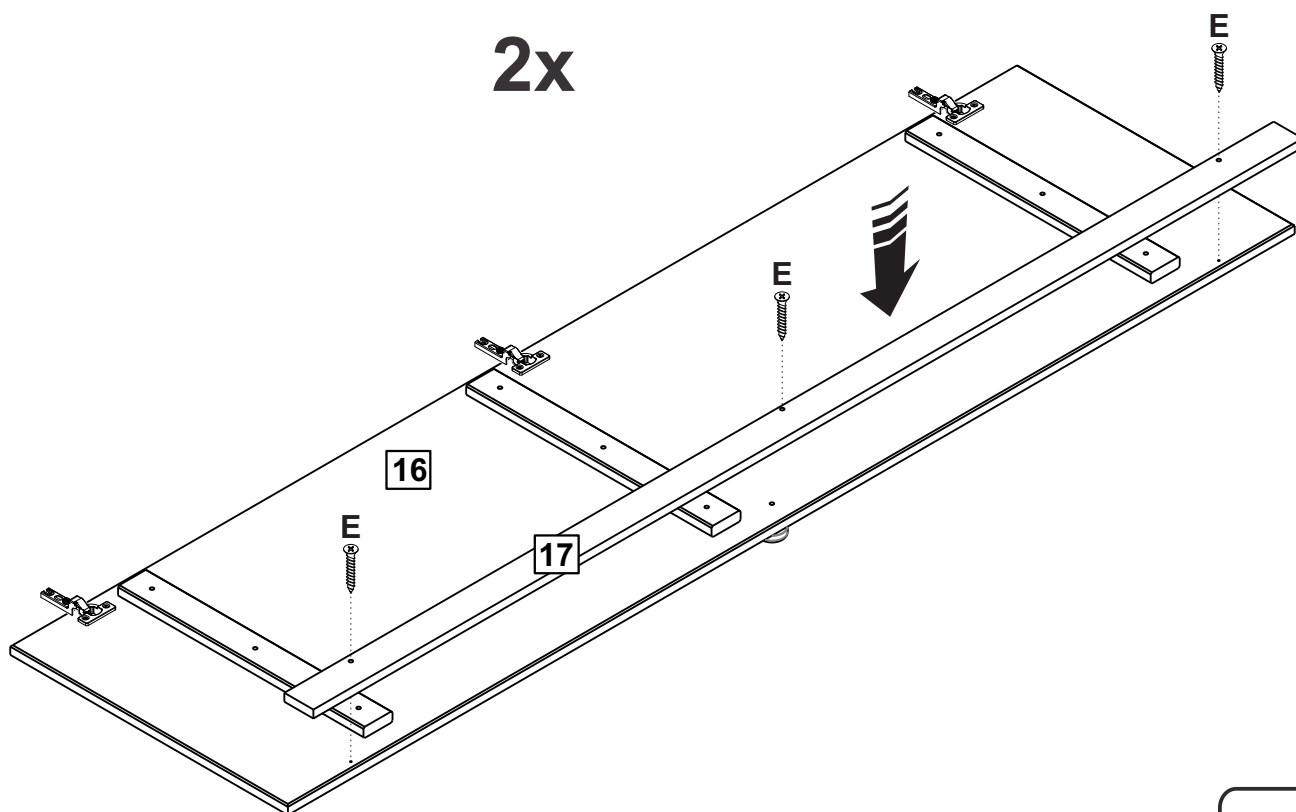
12



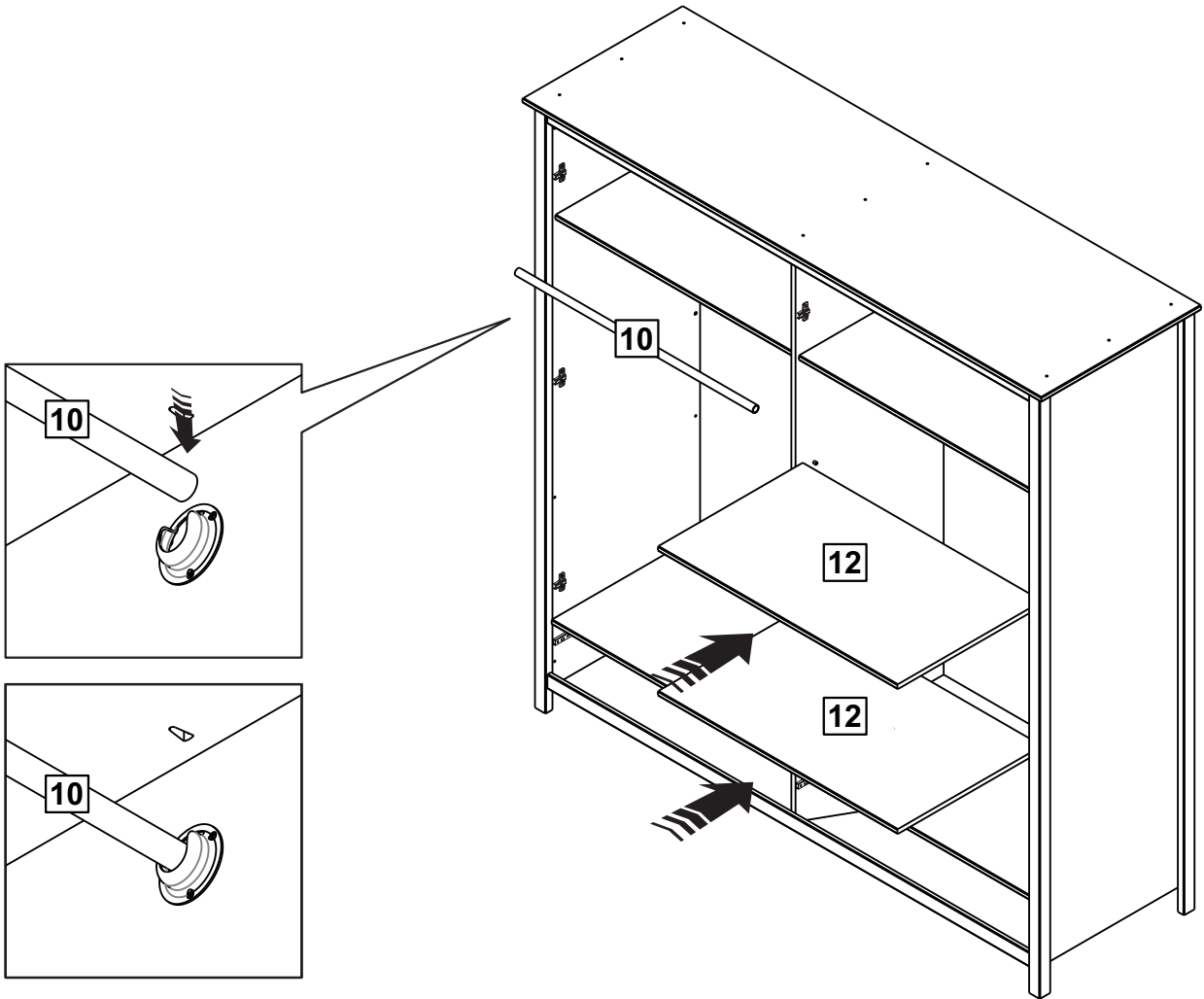
13



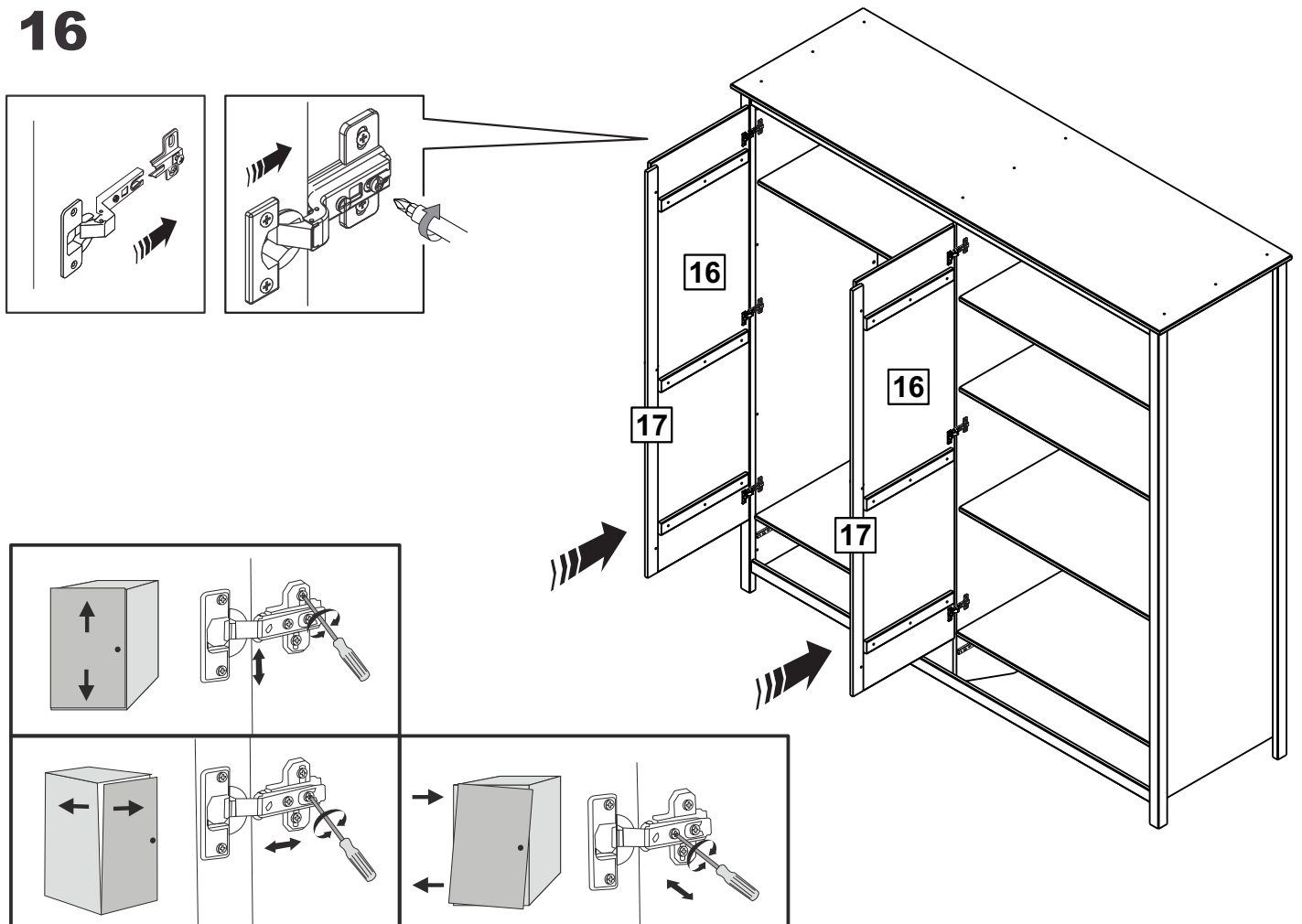
14

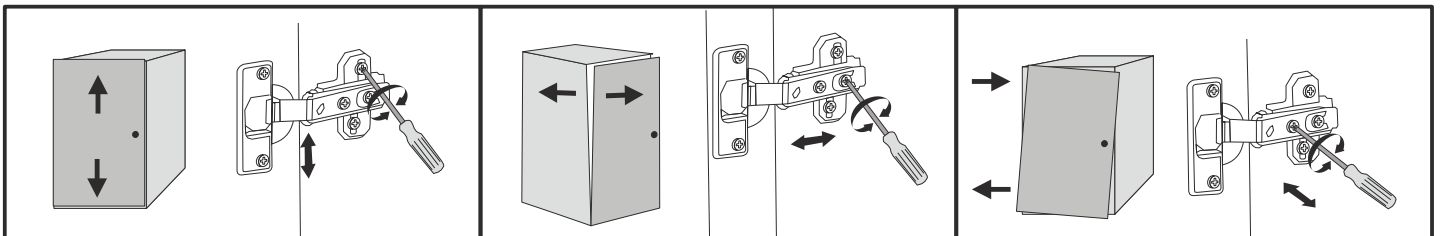
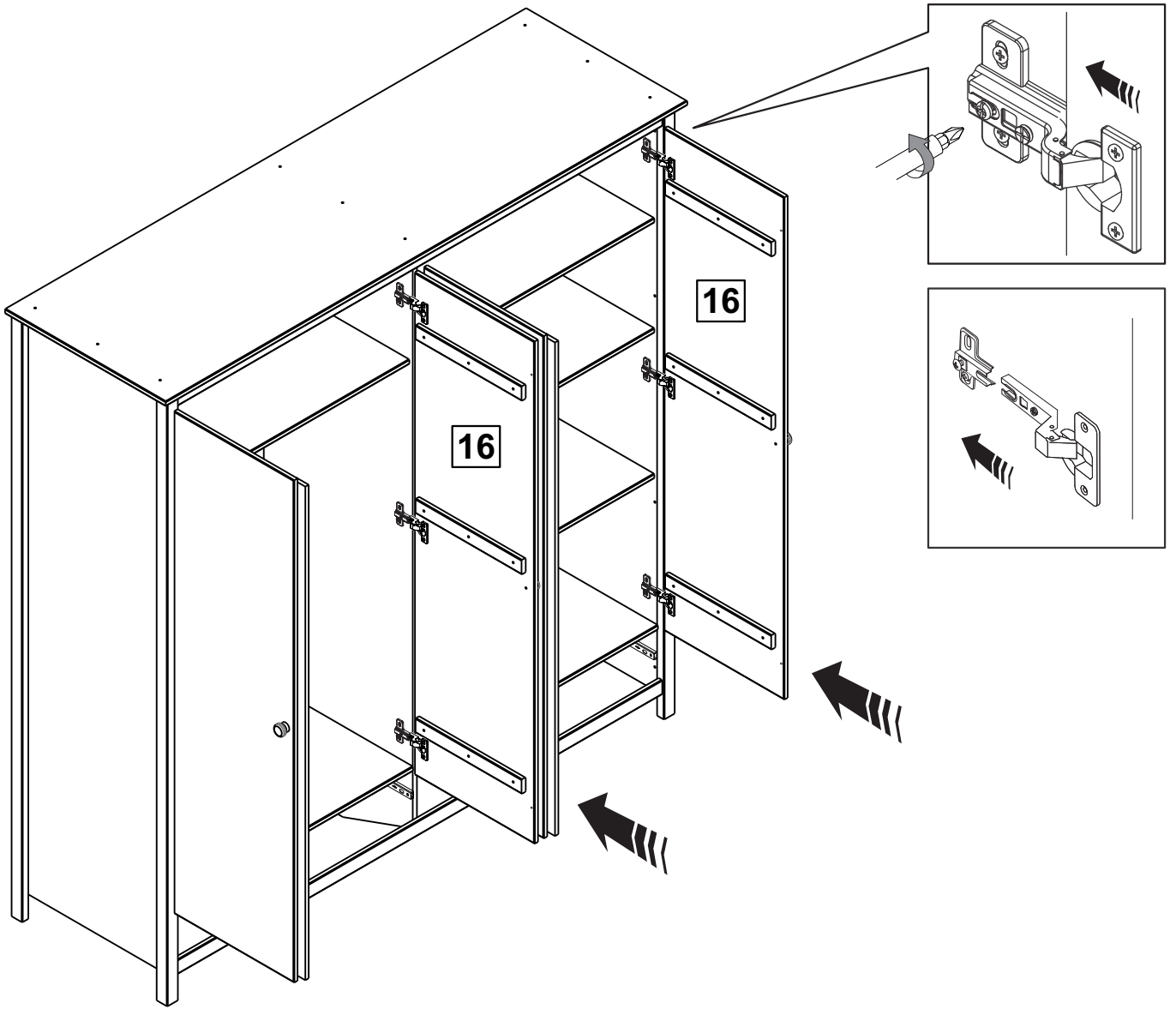


15

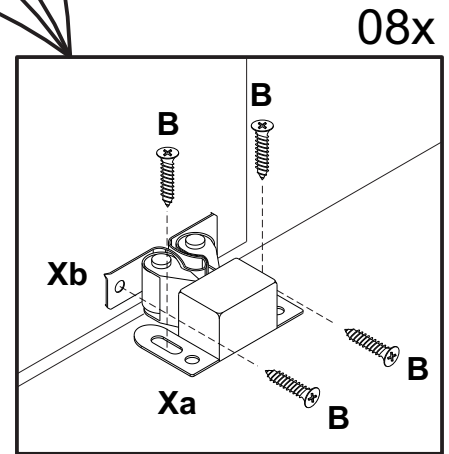
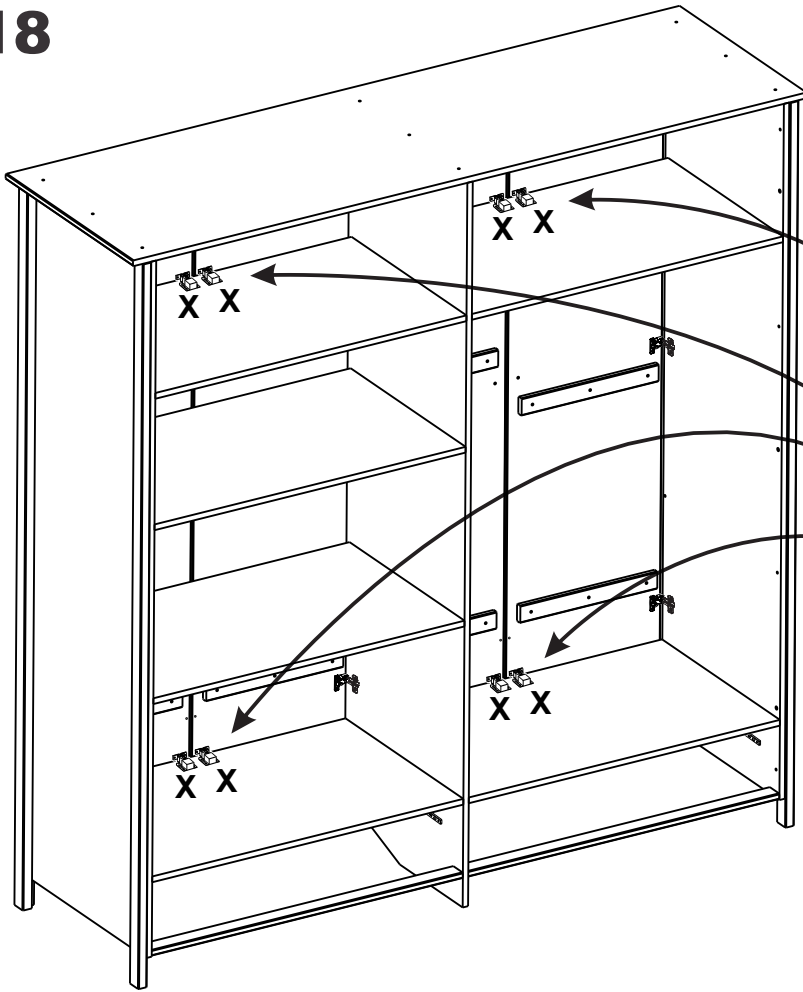
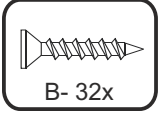
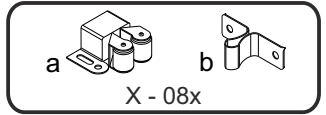


16

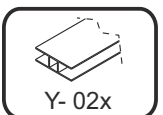
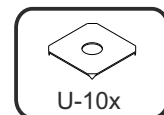
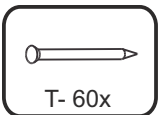
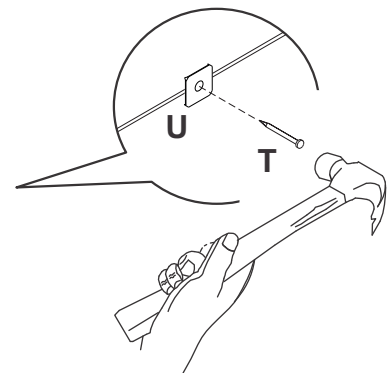
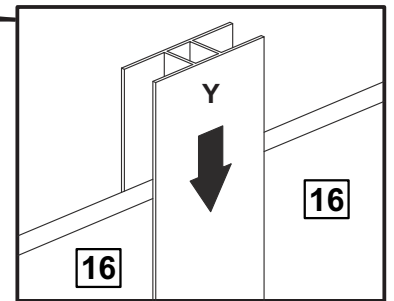
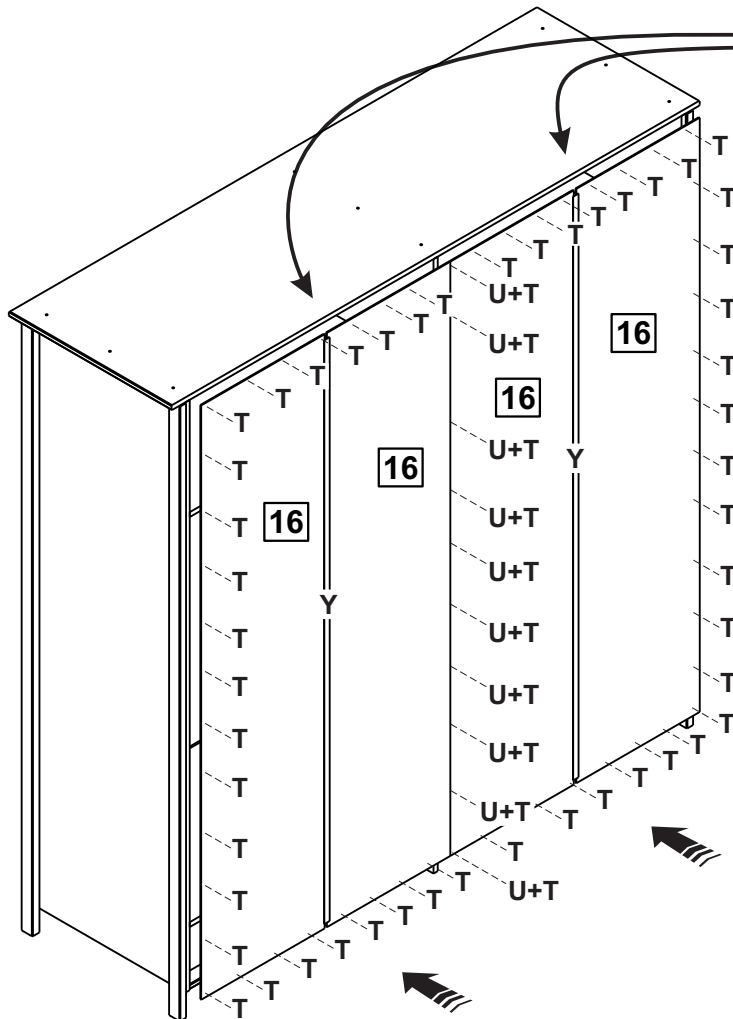




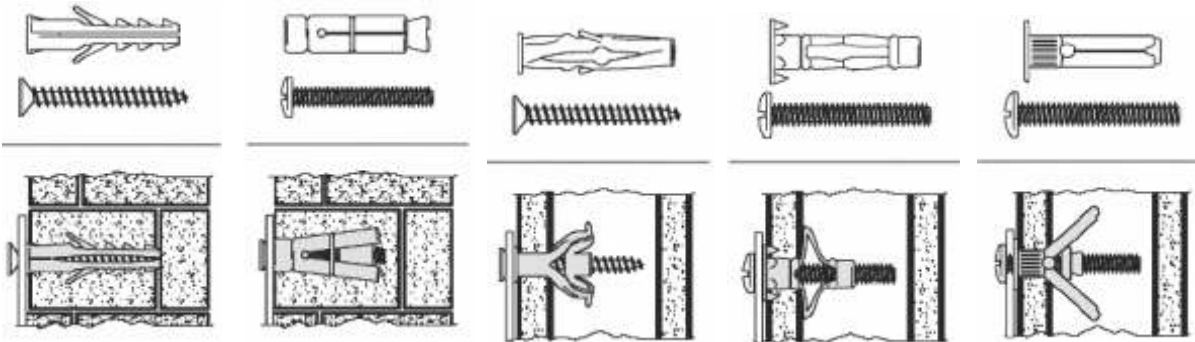
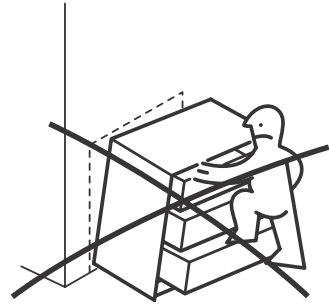
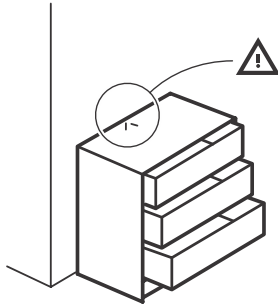
18



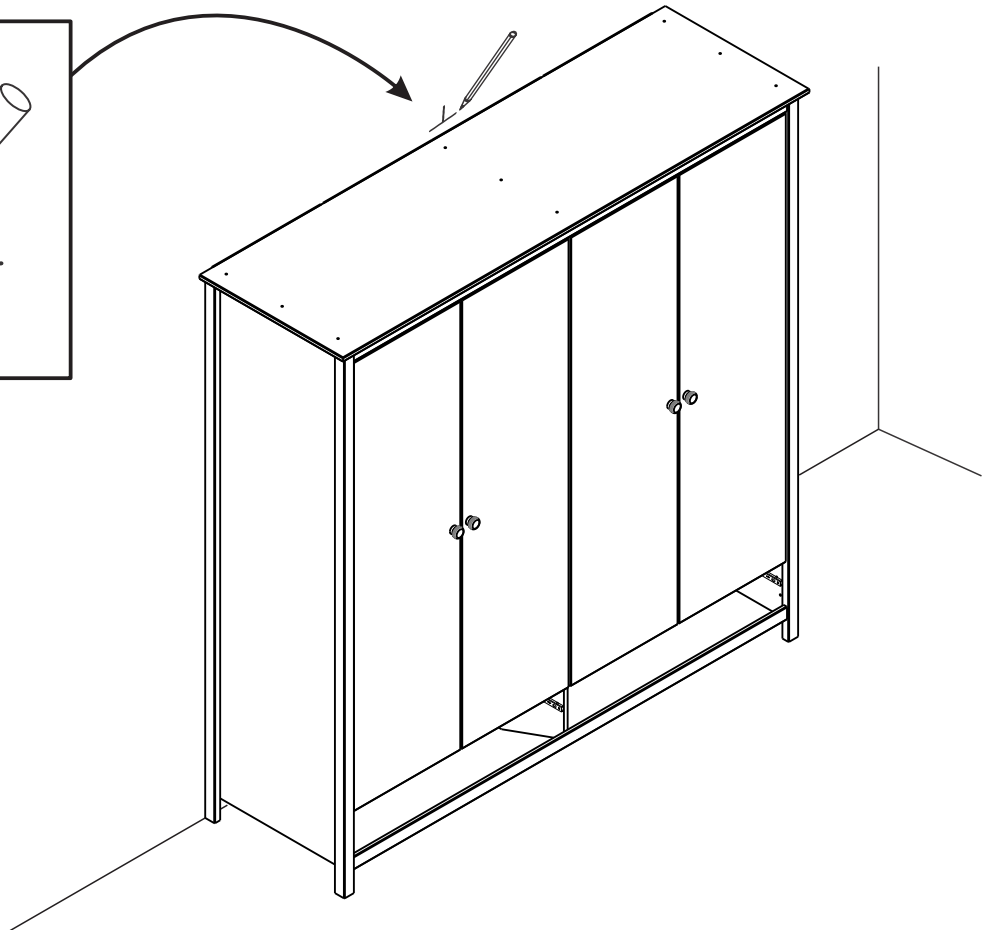
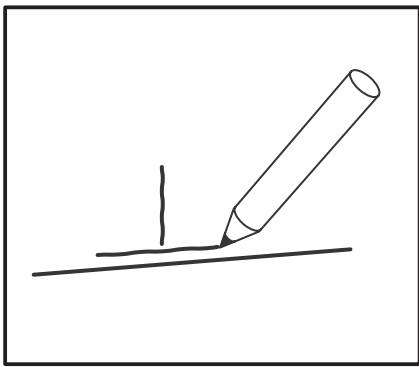
19



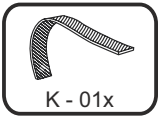
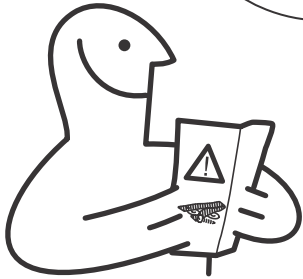
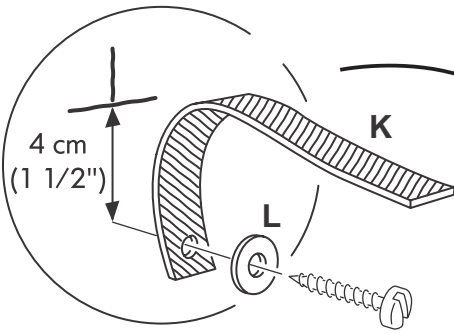
20



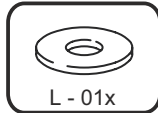
21



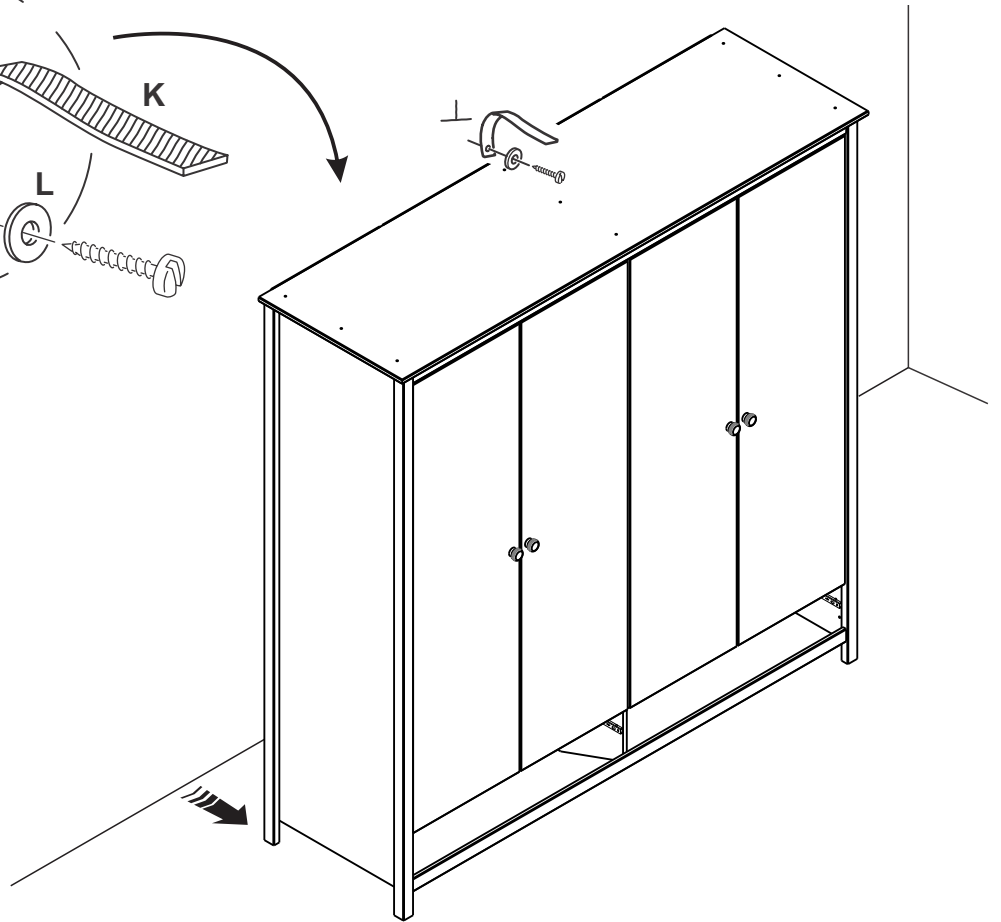
22



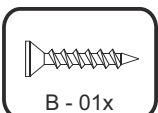
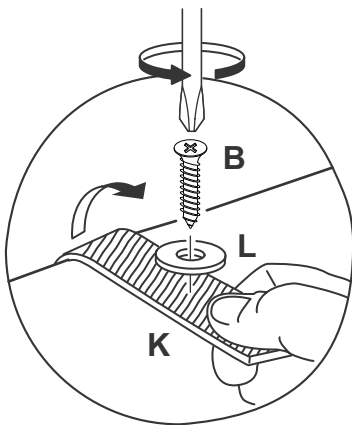
K - 01x



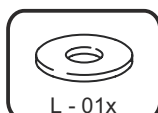
L - 01x



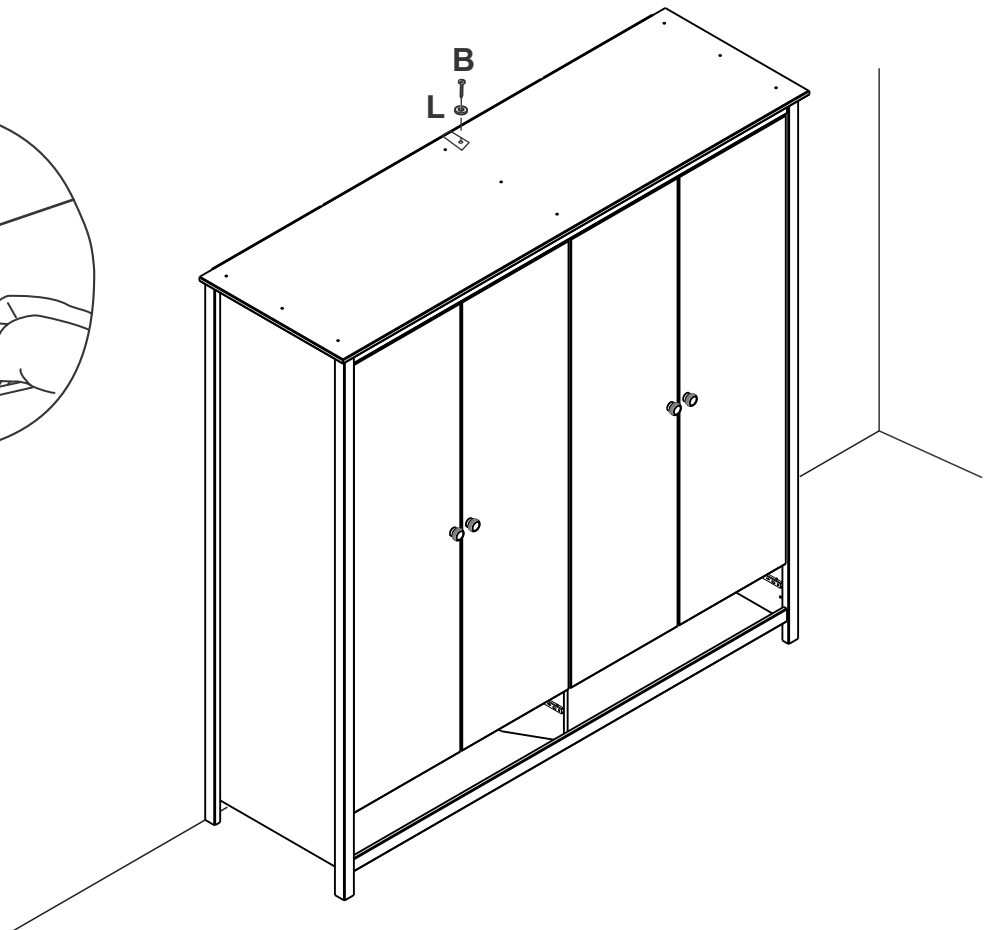
23



B - 01x

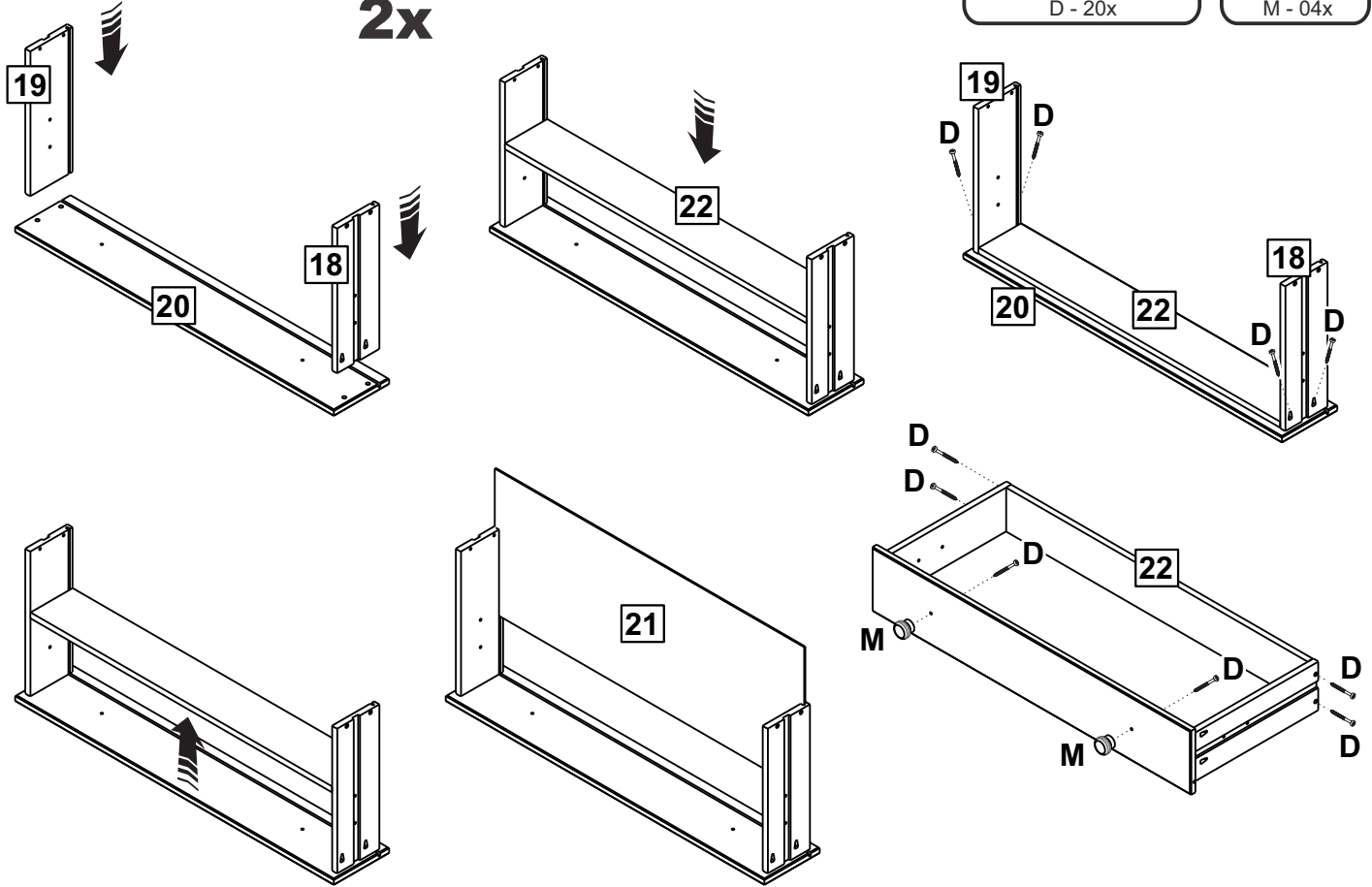
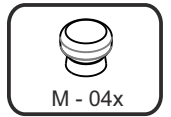
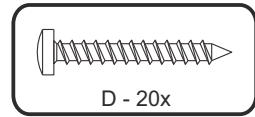


L - 01x



24

2x



25

