
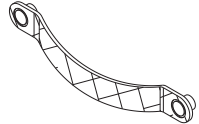
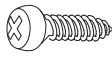
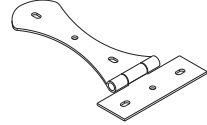
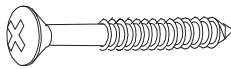



A x 36  Ø8x30mm

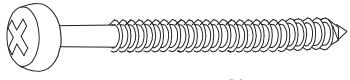
I x 4 

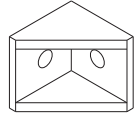
B x 35  Ø3,5x14mm

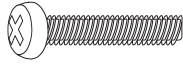
J x 2 

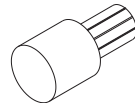
C x 24  Ø3,5x30mm


K x 1  Ka Kb

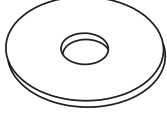
D x 14  Ø4,5x50mm


L x 8 


E x 8  ØM4x16mm


M x 4 

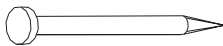
F x 22 

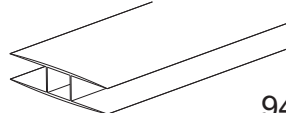
N x 2 

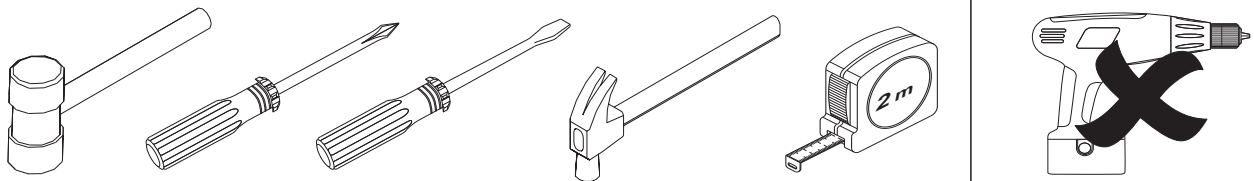
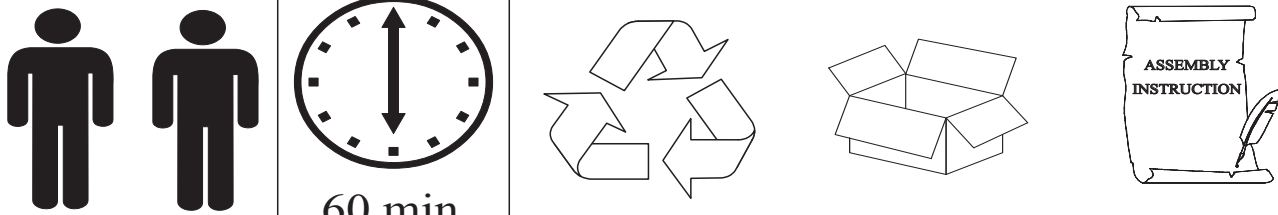
G x 10 

O x 1 

H x 12 

P x 32 


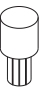
Q x 1  945mm

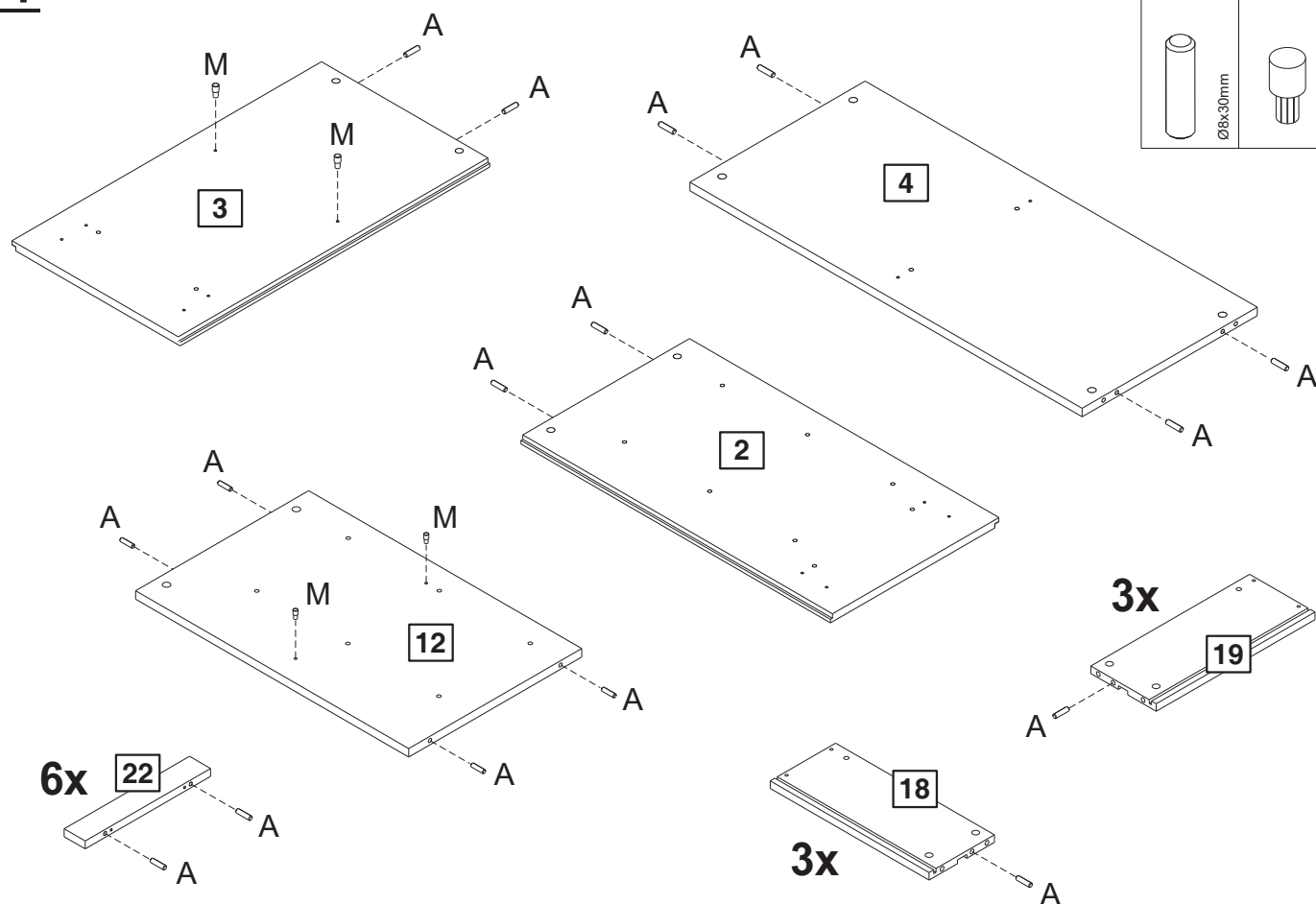



60 min




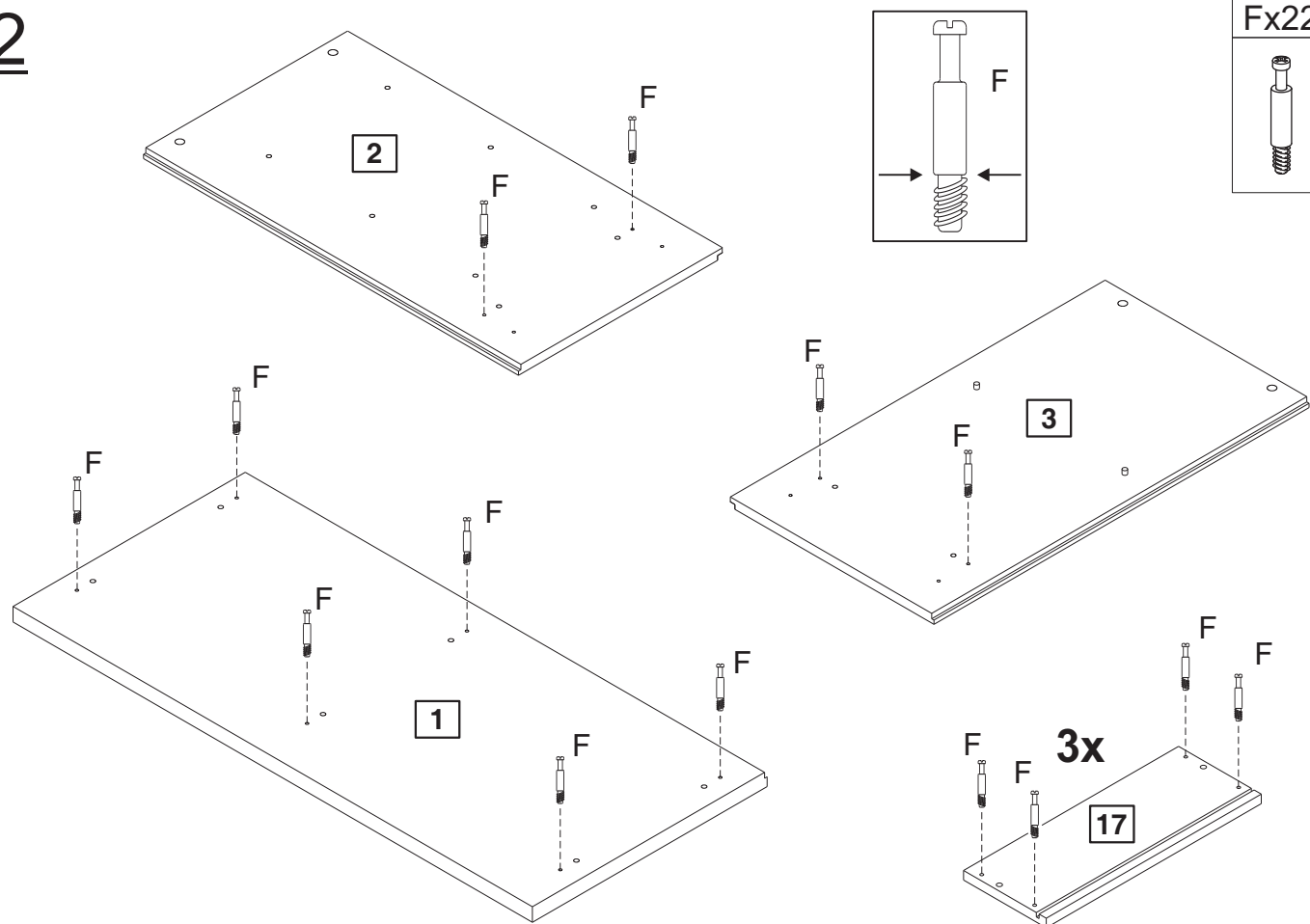
# 1

Ax30	Mx4
	
Ø6x30mm	


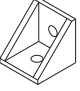


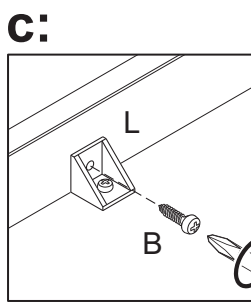
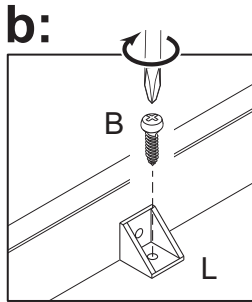
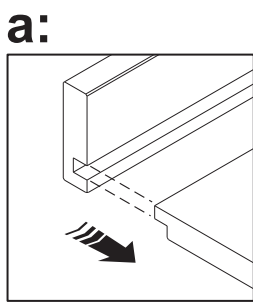
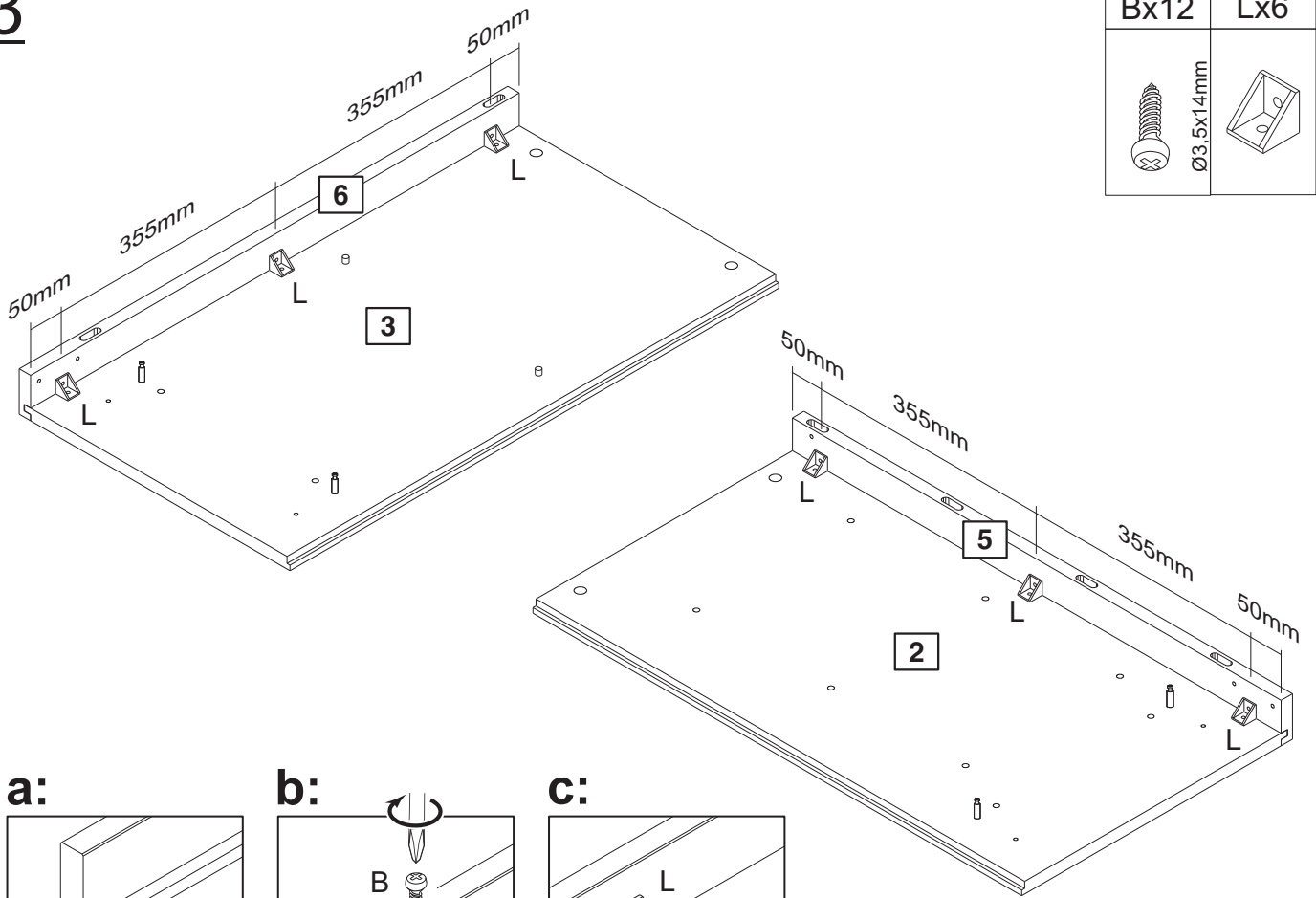
# 2

Fx22





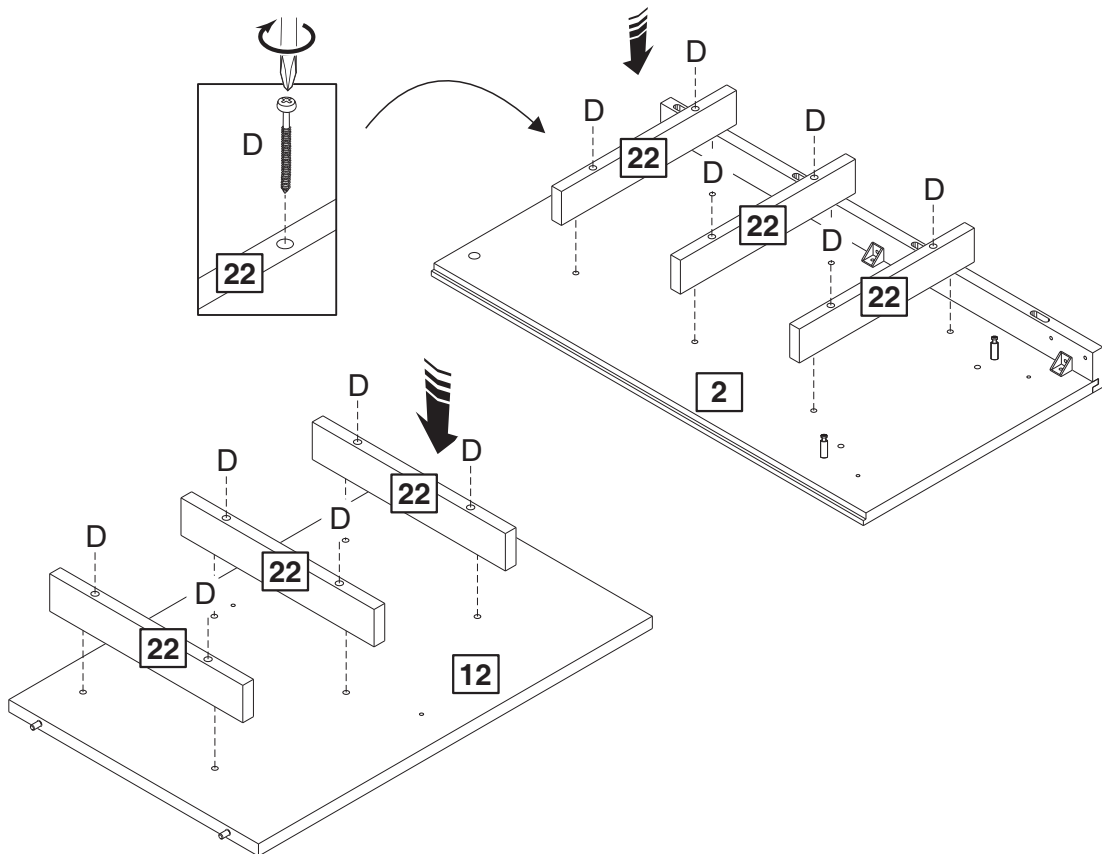
# 3

Bx12	Lx6
	
Ø3,5x14mm	

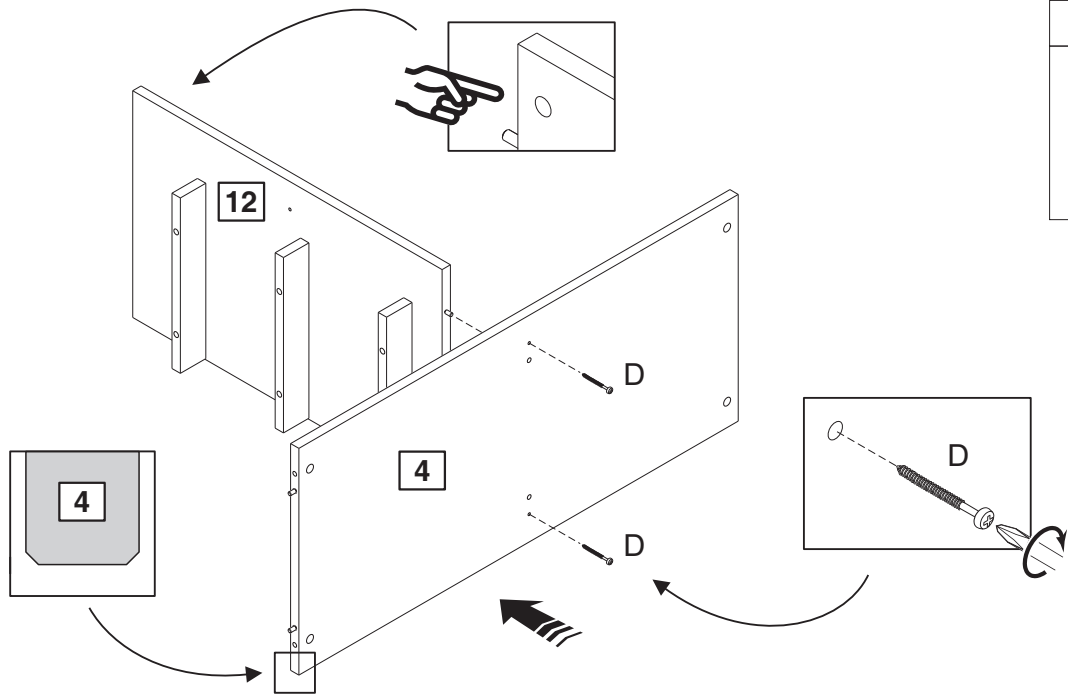


# 4

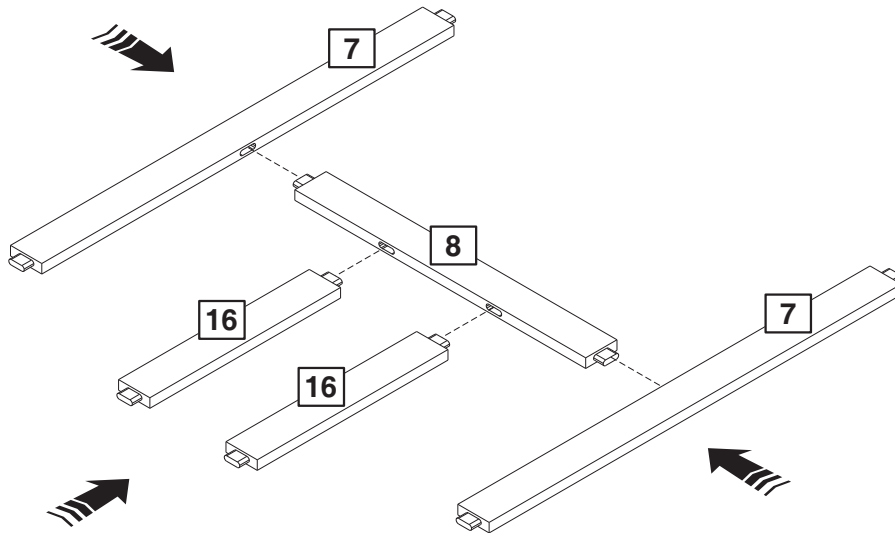
Dx12

Ø4,5x50mm



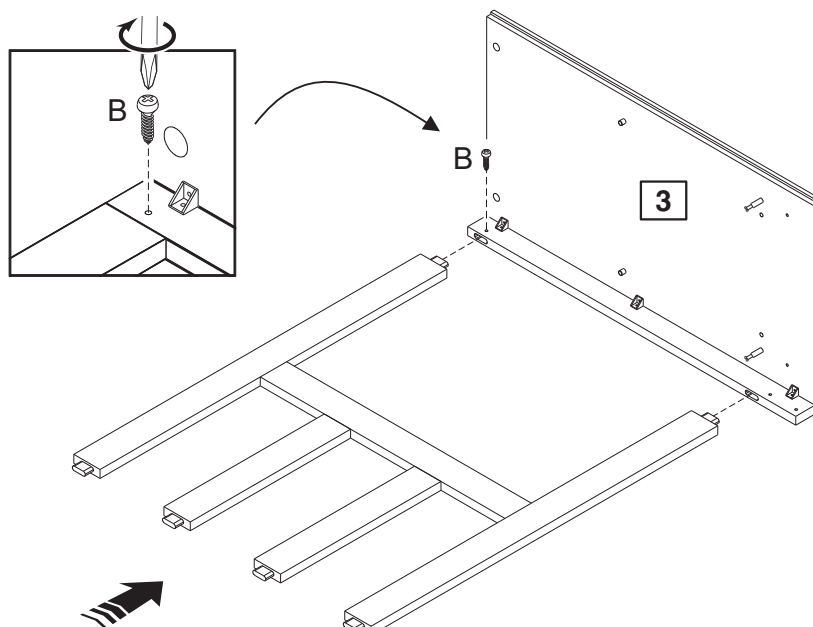
5



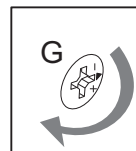
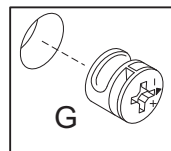
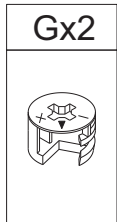
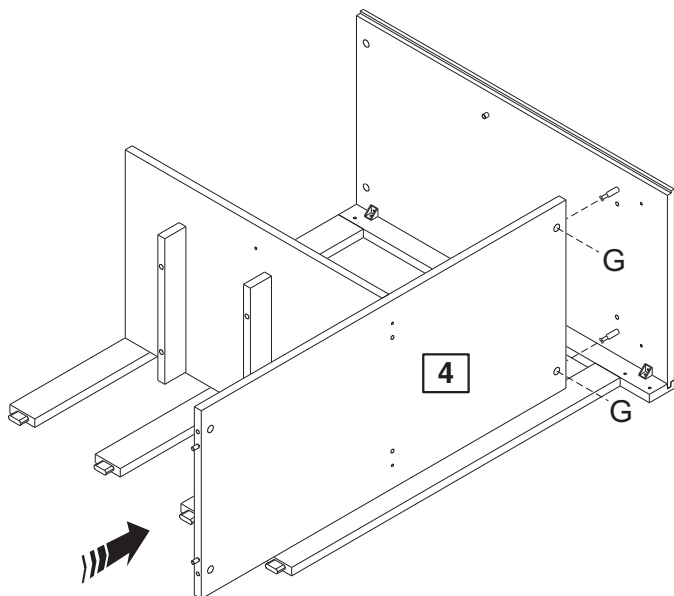
6



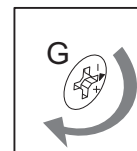
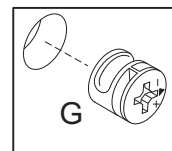
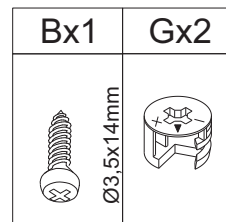
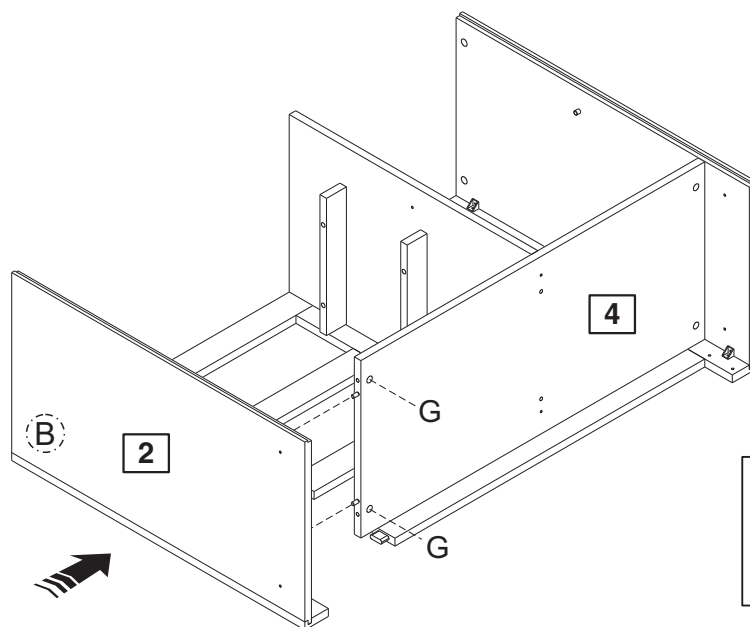
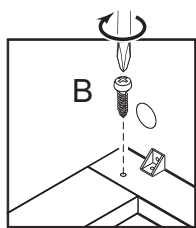
7



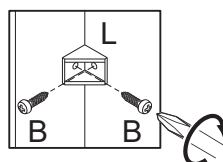
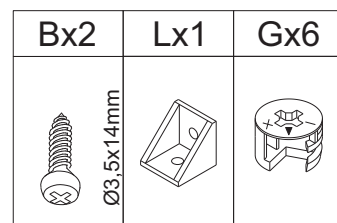
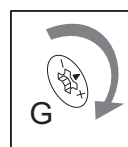
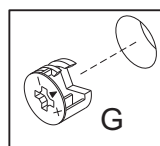
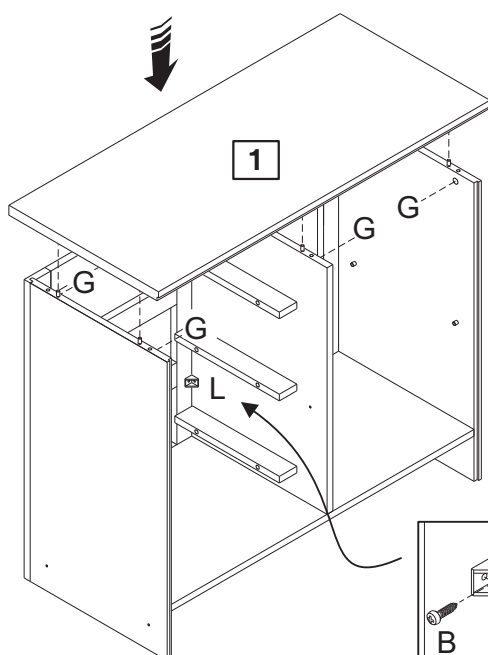
8



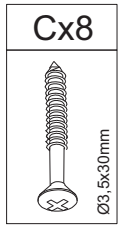
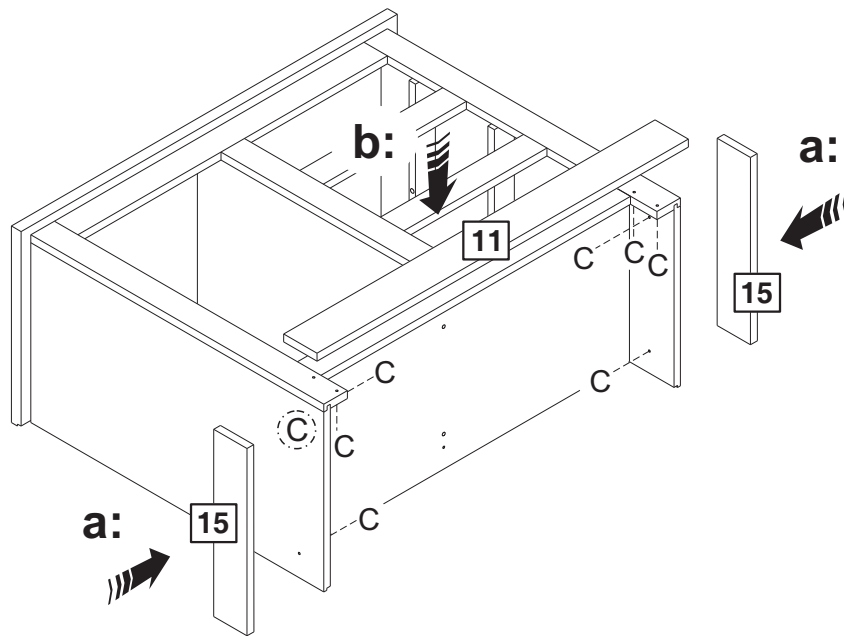
9



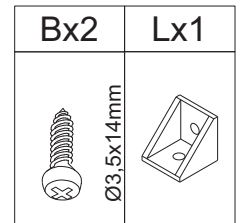
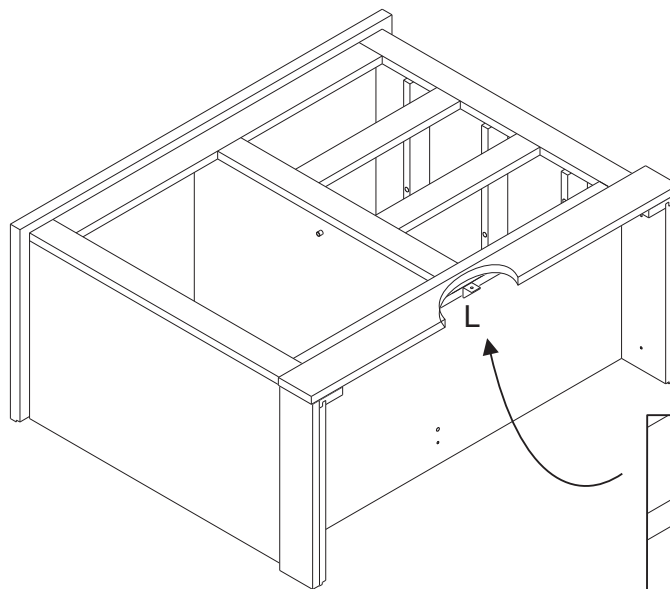
10



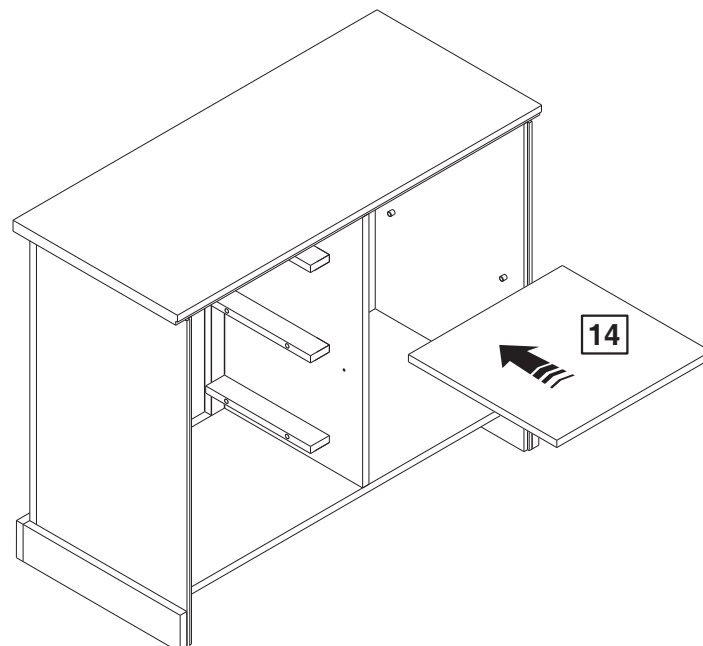
11



12





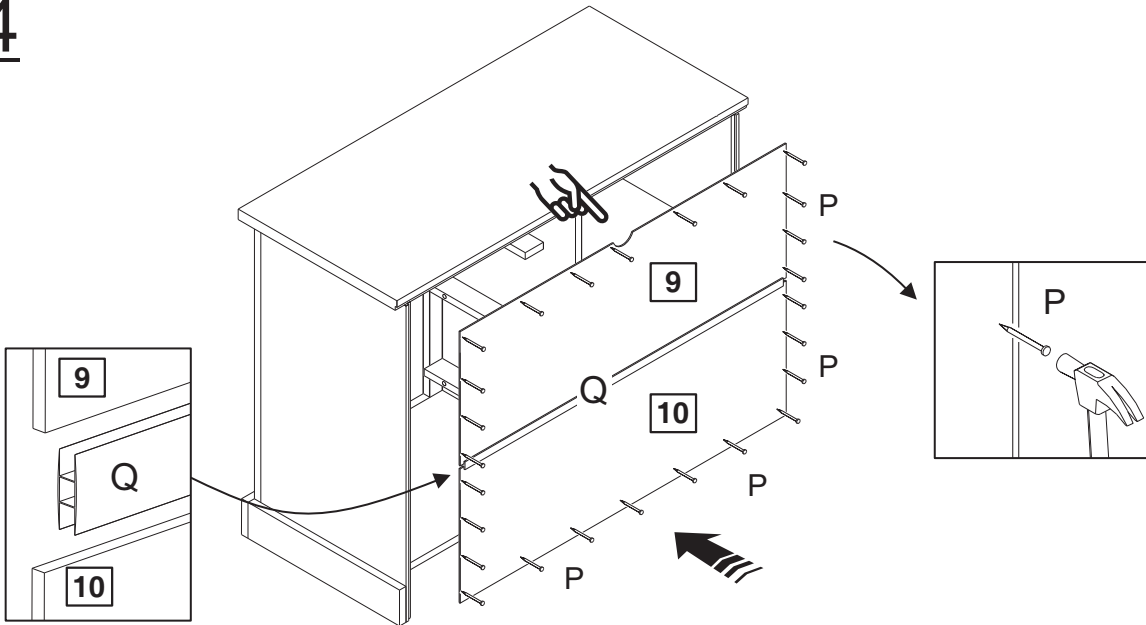
13



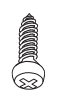

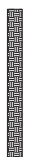


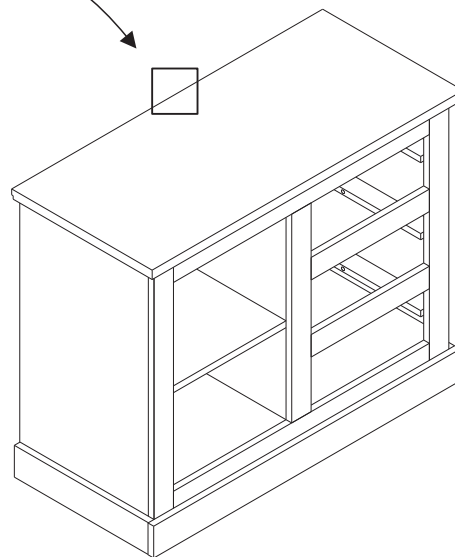
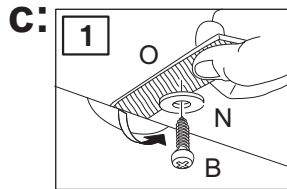
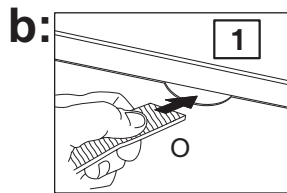
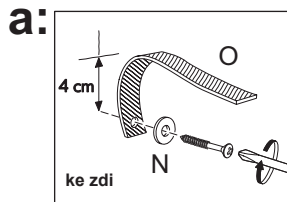
# 14

Px32	Qx1
	

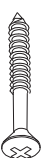


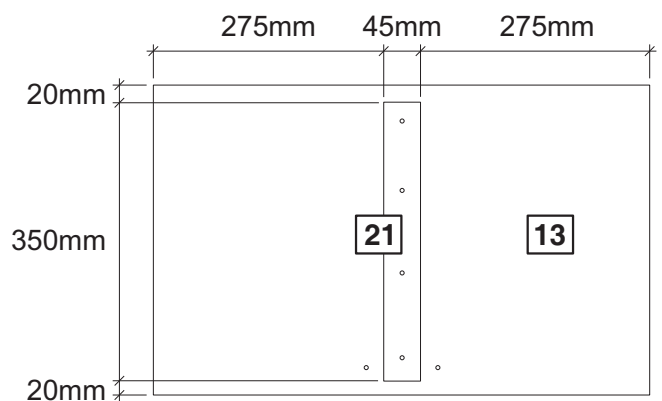
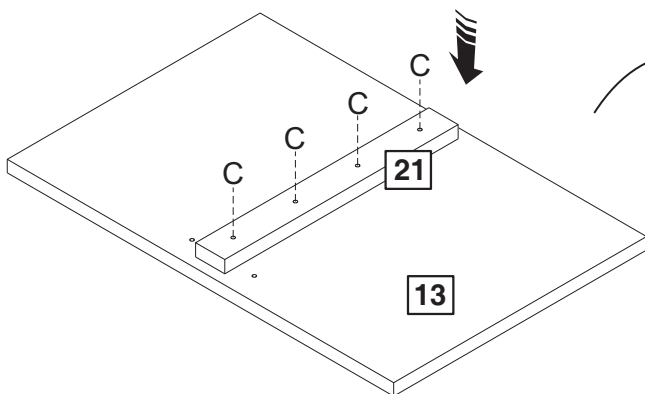
# 15

Bx1	Nx2	Ox1
		
	Ø3,5x14mm	

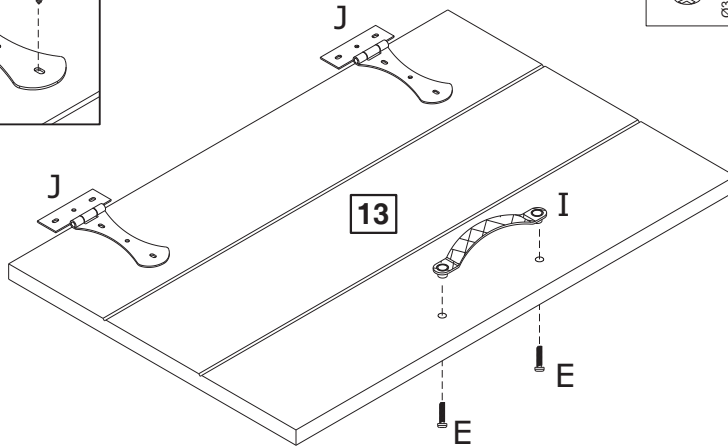
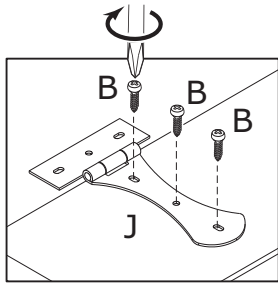



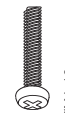


# 16

Cx4

Ø3,5x30mm

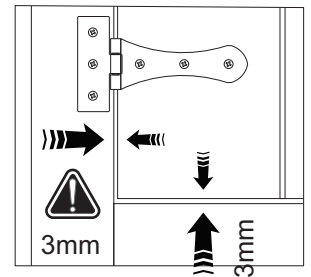
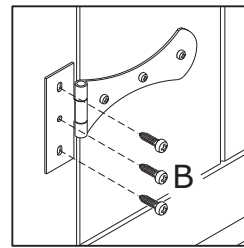
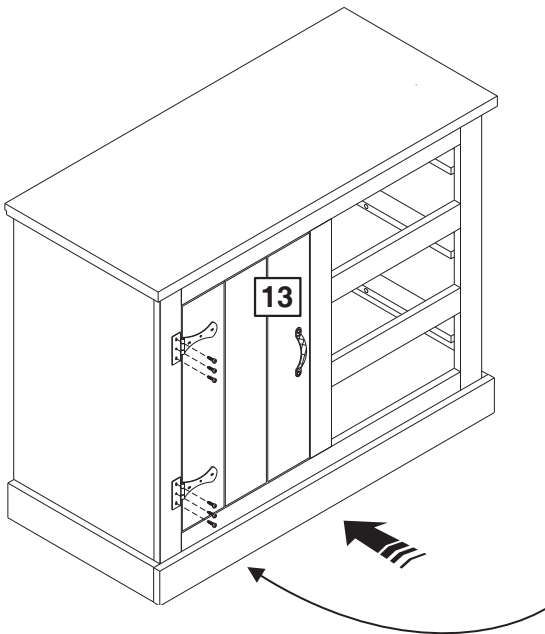



# 17



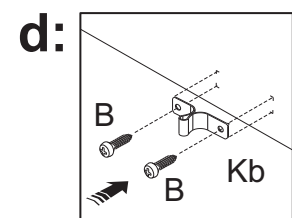
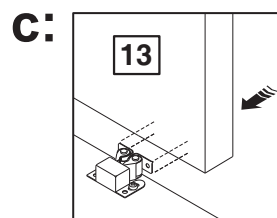
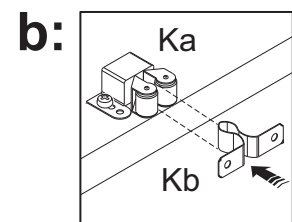
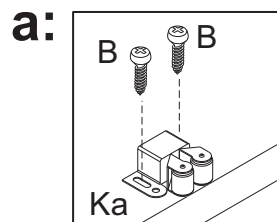
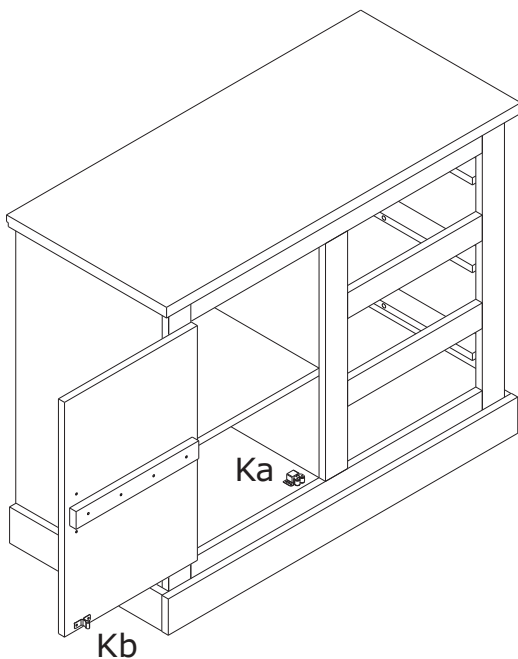
Bx6	Ex2	Ix1	Jx2
			
Ø3,5x14mm	ØM4x16mm		




# 18



Bx6

Ø3,5x14mm

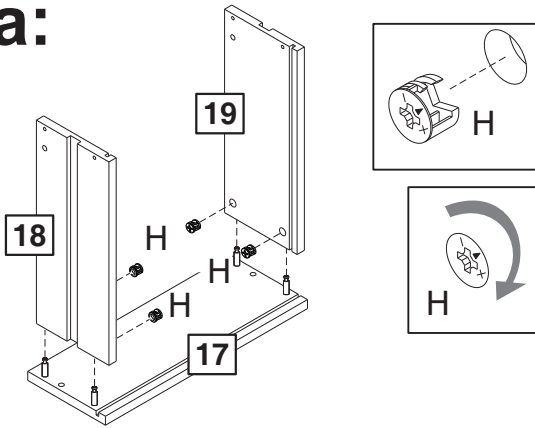
# 19



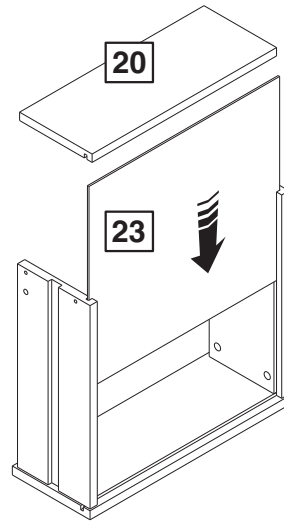
Bx4	Kax1	Kbx1
		
Ø3,5x14mm		

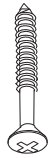



# 20

**a:**



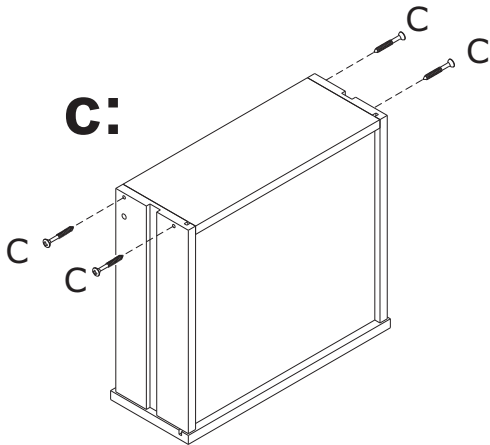
**b:**



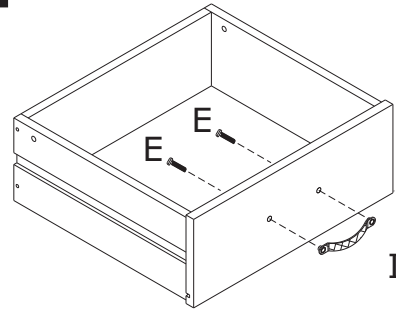
Cx12	Ex6
 Ø3,5x30mm	 ØM4x16mm
Hx12	Ix3
	

**3x**

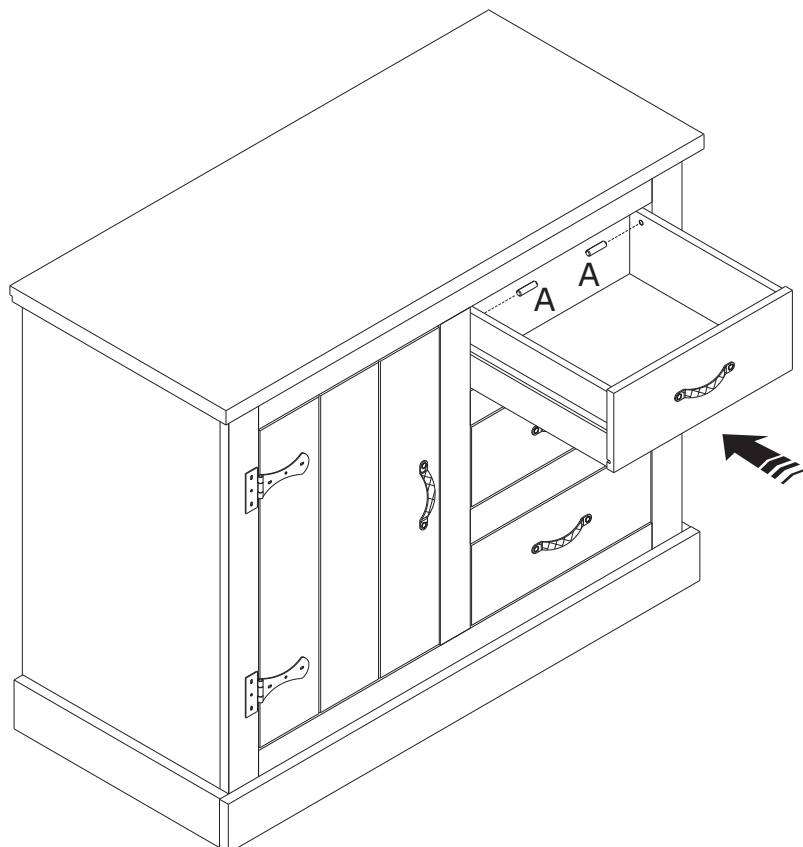
**c:**



**d:**



# 21



**Ax6**

