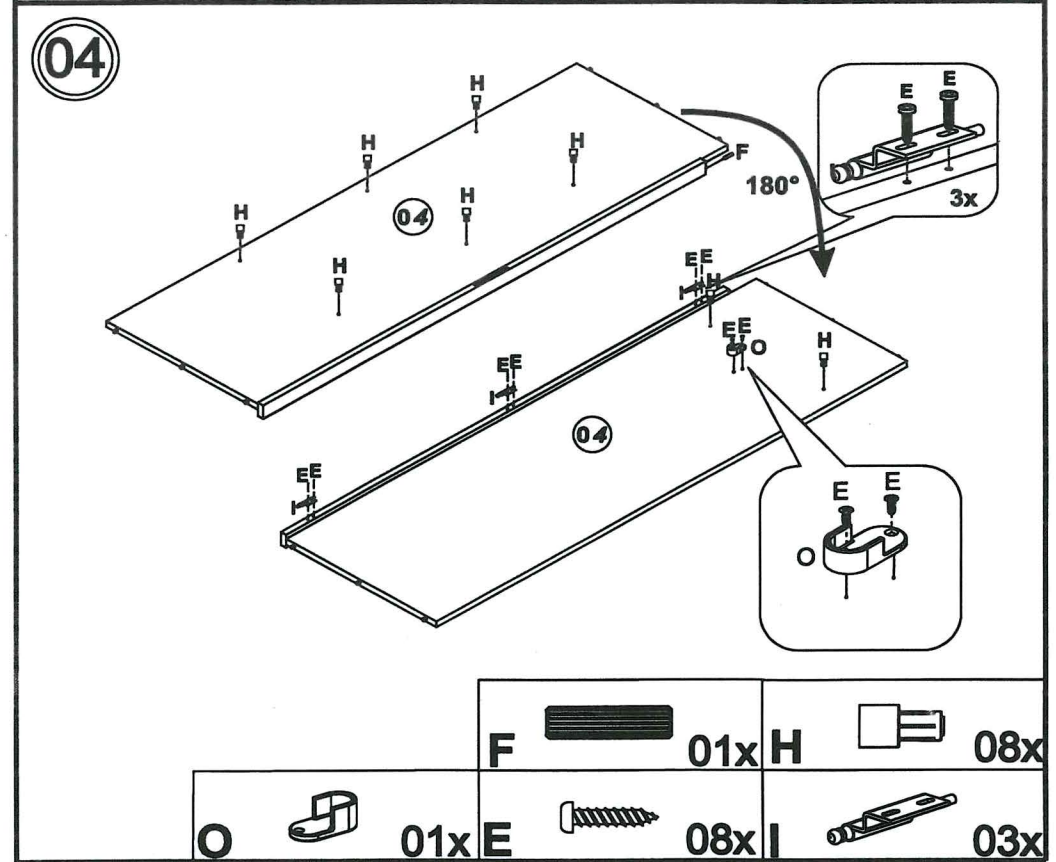
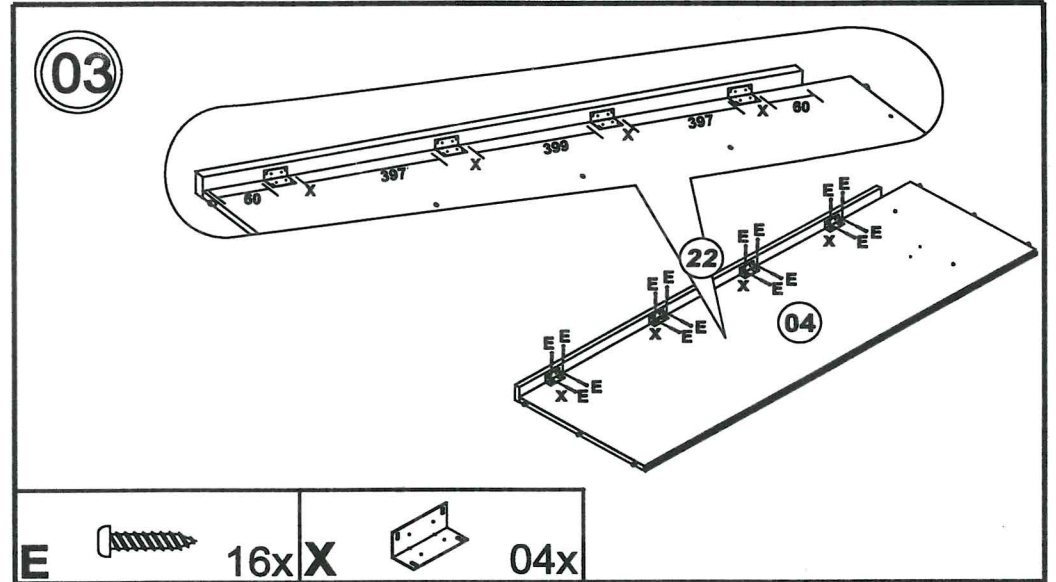
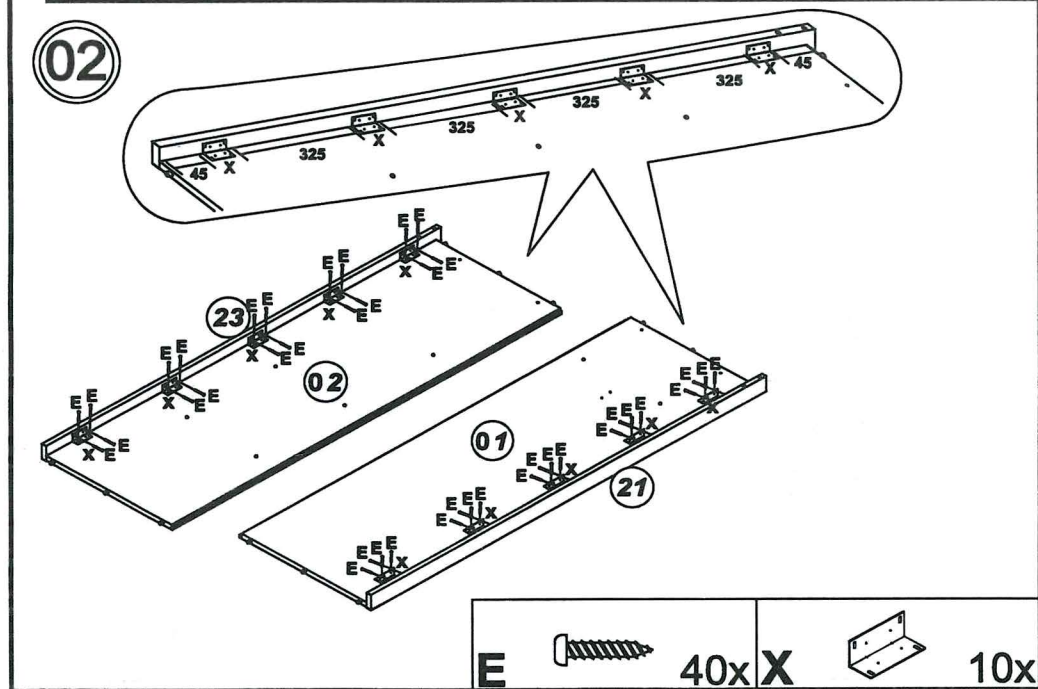
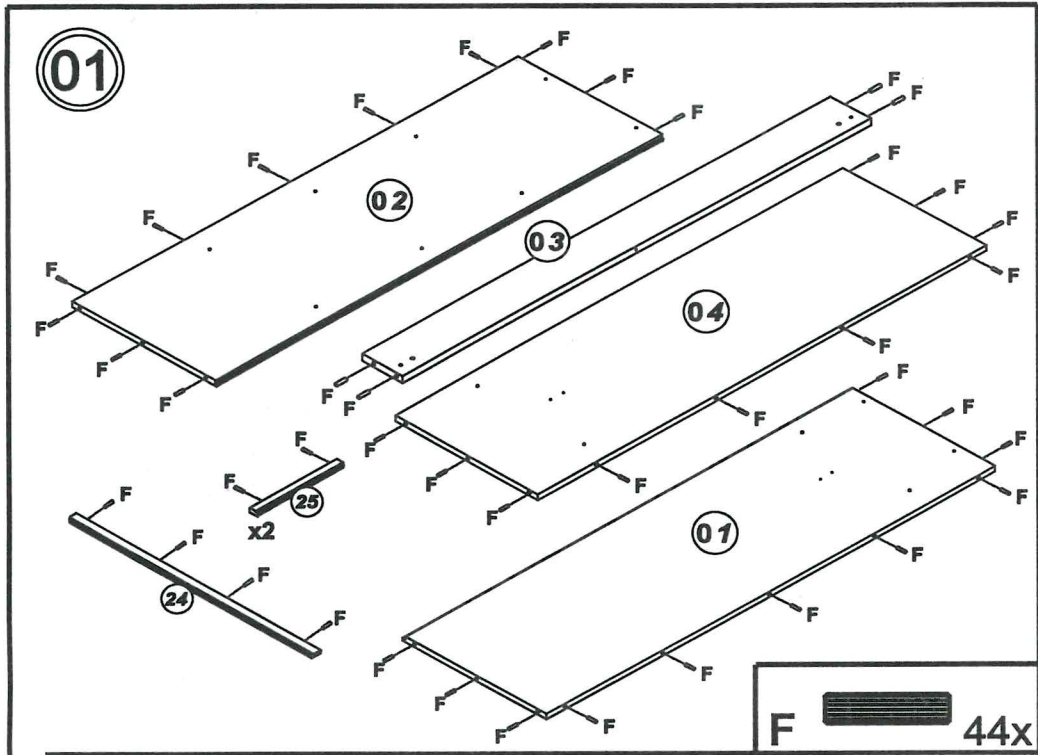
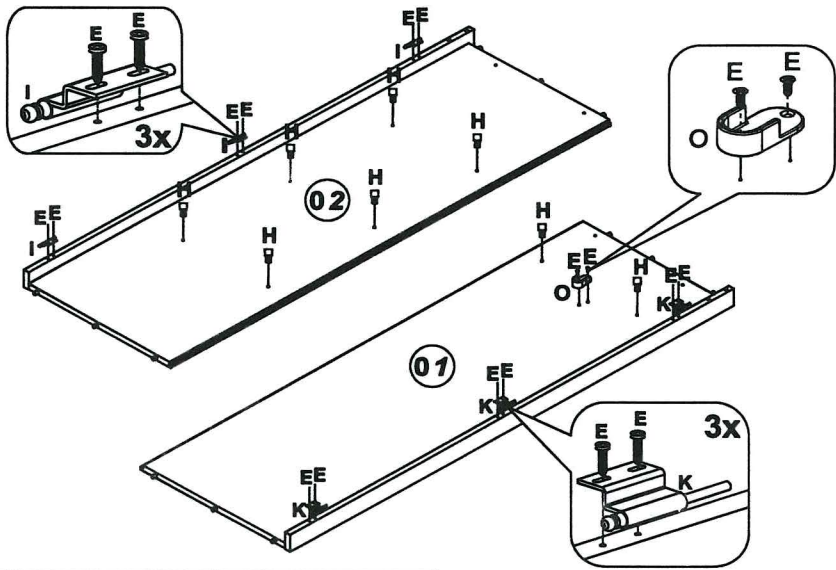







A	4,0x45mm	22	N		04
B	4,0x25mm	06	O		02
C	2,5x12mm	04	P		02
D	3,0x20mm	13	Q		02
E	3,5x14mm	111	R		02
F	8,0x30mm	45	S		02
G	10x10mm	52	T		02
H		16	U	8,0x20mm	06
I		06	V	4,5x50mm	05
J		06	X		14
K		03	W	3,5x30mm	03
L		03	Y		02
M		08	Z		01

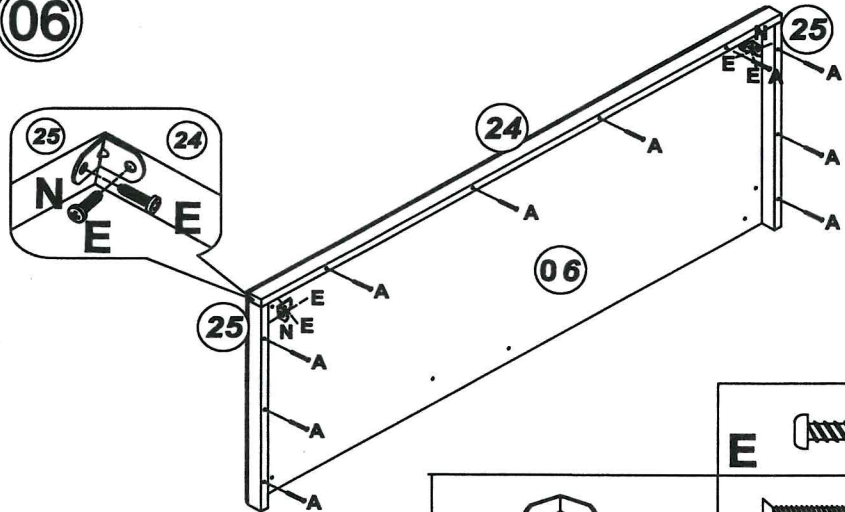





05



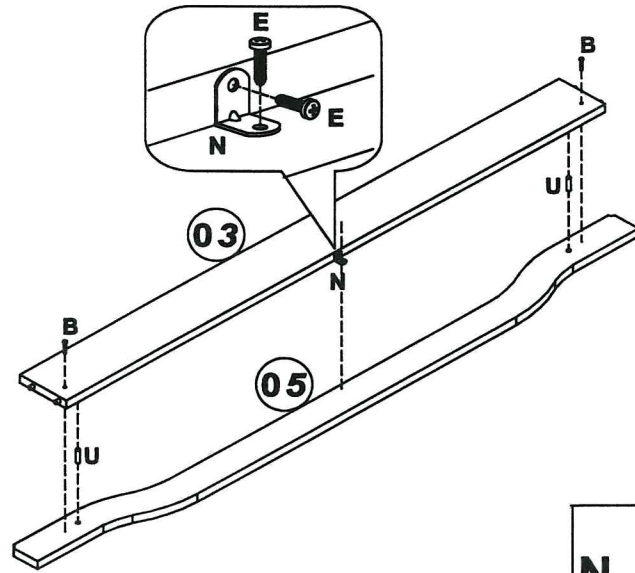
K		03x	H		08x
O		01x	E		14x
	I		03x		





06



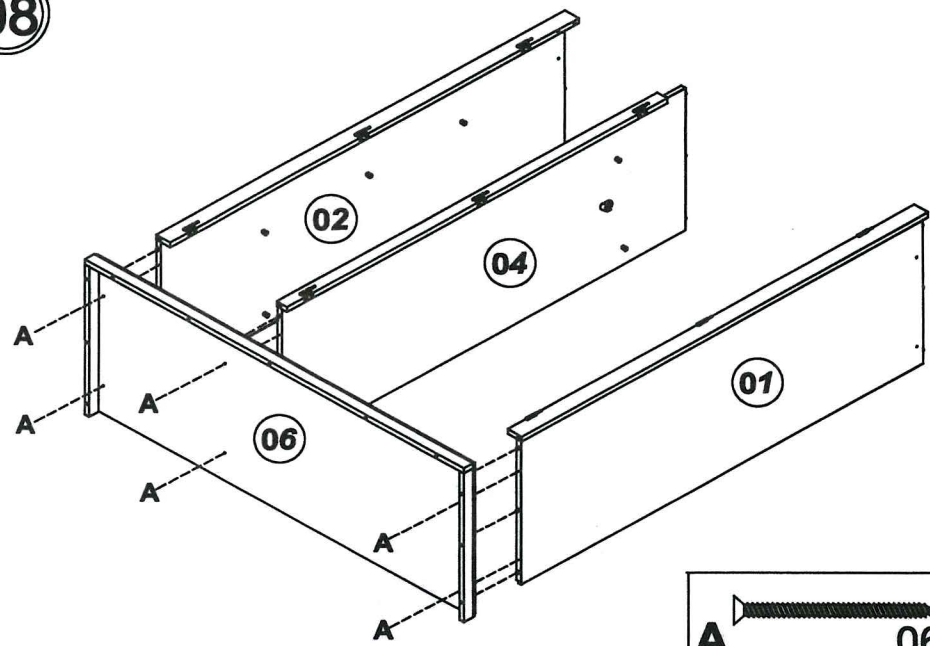
E		04x
N		02x
A		10x

07



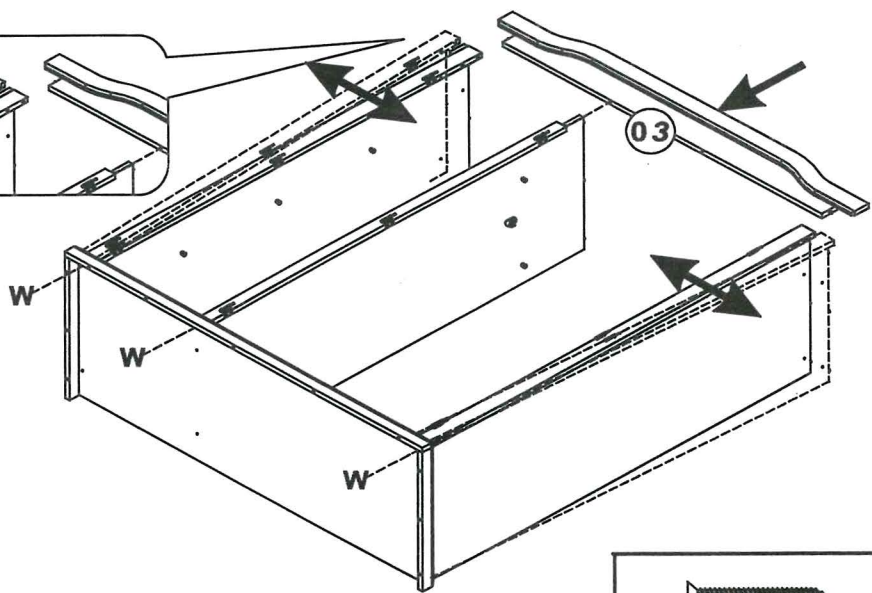
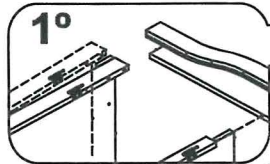
N		01x
B		02x
U		02x
E		02x

08



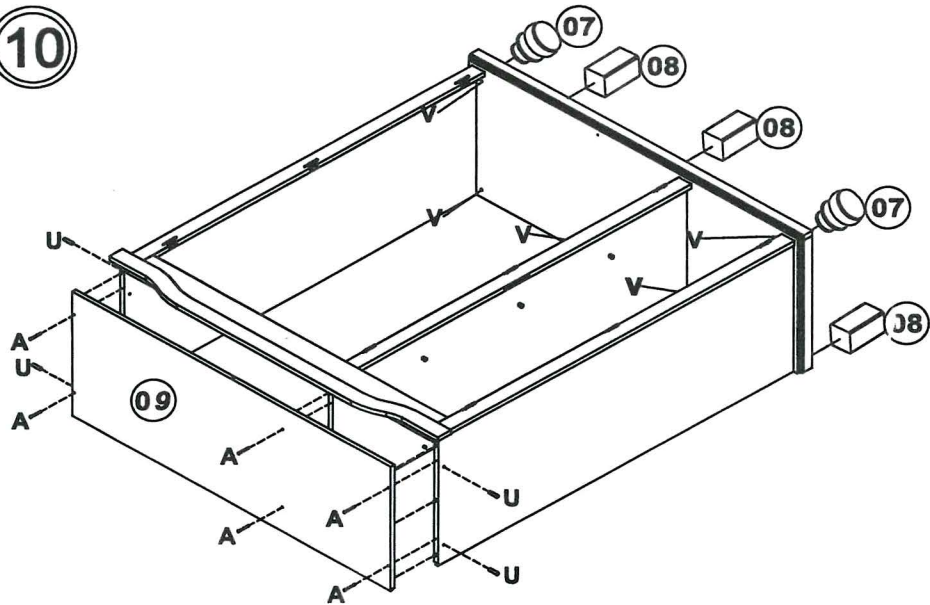
A		06x
----------	---	------------

09



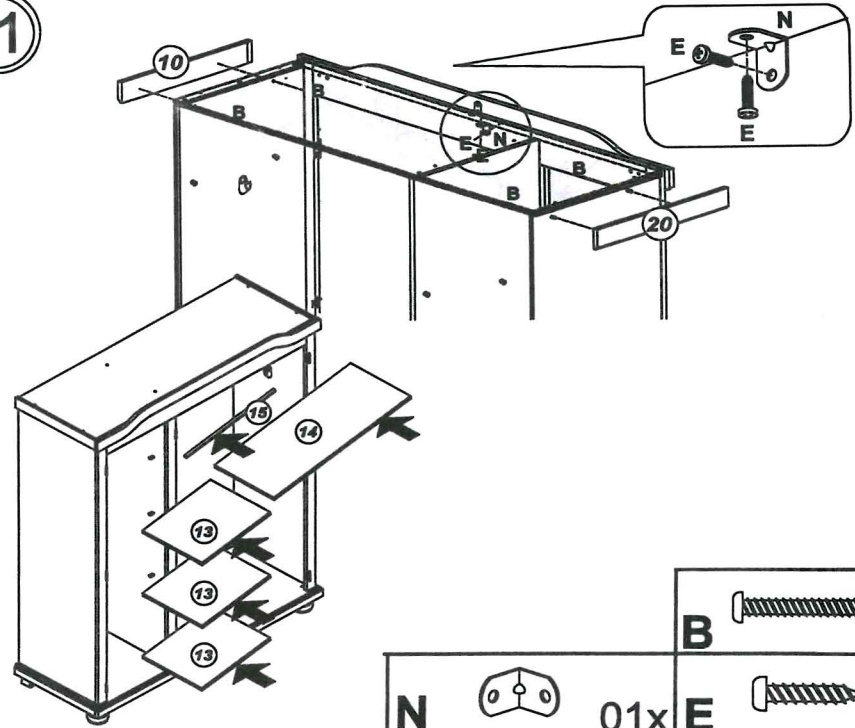
W  03x




10



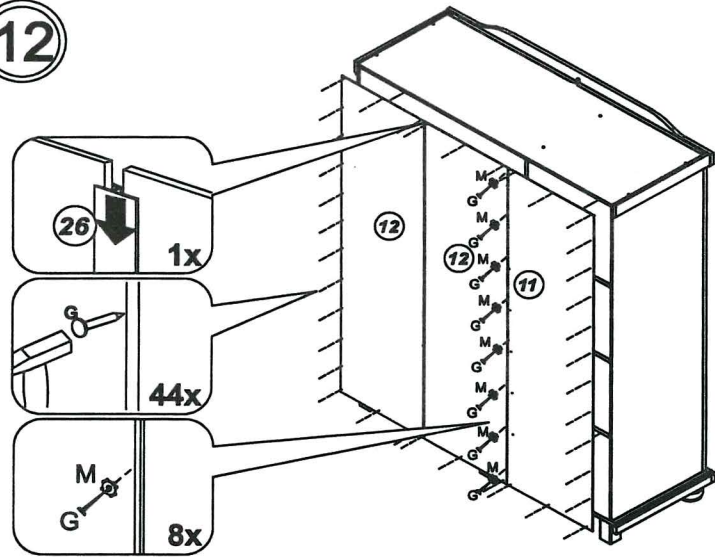
A  06x U  04x V  05x

11



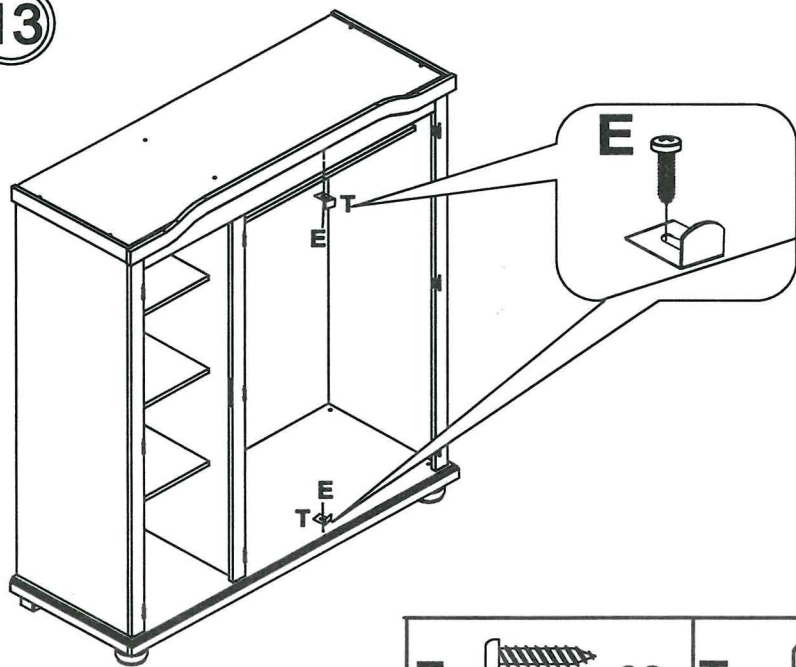
B  04x
N  01x E  02x

12



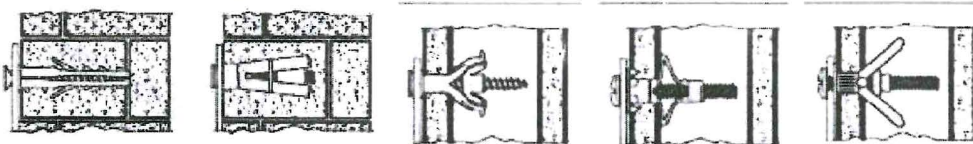
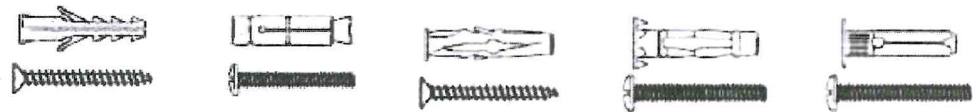
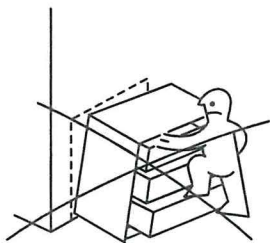
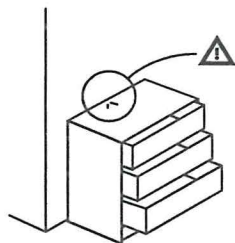
M  08x G  52x

13

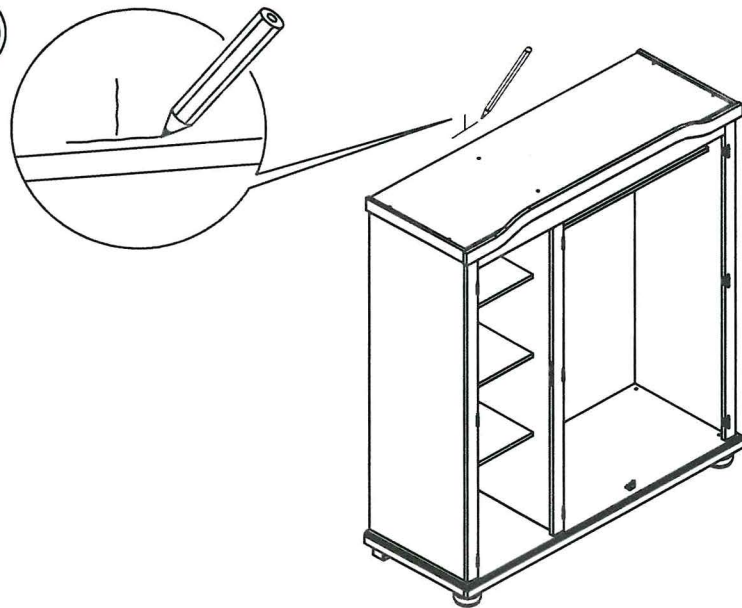


E  02x T  02x

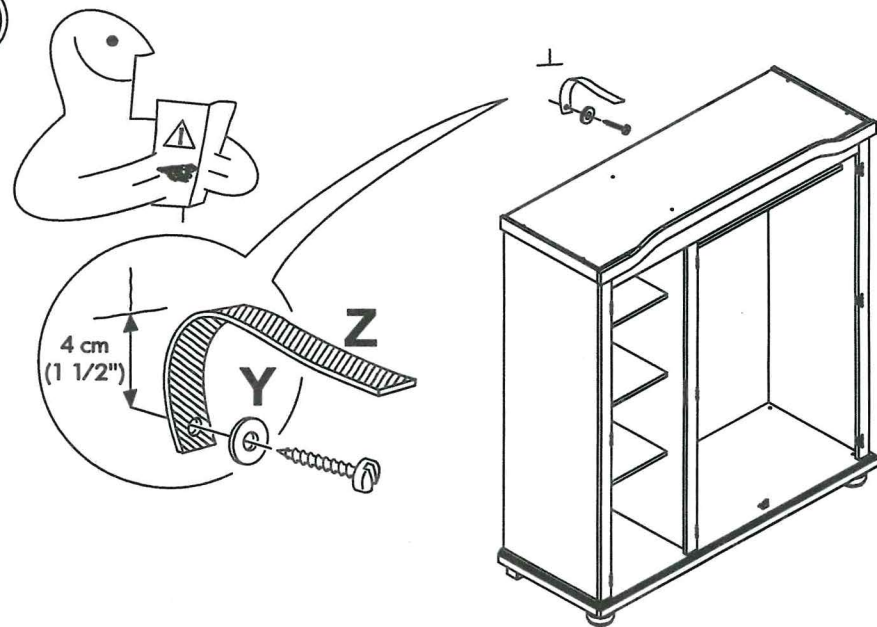
14



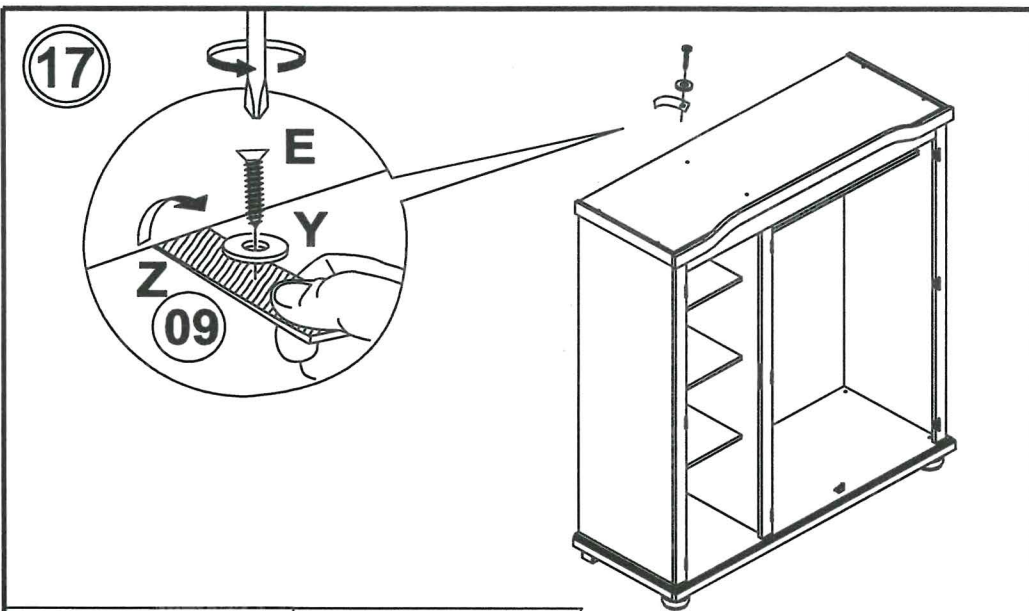
15



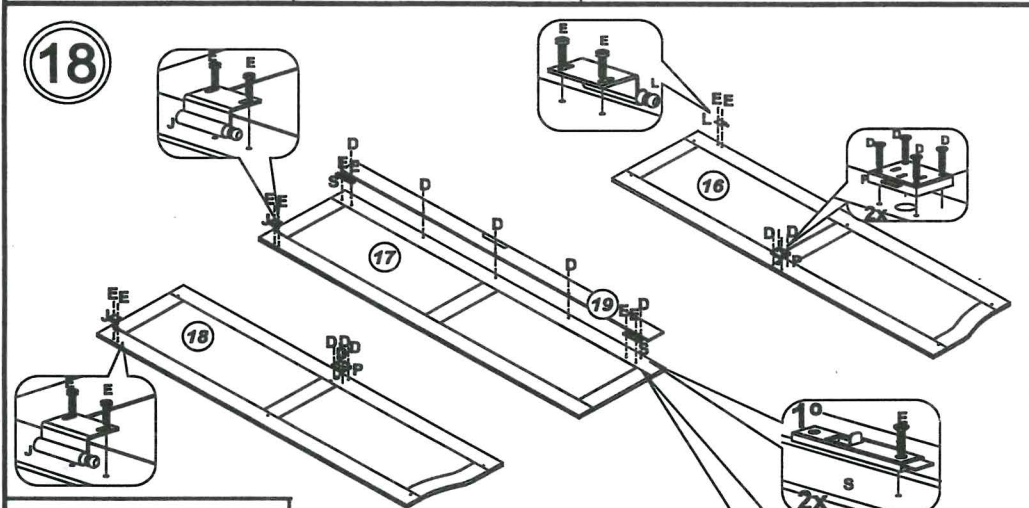
16



Z  01x Y  01x



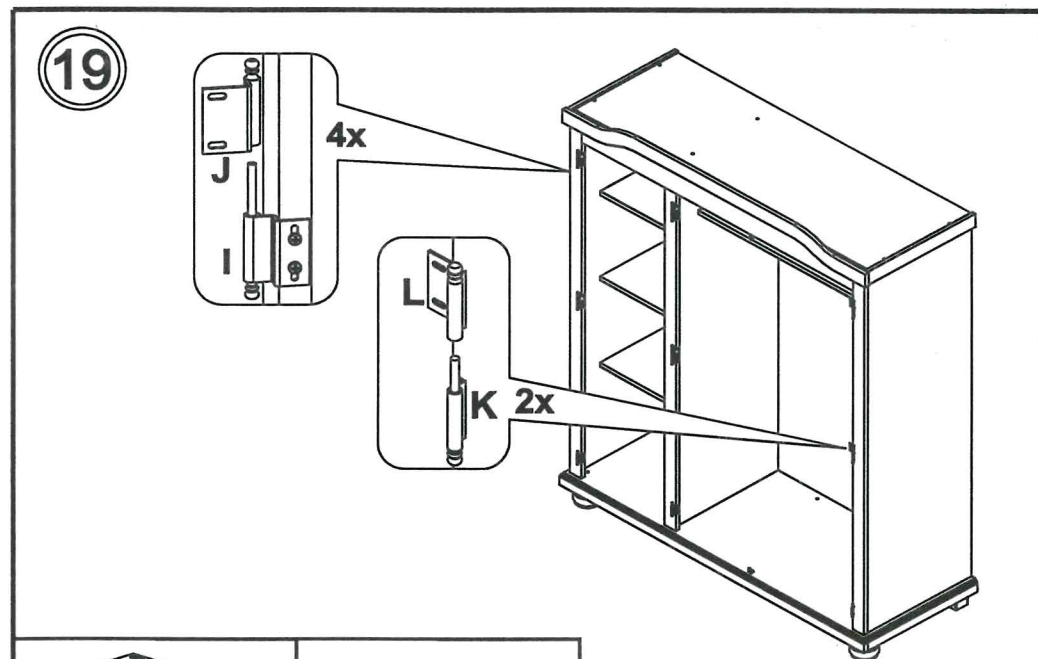
E  01x **Y**  01x



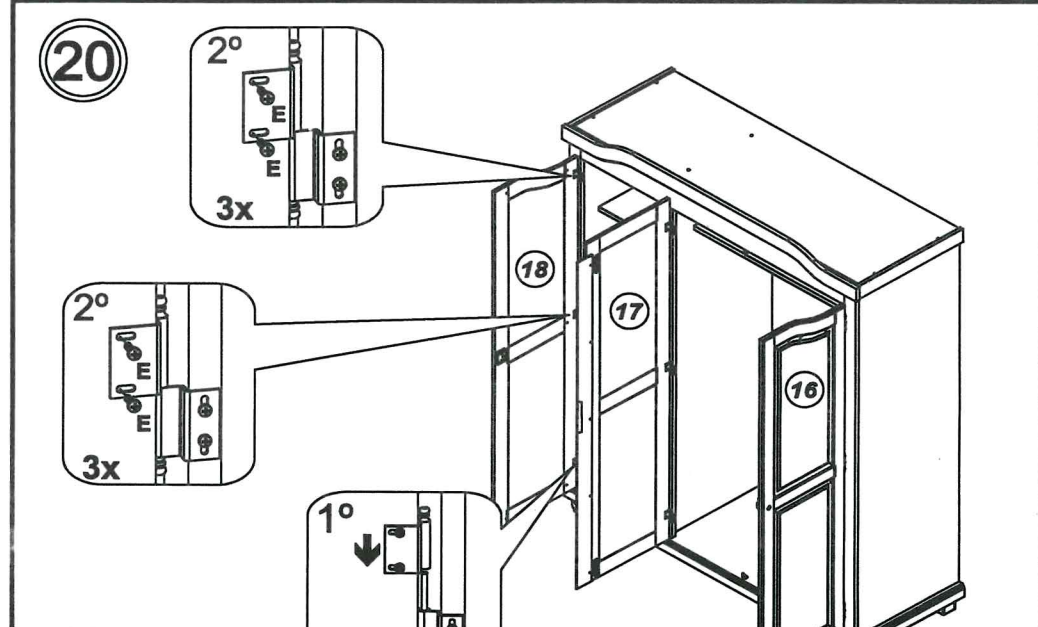
P  02x


D  13x **J**  02x

E  10x **L**  01x **S**  02x

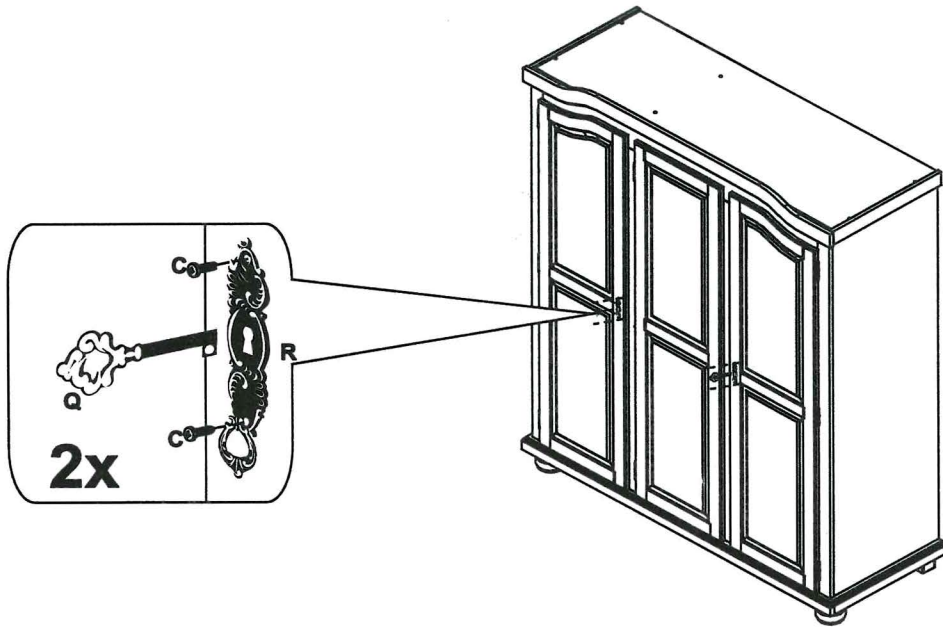


J  04x **L**  02x



E  12x

21



Q  02x

C  04x R  02x